



Product Catalogue 2020



www.cie-group.com
UK Main Commercial Distributor for CYP

AV-over-IP

Matrices

Extenders

Switchers

Splitters

Scalers | Converters

Other AV

Audio

About Us



Award-winning AV distribution from CIE.

CIE is one of the UK's leading specialist Audio Visual distributors, supplying installers and integrators with professional AV products and award-winning system design and pre-/post- sales support services.

A new way of thinking for AV distribution

Established back in 1964 as a specialist audio and electronics component distributor, CIE has become one of the most vibrant and innovative professional Audio Visual distributors in the UK.

As a true 'value-added' distributor, providing our customers with exemplary products and service is the key to our success with a team of true experts in product, specification, design and integration.

We focus on providing comprehensive full-service distribution, including UK-based stock, service and technical support, allowing us to respond to every aspect of the AV system design brief.

CIE remains an independently wholly owned business giving us the ability to react immediately to the individual needs of our customers.

We pride ourselves on the quality of our people. You'll find that we're enthusiastic, innovative and uniquely knowledgeable and will always endeavour to go the extra mile for our customers and their clients.

'We will always endeavour to go the extra mile for our customers.'



The CYP vision is simple; to deliver market-leading connectivity solutions that enhance the capability of Audio Visual products in any installation environment. Our continued dedication and focus has made CYP the market leader in connectivity solutions for both systems integrators and professional installers throughout Europe.

At our core is over 25 years experience and 75 R&D engineers focused on ensuring all CYP solutions deliver the most robust and versatile performance possible using advanced firmware and the latest industry chipsets. This, in addition to our unrivalled product range and full time UK based technical support team, ensures all of our partners have complete confidence when specifying CYP in a wide range of AV installations.

Contents

Section	Page
About Us	02
How to Order	04
Project Design & Management	05
Award Winning AV Distribution	06
AV-over-IP	08 ~ 17
Matrices	18 ~ 40
Extenders	42 ~ 90
Switchers	92 ~ 108
Splitters	110 ~ 128
Scalers Converters	130 ~ 145
Other AV	146 ~ 165
Audio	166 ~ 202
Product Index	204 ~ 206

How to Order

Our sales office is open between the hours of 8.30am and 5.30pm five days a week to service your orders. Our Sales Team is waiting to provide information and support on our full product range, supported by our extensive on-line product and technical database, available 24-7. We can accept your orders by phone, email, online, fax or by post.

And with our advanced e-commerce facility, ordering is available 24 hours a day, every day of the week at: www.cie-group.com.



Call or email us now for your online account login details:

Tel: +44(0)115 9770075

Email: info@cie-group.com

Web: www.cie-group.com

Mail to: CIE-Group Ltd, 3 Widdowson Close, Blenheim Ind Est, Bulwell, Nottingham NG9 8WB, UK



Methods of Payment:

Credit Account

(Contact the sales office for an application form)

Credit or Debit Card

(Most major cards accepted online or via telephone)

Cheque with order

(Clearance required before goods can be released)

Bank Transfer



Delivery Options:

Standard Delivery:

- Orders received before 3.30pm - 1~2 working days *(Registered Carrier)*
 - Orders received post 3.30pm - 2~3 working days *(Registered Carrier)*
- (Charges based on consignment weight)*

Next Day Delivery/Next Day AM/Saturday Delivery/International:

The CIE-Group Sales Team will advise on a range of flexible options to meet your specific needs on delivery times, dates and costs.

AV System Design

Total Project Management from our AV Experts

Let the CIE in-house team of AV experts make your next project as smooth and trouble-free as possible.

CIE is a whole lot more than simply a 'box-shifting' distributor and is a pioneer in the AV industry for value-added distribution - we understand that to compete in this market our customers require the very highest standards of service and support with products and projects.

Total System Support service for your AV project

CIE's award-winning team of AV and systems integration experts provides a unique total project management service to the UK installer/integrator market.

Our AV experts offer a wide range of value-added services above and beyond the expectations of many other distributors including: System Design, Product Specification, Wiring Diagrams, Rack Design & Build, System Configuration, Training and Onsite/Remote System Support.

Our customers can access any or all of these services - many of which are totally free-of-charge - on a project by project basis; benefitting from increased skill levels, specialists in new technologies & integration or simply to increase your resource for pre- and -post sales support.



Our System Design Process

One of the most significant services provided by our AV experts is our free-of-charge system design service - providing our customers with a unique total project management service...

- Consultation / Site Survey
- System Scoping & Design
- Quotation
- AV Rack Build
- Detailed System Architecture
- Delivery to Site
- System Commissioning
- Training



Multiple award winners

Multiple award winners for outstanding service & innovation

CIE are proud of our multi-award winning history, having repeatedly been recognised by the Audio Visual industry as an innovative, forward-thinking and high performing value-added trade distributor.



AV Awards 2019 FINALIST - Specialist AV Company of the Year and Distributor of the Year



Best Training Course - AV-over-IP Accademies



2N Distribution of the Year - Solution Provider Award 2019



Best Security Solution 2019



2N Distribution of the Year - Solution Provider Award 2018



HowToAV.tv - Editor's Choice Award 2016



2016 FINALIST - Distributor of the Year



Distribution Team of the Year 2016



Marketing Professional of the Year 2016



Marketing Team of the Year 2016



2016 FINALIST - Best Training Initiative



Training Initiative of the Year 2016



2016 FINALIST - Distributor of the Year



Outstanding Contribution to the industry 2014



INPUT

HDCP HDM/DVI

HDMI C/PT

A

01. AV-over-IP
IP | SDVoE

CAT6 OUT





AV-over-IP



IP-CS7

IP System Controller & Configurator



IP HDMI

The **IP-CS7** is a powerful and flexible installation solution for controlling the CYP range of IP-6000 and IP-7000 Video-over-IP Extenders. It is capable of simultaneously managing multiple IP extenders across the same network. The IP-CS7 will search and discover all Transmitters and Receivers on the network, enabling simple configuration of a unicast or multicast installation.

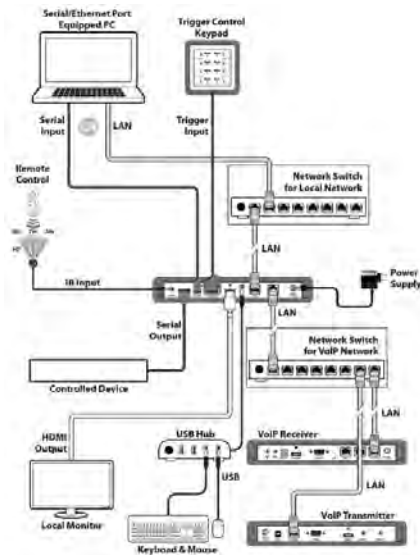
Using the Web GUI, the user has access to a 'Monitor & Control' area for simple drag and drop control and switching of sources. In this mode the user can see a preview of the content being delivered from the source.

Features:

- Enables simple configuration and management of multiple IP6000/7000 devices via Web GUI
- Supports point-to-point (unicast) and many-to-many (multicast) signal routing
- Web GUI status of all connected TX's and RX's including IP Addresses and swapping feature
- PoE and Mains powered
- Simple drag and drop control of input sources with visual preview
- Trigger input allows for simple touch button control of presets
- Standard control via RS-232, Telnet and Web GUI
- Add more TX/RX's to an existing system with ease

Specifications:

Model	IP-CS7
Inputs	2x RJ45 (2x Individual Network IP) 1x Phoenix (3 pin) (1x RS-232) 1x 3.5mm Stereo mini-jack (1x IR Receiver) 1x Phoenix (10 pin) (1x Trigger In (8)) 1x USB Type A (1x Service Port Propriety Data)
Outputs	1x HDMI (1x HDMI Uncompressed AV & Data)
Power	5v/2.6A/PoE/PSU
Dimensions	117(W) x 25(H) x 135(D)mm



IP-7000TX | RX

HDMI or VGA Extender-over-IP Transmitter (TX) | Receiver (RX)



IP HDMI DVI VGA 4K UHD HDCP2.2 RAX

The **IP-7000TX Transmitter** and **IP-7000RX Receiver** allow installers to configure a unique signal distribution system via a dedicated IT network infrastructure. You are in control when deciding how many inputs and end-points you require from the system; whether it be one transmitter to many receivers or many to many, your possibilities are endless. Simplicity is at the core of the IP-7000 system as both the transmitter and receiver support PoE.

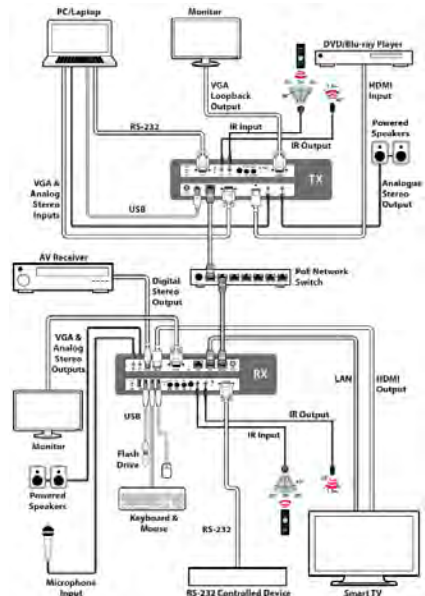
The video and audio can be transmitted via an IP network over distances up to 100 metres through a single network switch. The transmission distance can be further extended up to 100 metres between network switches and supports Gigabit networks.

Features:

- HDCP2.2, HDMI and DVI compatible with HDMI and VGA input
- Supports video transmission over IP up to 100 metres
- Supports resolutions up to 4K2K@30Hz (RGB 4:4:4) or 4K2K@60Hz (YUV 4:2:0)
- Supports pass-through of HD Audio formats (LPCM, Dolby Digital and DTS)
- Independent audio transmission 3.5mm jack
- Features 2 x USB 1.1 and 2 x USB 2.0 ports
- Control via OSD, Telnet, Web GUI, IR Remote and RS-232

Specifications:

Model	IP-7000TX	IP-7000RX
Device	Transmitter	Receiver
Inputs	1x HDMI (1x HDMI Uncompressed AV & Data) 1x 15pin Dsub 1x 9pin Dsub (1x RS-232 Data) 1x USB Type A 1x 3.5mm Stereo mini-jack (1x Analog Stereo(L/R))	1x RJ45 (1x PoE HDMI & Propriety Data) 1x 3.5mm Stereo mini-jack (1x Microphone) 1x 9pin Dsub (1x RS-232 Data)
Outputs	1x RJ45 (1x PoE HDMI & Propriety Data) 1x 3.5mm Stereo mini-jack (1x Analog Stereo(L/R)) 1x 3.5mm Stereo mini-jack (1x IR Emitter) 1x 15pin Dsub (1x VGA Loop RGBHV)	1x HDMI (Uncompressed AV & Data) 1x 15pin Dsub (1x VGA) 2x RJ45 (2x LAN Servng) 1x 3.5mm Stereo mini-jack (Stereo(L/R)) 1x Toslink (1x Optical 2 Channel LPCM / DTS) 4x USB Type B (Propriety Data) 1x 3.5mm Stereo mini-jack (1x IR Emitter)
Power	PoE or 5v/2.6A PSU	
Dimensions	108(W) x 25(H) x 231(D) mm	



IP-6000TX

HDMI or VGA over IP Transmitter with USB, 4K, HDCP2.2



IP HDMI 4K UHD HDCP2.2

The **PU-IP6000TX Transmitter** allows you to transmit HDMI or VGA signals over CAT5e/6/7 network cable. This extender is multi-function transmitter that supports the transmission of Ultra High-Definition signals (up to 4K2K@30Hz, YUV444) for distances up to 100 metres. This system is perfect for both residential and commercial installation environments.

The video and audio can be transmitted via an IP network for distances up to 100 metres through a single network switch. The transmission distance can be further extended up to 100 metres between network switches and supports Gigabit networks.

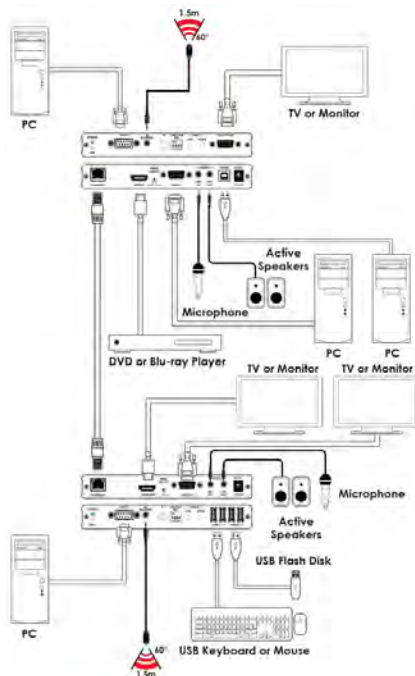
This system also features bi-directional IR pass-through, analogue line level in/out, and microphone input provide the user with variety of audio options. The USB function allows the system to act like USB hub which, when combined with the VGA input/Output feature, it allows the system to be used as a KVM switch. Adding extra devices allows the user to cascade the system enabling them to extend the transmission distance without signal loss or introducing delay. Control is via On-screen Display (OSD), Telnet and WebGUI commands.

Features:

- HDCP2.2, HDMI and DVI compatible
- Supports HDMI and VGA inputs and outputs
- Supports video transmission over IP up to 100 metres
- Supports HDTV resolutions up to 4K2K@30Hz (YUV444) or 4K2K@60Hz (YUV420)
- Supports pass-through of HD audio formats (PCM 2CH)
- Supports audio line in for audio input to the transmitter and line output to an amplifier or AV Receiver
- Supports microphone input on the receiver unit
- Supports USB keyboard and mouse
- Control via OSD, Telnet and WebGUI
- Supports IR and RS-232 bypass

Specifications:

Model	IP-6000TX
Inputs	1x HDMI (1x HDMI - Uncompressed AV and Data) 1x 15pin Dsub (1x VGA - RGBHV) 1x 3.5mm Stereo mini-jack (1x Analogue - Stereo(L/R)) 1x USB Type B (1x USB Hub - Propriety Data) 1x 9pin Dsub (1x RS-232 Data)
Outputs	1x RJ45 (1x IP - Encoded AV & Data stream) 1x 15pin Dsub (1x VGA bypass - RGBHV) 1x 3.5mm Stereo mini-jack (1x Analogue - Stereo(L/R)) 1x 3.5mm Stereo mini-jack (1x Infra Red Emitter)
PSU	5v/2.6A
Dimensions	182(W) x 71(H) x 280(D) mm



IP-6000RX

HDMI or VGA over IP Receiver with USB, 4K, HDCP2.2



IP HDMI 4K UHD HDCP2.2

The **PU-IP6000RX Receiver** allows you to receive HDMI or VGA signals over CAT5e/6/7 network cable. This extender is a multi-function receiver that supports Ultra High-Definition signals (up to 4K2K@30Hz, YUV444) for distances up to 100 metres. This system is perfect for both residential and commercial installation environments.

The video and audio can be transmitted via an IP network for distances up to 100 metres through a single network switch. The transmission distance can be further extended up to 100 metres between network switches and supports Gigabit networks.

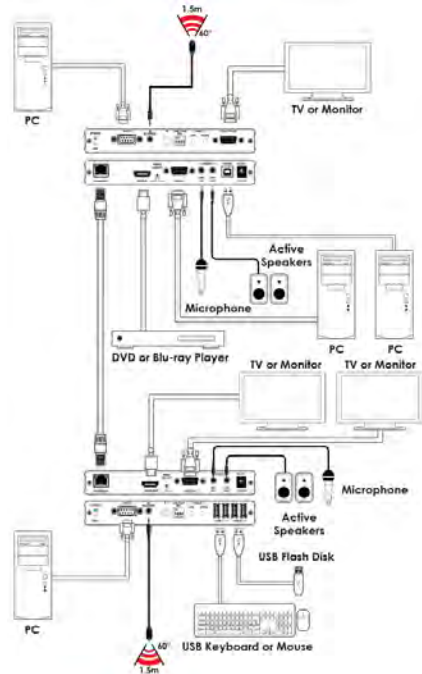
This system also features bi-directional IR pass-through, analogue line level in/out, and microphone input provide the user with variety of audio options. The USB function allows the system to act like USB hub which, when combined with the VGA input/Output feature, it allows the system to be used as a KVM switch. Adding extra devices allows the user to cascade the system enabling them to extend the transmission distance without signal loss or introducing delay. Control is via On-screen Display (OSD), Telnet and WebGUI commands.

Features:

- HDCP2.2, HDMI and DVI compatible
- Supports HDMI and VGA inputs and outputs
- Supports video transmission over IP up to 100 metres
- Supports HDTV resolutions up to 4K2K@30Hz (YUV444) or 4K2K@60Hz (YUV420)
- Supports pass-through of HD audio formats (PCM 2CH)
- Supports audio line in for audio input to the transmitter and line output to an amplifier or AV Receiver
- Supports microphone input on the receiver unit
- Supports USB keyboard and mouse
- Control via OSD, Telnet and WebGUI
- Supports IR and RS-232 bypass

Specifications:

Model	IP-6000RX
Inputs	1x RJ45 (1x IP - Encoded AV & Data stream) 1x 3.5mm Stereo mini-jack (1x Microphone)
Outputs	1x HDMI (1x HDMI - Uncompressed AV and Data) 1x 15pin Dsub (1x VGA - RGBHV) 1x 9pin Dsub (1x RS-232 Data) 1x 3.5mm Stereo mini-jack (1x Infra Red Emitter) 2x USB Type A (2x USB 2.0 - Proprietary Data) 2x USB Type A (2x USB 1.1 Proprietary Data)
PSU	5v/2.6A
Dimensions	182(W) x 71(H) x 280(D) mm



SDV-FTRX

SDVoE 4K UHD HDMI-over-Fiber Transceiver



SDVoE HDMI DisplayPort Fiber 4K UHD HDCP2.2

The **SDV-FTRX** is designed to transmit 4KHDR (6G) signals over a 10G IP Fiber Network with almost zero latency. Every Transceiver can be configured to function as either a Transmitter or a Receiver, providing additional flexibility for any installation. Using a sophisticated ultra-light compression (lossless for most content), it's the perfect solution for extending 4K HDR video (HDMI or DisplayPort) and data. Advanced HDMI content such as HDR (High Dynamic Range), 10-bit colour and multi-channel HD Bitstream audio can be transmitted in pass-through mode. The use of interchangeable SFP+ modules allows for transmission distances of up to 30km. Multiple control and data signals may also be transmitted along with the audio and video, including IR, USB (for KVM) and Ethernet.

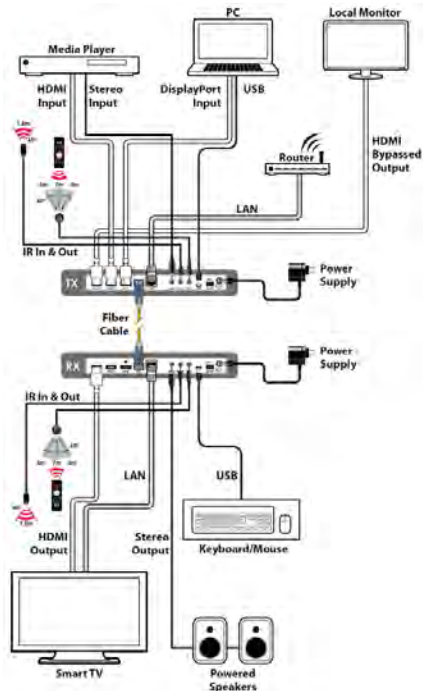
Multiple Transceivers may be combined with one or more 10-Gigabit fiber Ethernet switches and the units can be used together to form a distributed video matrix, a multi-viewer system or a video wall system adding to their flexibility in large event installations (Control Hardware required - see **SDV-CS8**).

Features:

- HDMI 2.0, DVI 1.0, HDCP2.2 and HDCP 1 compliant
- Can be configured to function as either a Transmitter or a Receiver
- 1 HDMI and 1 DisplayPort input
- 1 HDMI output (Functions as local monitor output in Transmitter mode)
- Ultra-light compression, lossless for most content
- Transmission up to 30km
- Independent breakaway A/V matrix switching
- Supports pass-through of 10/12-bit HDR sources
- Supports pass-through of audio formats including LPCM 2.0/5.1/7.1, Bitstream and HD Bitstream from HDMI or DisplayPort sources
- Analog stereo audio extension, insertion and extraction
- Bi-directional LAN, IR, RS-232 and USB 2.0 extension

Specifications:

Model	SDV-FTRX
Inputs	1x HDMI (1x HDMI Uncompressed AV & Data) 1x SFP + (1x RX Mode - SDVoE fiber LC/PC-LC/PC Duplex MM OM3) 1x 3.5mm Stereo mini-jack (1x TX mode - Analogue Stereo(L/R)) 1x 3.5mm Stereo mini-jack (1x IR Receiver) 1x Phoenix (3 pin) (1x RS-232) 1x DisplayPort (1x Uncompressed AV) 1x RJ45 (1x GbE LAN Servng) 1x USB Mini B (1x Service Port Propriety Data)
Outputs	1x HDMI (1x HDMI Uncompressed AV & Data) 1x SFP + (1x TX mode - SDVoE fiber LC/PC-LC/PC Duplex MM OM3) 1x 3.5mm Stereo mini-jack (1x RX mode - Analogue Stereo(L/R)) 1x 3.5mm Stereo mini-jack (1x IR Emitter)
Power	12V/3A/PSU
Dimensions	231(W) x 25(H) x 158(D)mm



SDV-CTR_X

SDVoE 4K UHD HDMI-over-Ethernet Transceiver



SDVoE HDMI 4K UHD HDCP2.2

The **SDV-CTR_X** is designed to transmit 4KHDR (6G) signals over a 10G IP Ethernet Network with almost zero latency. Every Transceiver can be configured to function as either a Transmitter or a Receiver, providing additional flexibility for any installation. Using a sophisticated ultra-light compression, it's the perfect solution for extending 4KHDR video and data. Advanced HDMI content such as HDR (High Dynamic Range), 10-bit colour and multi-channel HD Bitstream audio can be transmitted in pass-through mode. Multiple control and data signals may also be transmitted along with the audio and video, including IR and Ethernet.

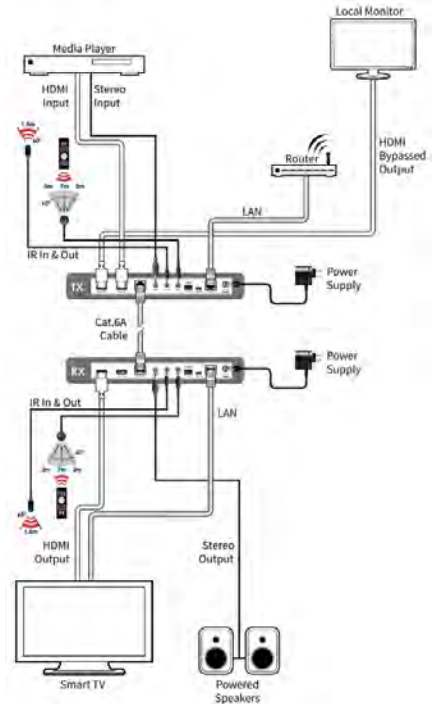
Multiple Transceivers may be combined with one or more 10-Gigabit Ethernet switches and the units can be used together to form a distributed video matrix, a multi-viewer system or a video wall system adding to their flexibility in large event installations (Control Hardware required - see **SDV-CS8**).

Features:

- HDMI 2.0, DVI 1.0, HDCP2.2 and HDCP 1 compliant
- Can be configured to function as either a Transmitter or a Receiver
- 1 HDMI output (Functions as local monitor output in Transmitter mode)
- 1x analogue stereo jack (switchable between input/output mode)
- Ultra-light compression, lossless for most content
- Independent breakaway A/V matrix switching
- Supports pass-through of 10/12-bit HDR sources
- Supports pass-through of audio formats including LPCM 2.0/5.1/7.1, Bitstream and HD Bitstream from HDMI sources
- Analogue stereo audio extension, embedding and de-embedding
- Bi-directional LAN, IR, RS-232 and USB 2.0 extension
- Signal transmission interfaces with 10-Gigabit Ethernet switches

Specifications:

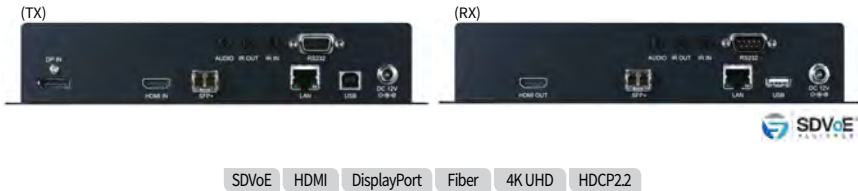
Model	SDV-CTR _X
Inputs	1x HDMI (1x HDMI Uncompressed AV & Data) 1x 3.5mm Stereo mini-jack (1x TX mode - Analogue Stereo(L/R)) 1x 3.5mm Stereo mini-jack (1x IR Receiver) 1x Phoenix (3 pin) 1x RJ45 (1x GbE LAN Servng) 1x USB Mini B (1x Service Port Propriety Data) 1x RJ45 (1x RX mode - SDVoE Cat HDMI & Propriety Data)
Outputs	1x HDMI (1x HDMI Uncompressed AV & Data) 1x 3.5mm Stereo mini-jack (1x RX mode - Analogue Stereo(L/R)) 1x 3.5mm Stereo mini-jack (1x IR Emitter) 1x RJ45 (1x TX mode - SDVoE Cat HDMI & Propriety Data)
Power	12v/3A/PSU
Dimensions	231(W) x 25(H) x 108(D)mm





SDV-FTX | FRX

HDMI/DisplayPort-over-Fiber Transmitter (TX) | Receiver (RX)



SDVoE HDMI DisplayPort Fiber 4K UHD HDCP2.2

The **SDV-FTX Transmitter** | **SDV-FRX Receiver** set are designed to deliver high-quality, IP routable, AV extension with minimum latency. By using a sophisticated ultra-light compression technology, it's the perfect solution for extending 4K audio/video signals (HDMI or DisplayPort) and data over long distances. Advanced HDMI content such as HDR (High Dynamic Range), 10-bit colour and multi-channel HD Bitstream audio can be transmitted in pass-through mode. The use of interchangeable, field replaceable, SFP+ modules allows for transmission distances of up to 30km (maximum transmission distance depends on the SFP+ modules used). Multiple control and data signals may also be transmitted along with the audio and video, including IR, RS-232, USB (for KVM) and Ethernet.

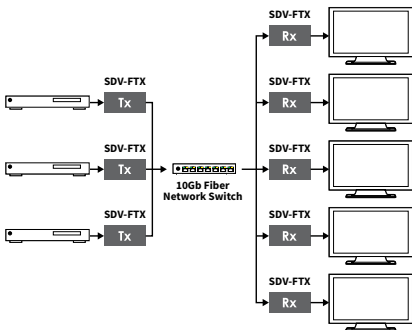
When combined with the optional control software, the functionality of the extenders expands exponentially. Multiple Transmitters and Receivers may be combined with one or more 10Gb fiber Ethernet switches and the units can be used together to form a distributed video matrix, a multi-viewer system or a video wall system adding to their flexibility in large commercial installations.

Features:

- HDMI 2.0 and DVI 1.0 compatible
- HDCP2.2 and HDCP 1.4 compliant
- IP switchable with minimum latency
- Ultra-light compression, lossless for most content
- Extend up to 30km
- Independent breakaway A/V matrix switching
- Video wall generation
- Multi-view configuration
- Supports pass-through of 10/12-bit HDR sources
- Supports pass-through of audio formats including LPCM 2.0/5.1/7.1, Bitstream and HD Bitstream from HDMI or DisplayPort sources
- Analogue stereo audio extension, Embedding and De-embedding
- Bi-directional RS-232, IR and USB 2.0 extension

Specifications:

Model	SDV-FTX	SDV-FRX
Device	Transmitter	Receiver
Inputs	1x HDMI (1x HDMI Uncompressed AV & Data) 1x DisplayPort (1x Uncompressed AV) 1x 3.5mm Stereo mini-jack (1x Analogue Stereo(L/R)) 1x 9pin Dsub (1x RS-232 Data) 1x 3.5mm Stereo mini-jack (1x IR Receiver) 1x USB Type B (1x Propriety Data)	1x SFP + (1x Fiber LC/PC-LC/PC Duplex MM OM3) 1x 3.5mm Stereo mini-jack (1x IR Receiver)
Outputs	1x SFP + (1x Fiber LC/PC-LC/PC Duplex MM OM3) 1x 3.5mm Stereo mini-jack (1x IR Emitter)	1x HDMI (1x HDMI Uncompressed AV & Data) 1x 3.5mm Stereo mini-jack (1x Analogue Stereo(L/R)) 1x USB Type A (1x Propriety Data) 1x RJ45 (1x LAN Sensing) 1x 9pin Dsub (1x RS-232 Data) 1x 3.5mm Stereo mini-jack (1x IR Emitter)
Power		12v/3A/PSU
Dimensions		166(W) x 44(H) x 213(D) mm



SDV-CS8

SDVoE Controller



SDVoE HDMI 4K UHD HDCP2.2

The **SDV-CS8** is a powerful and flexible solution for controlling multiple SDVoE within the same network. The SDV-CS8 provides effortless configuration of SDVoE Transmitters, Receivers and Transceivers to easily define and configure channel routing using the WebGUI. It is also possible to define and switch routes using customized groups or presets over multiple video zones.

Additionally, this unit supports controlling the matrix, video wall and multiviewer modes of connected SDVoE extenders. Dependent on the scaler mode, this product supports instant switching between selected video transmitters.

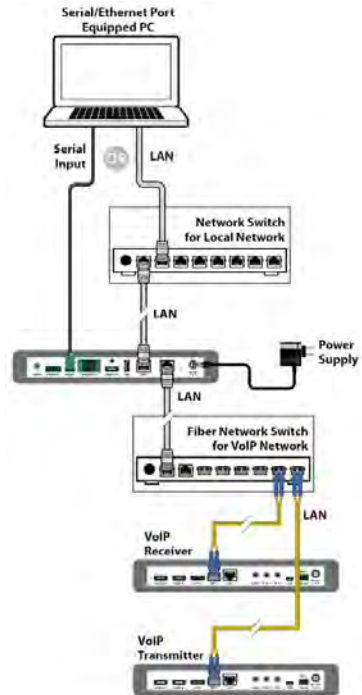
The settings of all connected Transmitter/Receiver units, including IP address, Subnet mask and extender status are clearly displayed within the WebGUI. The WebGUI is easily accessed via a web browser over a normal network connection or by connecting an HDMI display and USB keyboard & mouse to the SDV-CS8.

Features:

- Enables the management and configuration of multiple compatible SDVoE extenders through a single WebGUI
- Control over matrix, video wall and multi-viewer modes using WebGUI presets
- Rapid switching time between transmitters
- Definable display groups
- WebGUI clearly displays the status of all connected Transmitters and Receivers, including IP address, channel selection
- HDMI output displays the WebGUI and system status
- Dual LAN ports enable control over the local network as well as independent access to the controller separate to the distribution network
- Supports the use of a USB mouse and keyboard providing control of the WebGUI (Optional)
- Can be powered directly by Power-over-Ethernet when connected to an Ethernet switch that follows the 802.3af PoE standard
- Trigger Control Keypad support for single-button preset activation
- Standard control is available via WebGUI (remote or local), RS-232, Telnet, IR Remote and triggers

Specifications:

Model	SDV-CS8
Inputs	2x RJ45 (2x Individual Network IP) 1x Phoenix (3 pin) (1x RS-232) 1x 3.5mm Stereo mini-jack (1x Infrared Receiver) 1x Phoenix (10 pin) (1x Trigger In (8)) 1x USB Type A (1x Service Port Propriety Data)
Outputs	1x HDMI (1x HDMI Uncompressed AV & Data)
Power	PoE or 5v/2.6A
Dimensions	135(W) x 25(H) x 117(D) mm



02. Matrices

HDBaseT | HDMI | Modular





Matrices



MOD-X

16 x 16 HDMI HDBaseT Modular Matrix with Audio Matrixing



CYP's most flexible modular matrix yet, the all new **Mod-X** features up to 16 inputs and 16 outputs in multiples of four, allowing integrators to set up bespoke distribution systems across a wide range of connectivity options.

The new CYP Mod-x Matrix is available with a choice of HDBaseT, HDBaseT Lite, HDMI and VGA input/output boards, Audio De-embedding, redundant power supplies and RS-232, Telnet, IP and IR control.

- HDMI2.0a and DVI 1.0 compliant
- HDCP2.2 Compliant
- 4 I/O based modular card system up to a maximum of 16 inputs and 16 outputs
- Independent audio I/O matrixing
- Supports UHD resolutions up to 3840 x 2160 @ 60Hz (4:4:4, 8bit) & 4096 x 2160 @ 60Hz (4:4:4, 8bit) plus HDR and Dolby Vision Output video downscaling function, 4K to 1080p
- Advanced EDID management
- Supports pass-through of LPCM 7.1 and all HBR audio codecs such as Dolby Amos, Dolby TrueHD, Dolby Digital Plus, DTS-X, DTS-HD Master Audio and DTS-HD High Resolution Audio
- IP control via Telnet, UDP and the built-in web server interface
- Field firmware updatable



PUV-1082 Matrix Series

10 x 10 HDMI HDBaseT Matrices with Audio Matrixing

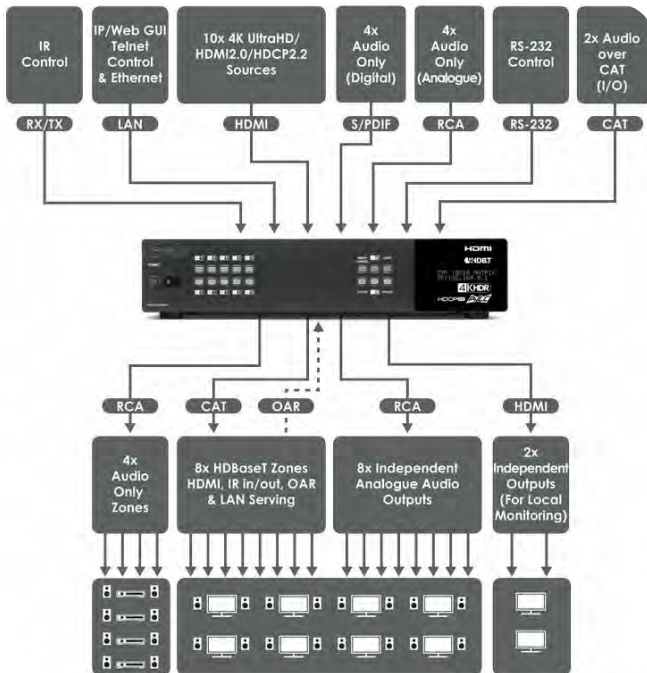


CYP's **PUV-1082 Series** is their most advanced 10 In/10 Out HDMI/HDBaseT Matrix product range for professional control and distribution of multiple sources to multiple displays.

All 3 models feature 10 HDMI source inputs to 8 HDBaseT outputs, plus 2 independent HDMI2.0 outputs.

Choosing the right PUV-1082 Matrix Model:

- **PUV-1082-PRO:** Full HDBaseT outputs with all 5Play functionality over 100 metre transmission distance. Plus AVLC technology to support 18Gbps transmission (see page 22)
- **PUV-1082-4K22:** Full HDBaseT outputs with all 5Play functionality over 100 metre transmission distance (10.2Gbps limitation) (see page 23)
- **PUV-1082PL-4K-22:** HDBaseT Lite outputs transmit 4K UHD video, audio & control signals up to 60 metres (see page 24)





PUV-1082-PRO

10 x 10 HDMI HDBaseT AVLC Matrix with Audio Matrixing



HDBaseT 5Play

HDMI

4K UHD

HDCP2.2

18Gbps

AVLC



The **PUV-1082-PRO Matrix** supports the transmission of video (resolutions up to 4K UHD 10/12-bit HDR and Dolby Vision, HDCP2.2, HDMI2.0) and multi-channel digital audio from 10 HDMI sources to 8 HDBaseT outputs and 2 independent HDMI2.0 outputs (18Gbps).

Despite the 10.2Gbps limitation of HDBaseT technology, this groundbreaking product enables data rates of up to 18Gbps to be transmitted using AVLC (Adaptive Visually Lossless Compression) Technology.

The transmitter enables 4K UHD sources up to and including 4K@60Hz (4:4:4 8-bit) as well as 10/12 bit sources with HDR to be extended to a compatible receiver. The result is a perfect 4K 6G visually lossless image delivered to the display screen.

The PUV-1082-PRO supports independent video output scaling on all of the HDBaseT and HDMI outputs. This is particularly useful when transmitting a 4KHDR image from the matrix to a standard 1080p HD display within an AV setup.

The PUV-1082-PRO incorporates an independent audio matrix with 14 audio outputs and 10 audio inputs. These outputs and inputs can also be used for de-embedding or embedding the HDMI Audio. The audio Cat connections, along with compatible bi-directional audio modules (**PU-305BD-RX** and **PU-305BDA-RX**) allow integration with remote sources and remote audio zones.

Features:

- AVLC (Adaptive Visually Lossless Compression)
- HDMI 2.0, HDCP1.4 and HDCP2.2 compliant
- Routes ten HDMI sources to ten displays (8x HDBaseT, 2x HDMI)
- HDBaseT 5Play convergence: High-Definition video and audio, 100BaseT Ethernet, PoH (Power-over-HDBaseT) and control (Bi-Directional IR and RS-232 pass through)
- Supports up to 4K UHD (18Gbps, 4K @ 50/60Hz 4:4:4 8-bit) video input
- Supports 10-bit and 12-bit HDR (High Dynamic Range)
- Supports output resolutions up to 4K @ 50/60Hz (4:4:4 8-bit)
- 4K 3G timings and 1080p up to 100 metres, 4K 6G timings up to 70 metres
- Supports pass-through of HD audio formats
- Supports audio matrix functionality
- Supports Digital-to-Analogue Conversion (DAC) and Analogue to Digital Conversion (ADC) for audio integration
- Supports on-board audio-over-Cat inputs and outputs for transmission up to 150 metres
- Supports Volume, Mute, Treble, Bass and Audio delay for lip-sync on direct audio outputs
- Optical Audio Return (OAR)
- Advanced internal and external EDID management
- Control is via RS-232, remote control, on-panel control and IP Control (Telnet and Web GUI)

Specifications:

Model	PUV-1082-PRO
Inputs	10x HDMI (10x HDMI Uncompressed AV & Data) 8x RCA (4x Configurable Analogue audio Stereo (L/R)) 2x Toslink (2x Configurable Digital Optical audio DTS / Dolby Digital / 2 Channel LPCM / Dolby Digital Plus) 2x RCA (2x Configurable Digital Coax audio DTS / Dolby Digital / 2 Channel LPCM / Dolby Digital Plus) 2x RJ45 (2x Digital Audio Propriety Data) 9x 3.5mm Stereo mini-jack (9x IR Receiver) 1x RJ45 (1x IP Control / LAN Serving) 1x 9pin Dsub (1x RS-232 Data)
Outputs	8x RJ45 (8x HDBaseT AVLC HDMI & Propriety Data) 2x HDMI (2x HDMI Uncompressed AV & Data) 8x RCA (4x Analogue Stereo (L/R)) 2x RJ45 (2x Digital Audio Propriety Data) 11x 3.5mm Stereo mini-jack (11x IR Emitter)
Power	24w/6.25A/PoH
Dimensions	438(W) x 88(H) x 316(D)mm

PUV-1082-4K22

10 x 10 HDMI HDBaseT Matrix with Audio Matrixing



HDBaseT 5Play HDMI 4K UHD HDCP2.2



The **PUV-1082-4K22** HDMI/HDBaseT Matrix supports the transmission of video (resolutions up to 4K2K@60Hz, HDCP2.2, HDMI2.0) and multi-channel digital audio from 10 HDMI sources to 8 HDBaseT outputs and 2 independent HDMI2.0 outputs. HDBaseT outputs allow transmission via a single Cat5e/6/7 cable up to 100 metres, whilst the independent HDMI outputs support cable lengths of up to 10 metres. This matrix supports high resolution digital audioformats such as LPCM 7.1Ch, Dolby TrueHD, Dolby Digital Plus, Dolby Atmos and DTS-HD Master Audio as well as 3D video content.

This matrix incorporates an independent audio matrix with 14 audio outputs and 10 audio inputs. These outputs and inputs can also be used for de-embedding HDMI audio to the audio outputs and embedding audio to the HDBaseT and HDMI outputs. The audio Cat connections, along with compatible bi-directional audio modules (**PU-305BD-RX** and **PU-305BDA-RX**) allow integration with remote sources and remote audio zones.

LAN connectivity provides a 100BaseT network for smart TVs or games consoles in every zone. The Power-over-HDBaseT (PoH) function provides power to compatible receivers.

Features:

- HDMI 2.0, HDCP1.4 and HDCP2.2 compliant
- Routes ten HDMI sources to ten displays using eight HDBaseT outputs and two independent or mirrored HDMI outputs
- HDBaseT 5Play convergence: High-Definition video and audio, 100BaseT Ethernet, PoH (Power-over-HDBaseT) and control (Bi-Directional IR and RS-232 pass through)
- Supported HDBaseT resolutions: VGA-WUXGA, 480i-1080p, 4K UHD @ 24/25/30Hz (RGB 4:4:4 and YUV 4:4:4), 4K UHD @ 60Hz (YUV 4:2:0), dependent upon the output display's EDID settings
- Supports resolutions up to 4K@60 (YUV 4:4:4) on HDMI output ports
- Supports automatic 4K@60 YUV 4:4:4 to YUV 4:2:0 conversion for HDBaseT outputs
- 4K2K and 4K UHD signals can be transmitted up to 70 metres via Cat5e/6 and 100 metres via Cat6a/7
- Supports pass-through of HD audio format
- Supports audio matrix functionality enabling full audio management of the system including HDBaseT audio zone selection, fully independent audio-only zones and HDMI audio embedding and de-embedding
- Supports Digital-to-Analogue Conversion (DAC) and Analogue-to-Digital Conversion (ADC) for audio integration
- Supports on-board audio-over-Cat inputs and outputs for transmission up to 150 metres
- Supports Volume, Mute, Treble, Bass and Audio delay for lip-sync on direct audio outputs
- HDBaseT outputs with Optical Audio Return (OAR) system
- Audio mixer function
- Advanced internal and external EDID management with 4 sets of configurable EDID settings
- Control is via RS-232, remote control, on-panel control and IP Control (Telnet and Web GUI)

Specifications:

Model	PUV-1082-4K22
Inputs	10x HDMI (10x HDMI - Uncompressed AV & Data) 8x RCA (4x Configurable Analogue Audio-Stereo (L/R)) 2x Toslink (2x Configurable Digital Audio - 2 Channel LPCM / DTS / Dolby Digital) 2x RCA (2x Configurable Digital Audio - 2 Channel LPCM / DTS / Dolby Digital) 2x RJ45 (2x Bi-directional Audio plus Propriety Data) 9x 3.5mm Stereo mini-jack (9x IR Receiver) 1x RJ45 (1x IP Control / LAN Serving) 1x 9pin Dsub (1x RS-232 Data)
Outputs	8x RJ45 (8x HDBaseT - HDMI & Propriety Data) 16x RCA (8x Mirrored HDBaseT audio - Stereo (L/R)) 8x RCA (4x extended audio-only zones - Stereo (L/R)) 11x 3.5mm Stereo mini-jack (11x IR Emitter)
Power	24V/6.25A DC/PoH
Dimensions	316(W) x 96(H) x 438(D)mm



PUV-1082PL-4K22

60m

10 x 10 HDMI HDBaseT Lite Matrix with Audio Matrixing



HDBaseT Lite HDMI 4K UHD HDCP2.2



The **PUV-1082PL-4K22** HDMI/HDBaseT Matrix supports the transmission of video (resolutions up to 4K2K@60Hz, HDCP2.2, HDMI2.0) and multi-channel digital audio from 10 HDMI sources to 8 HDBaseT outputs and 2 independent HDMI2.0 outputs. HDBaseT outputs allow transmission via a single Cat5e/6/7 cable up to 60 metres, whilst the independent HDMI outputs support cable lengths of up to 10 metres. This matrix supports high resolution digital audio formats such as LPCM 7.1Ch, Dolby TrueHD, Dolby Digital Plus, Dolby Atmos and DTS-HD Master Audio as well as 3D video content.

The PUV-1082PL-4K22 matrix incorporates an independent audio matrix with 14 audio outputs and 10 audio inputs. These outputs and inputs can also be used for de-embedding HDMI audio to the audio outputs and embedding audio to the HDBaseT and HDMI outputs. The audio Cat connections, along with compatible bi-directional audio modules (**PU-305BD-RX** and **PU-305BDA-RX**) allow integration with remote sources and remote audio zones.

The Power-over-HDBaseT (PoH) function provides power to compatible receivers.

Features:

- HDMI 2.0, HDCP1.4 and HDCP2.2 compliant
- Routes ten HDMI sources to ten displays using eight HDBaseT outputs and two independent HDMI outputs
- High-Definition video and audio, PoH (Power-over-HDBaseT) and control (Bi-Directional IR and RS-232 pass through)
- Supported HDBaseT resolutions: VGA-WUXGA, 480i-1080p, 4K UHD @ 24/25/30Hz (RGB 4:4:4 & YUV 4:2:2), 4K UHD @ 60Hz (YUV 4:2:0), 4K2K @ 24/25/30Hz (RGB 4:4:4 & YUV 4:2:2) and 4K2K @ 60Hz (YUV 4:2:0) dependent upon the output display's EDID settings
- Supports resolutions up to 4K@60 (RGB 4:4:4) on HDMI output ports
- Supports automatic 4K@60 RGB 4:4:4 to YUV 4:2:0 conversion for HDBaseT outputs
- 4K2K and 4K UHD signals can be transmitted up to 35 metres via Cat5e/6 and 40 metres via Cat6a/7
- Supports pass-through of HD audio formats
- Supports audio matrix functionality enabling full audio management of the system including HDBaseT audio zone selection and fully independent audio-only zones
- Supports Digital-to-Analogue Conversion (DAC) and Analogue-to-Digital Conversion (ADC) for audio integration
- Supports on-board audio-over-Cat inputs and outputs for transmission up to 150 metres
- Supports Volume, Mute, Treble, Bass and Audio delay for lip-sync on direct audio outputs
- Optical Audio Return (OAR)
- Advanced internal and external EDID management with 4 sets of configurable EDID settings
- Control is via RS-232, remote control, on-panel control and IP Control (Telnet and Web GUI)

Specifications:

Model	PUV-1082PL-4K22
Inputs	10x HDMI (10x HDMI Uncompressed AV & Data) 8x RCA (4x Configurable Analogue Audio - Stereo (L/R)) 2x Toslink (2x Configurable Digital Audio - Dolby Digital / DTS / 2 Channel LPCM) 2x RCA (2x Configurable Digital Audio - 2 Channel LPCM / DTS / Dolby Digital) 2x RJ45 (2x Bi-directional Audio plus Proprietary Data) 9x 3.5mm Stereo mini-jack (9x IR Receiver) 1x 9pin Dsub (1x RS-232 Data) 1x RJ45 (1x IP Control)
Outputs	8x RJ45 (8x HDBaseT - HDMI & Proprietary Data) 16x RCA (8x Mirrored HDBaseT audio - Stereo (L/R)) 8x RCA (4x extended audio-only zones - Stereo (L/R)) 11x 3.5mm Stereo mini-jack (11x IR Emitter)
Power	24V/6.25A DC/PoH
Dimensions	438(W) x 88(H) x 316(D)mm

PU-8H8HBTE-4K22

10 x 10 HDMI HDBaseT Matrix



HDBaseT 5Play | HDMI | 4K UHD | HDCP2.2



The **PU-8H8HBTE-4K22** 8 x 8 HDMI HDBaseT Matrix supports the transmission of video (resolutions up to 4K2K Full HD, HDCP2.2) and multi-channel digital audio from 8 HDMI sources to 8 HDBaseT outputs via single Cat5e/6/7 cables up to 100 metres. It supports high resolution digital audio formats such as LPCM 7.1Ch, Dolby TrueHD, Dolby Digital Plus and DTS-HD Master Audio as well as 3D content that can be displayed when connecting a 3D TV and 3D source.

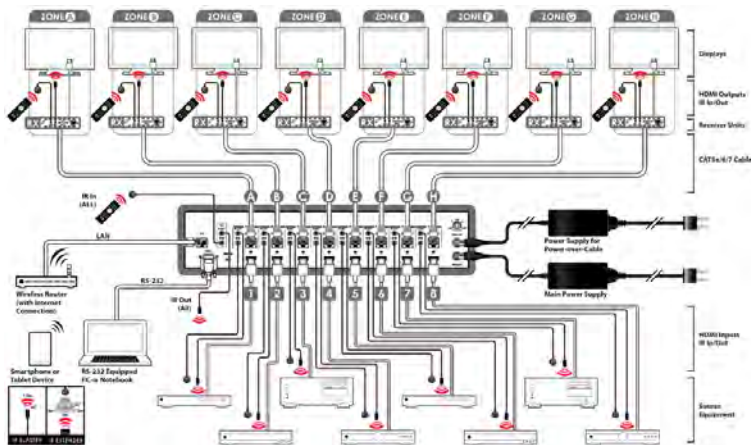
This unit also supports RS232 pass-through to the receivers. The LAN serving capabilities of the matrix provide network connections in every zone.

Features:

- HDCP2.2 compliant
- Supported resolutions VGA-WUXGA, 480i-1080p, 4K UHD @ 24/25/30Hz (RGB 4:4:4 & YUV 4:2:2), 4K UHD @ 60Hz (YUV 4:2:0), 4K2K @ 24/25/30Hz (RGB 4:4:4 & YUV 4:2:2) and 4K2K @ 60Hz (YUV 4:2:0) dependent upon the output displays EDID settings
- Uncompressed video/audio up to 10.2Gbps
- LPCM 7.1Ch, Dolby TrueHD, Dolby Digital Plus and DTS-HD Master Audio transmission
- 4K2K and 4K UHD signals can be transmitted up to 70 metres via Cat5e/6 and 100 metres via Cat6a/7
- 1080p signals can be transmitted up to 100 metres via Cat5e/6/6a/7
- Features bi-directional IR from input and output locations
- Controlled via RS-232, remote control, on-panel control and IP Control (Telnet and Web GUI)

Specifications:

Model	PU-8H8HBTE-4K22
Inputs	8x HDMI (8x Uncompressed AV & Data) 9x 3.5mm Stereo mini-jack (9x IR Receiver) 1x RJ45 (1x LAN Serving / IP Control) 1x 9pin Dsub (1x RS-232 Data) 1x USB Mini B (1x Service Port Propriety Data)
Outputs	8x RJ45 (8x HDBaseT HDMI & Propriety Data) 9x 3.5mm Stereo mini-jack (9x IR Emitter)
Power	24v/6.25A
Dimensions	438(W) x 88(H) x 249(D)mm



PU-8H8HBTPL-4K22

8 x 8 HDMI HDBaseT Lite Matrix

60m



HDBaseT Lite HDMI 4K UHD HDCP2.2



The **PU-8H8HBTPL-4K22** 4K2K 8 x 8 HDMI HDBaseT Lite Matrix supports the transmission of video (resolutions up to 4K2K Full HD, HDCP2.2), multi-channel digital audio from 8 HDMI sources to 8 HDBaseT Lite outputs via single Cat5e/6/7 cable up to 60 metres. The matrix is compatible with high resolution digital audio formats such as LPCM 7.1Ch, Dolby TrueHD, Dolby Digital Plus and DTS-HD Master Audio as well as 3D content.

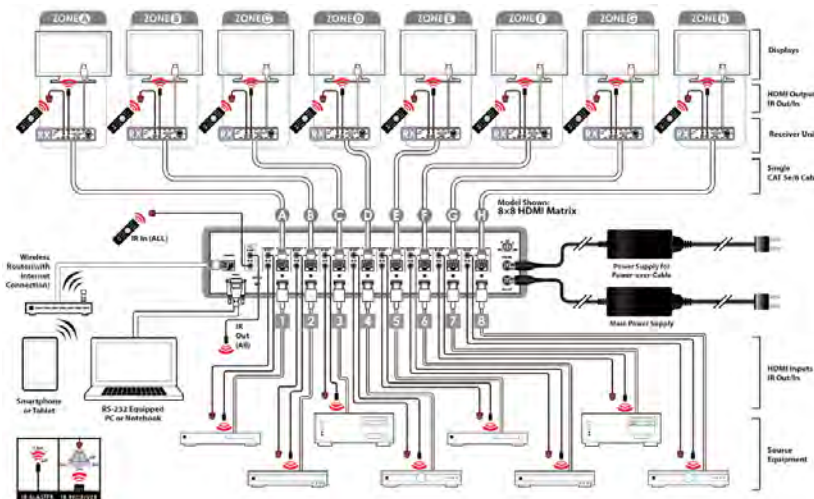
This unit also supports RS232 pass-through to the receivers.

Features:

- HDCP2.2 compliant
- Supported resolutions VGA-WUXGA, 480i-1080p, 4K UHD @ 24/25/30Hz (RGB 4:4:4 & YUV 4:2:2), 4K UHD @ 60Hz (YUV 4:2:0), 4K2K @ 24/25/30Hz (RGB 4:4:4 & YUV 4:2:2) and 4K2K @ 60Hz (YUV 4:2:0) dependent upon the output display's EDID settings
- Uncompressed video/audio up to 10.2Gbps
- LPCM 7.1Ch, Dolby TrueHD, Dolby Digital Plus and DTS-HD Master Audio transmission
- 4K2K and 4K UHD signals can be transmitted up to 35 metres via Cat5e/6 and 40 metres via Cat6a/7
- 1080p signals can be transmitted up to 60 metres via Cat5e/6a/7
- Features bi-directional IR from input and output locations
- Controlled via RS-232, remote control, on-panel control and IP Control (Telnet and Web GUI)

Specifications:

Model		PU-8H8HBTPL-4K22
Inputs	8x HDMI (8x Uncompressed AV & Data) 9x 3.5mm Stereo mini-jack (9x IR Receiver) 1x RJ45 (1x IP Control) 1x 9pin Dsub (1x RS-232 Data) 1x USB Mini B (1x Service Port Proprietary Data)	
Outputs	9x 3.5mm Stereo mini-jack (9x IR Emitter) 8x RJ45 (8x HDBaseT Lite HDMI & Proprietary Data)	
Power	24v/6.25A DC	
Dimensions	438(W) x 88(H) x 249(D)mm	



PUV-662-4K22

6 x 8 HDMI HDBaseT Matrix with Audio Matrixing



HDBaseT 5Play HDMI 4K UHD HDCP2.2

The **PUV-662-4K22** HDMI HDBaseT Matrix supports the transmission of video (resolutions up to 4K2K@60Hz, HDCP2.2, HDMI2.0) and multi-channel digital audio from 6 HDMI sources to 6 HDBaseT outputs and 2 independent HDMI2.0 outputs. The HDBaseT outputs allow transmission via a single Cat5e/6/7 cable up to 100 metres, whilst the independent HDMI outputs support cable lengths of up to 10 metres. This matrix also supports high resolution digital audio formats.

The PUV-662-4K22 matrix incorporates an independent audio matrix with 8 audio outputs and 4 audio inputs. These outputs and inputs can be used for de-embedding HDMI audio to feed the audio outputs and embedding this audio to the HDBaseT and HDMI outputs.

LAN connectivity provides a 100BaseT network for smart TVs or games consoles in every zone. The Power-over-HDBaseT (PoH) function provides power to compatible receivers.

Features:

- HDMI 2.0, HDCP1.4 and HDCP2.2 compliant
- Routes six HDMI sources to eight displays using six HDBaseT outputs and two independent HDMI outputs
- HDBaseT 5Play convergence: High-Definition video and audio, 100BaseT Ethernet, PoH (Power-over-HDBaseT) and control (Bi-Directional IR and RS-232 pass through)
- Supported HDBaseT resolutions: VGA-WUXGA, 480i-1080p, 4K UHD @ 24/25/30Hz (RGB 4:4:4 & YUV 4:2:2), 4K UHD @ 60Hz (YUV 4:2:0), 4K2K @ 24/25/30Hz (RGB 4:4:4 & YUV 4:2:2) and 4K2K @ 60Hz (YUV 4:2:0) dependent upon the output display's EDID settings
- Supports resolutions up to 4K@60 (RGB 4:4:4) on HDMI output ports
- Supports automatic 4K@60 RGB 4:4:4 to YUV 4:2:0 conversion for HDBaseT outputs
- 4K2K and 4K UHD signals can be transmitted up to 70 metres via Cat5e/6 and 100 metres via Cat6a/7
- Supports pass-through of HD audio formats
- Supports audio matrix functionality
- Supports Digital-to-Analogue Conversion (DAC) and Analogue-to-Digital Conversion (ADC) for audio integration
- Supports Volume, Mute, Treble, Bass and Audio delay for lip-sync on direct audio outputs
- Optical Audio Return (OAR)
- Advanced internal and external EDID management with 4 sets of configurable EDID settings
- Control is via RS-232, remote control, on-panel control and IP Control (Telnet and Web GUI)

Specifications:

Model	PUV-662-4K22
Inputs	6x HDMI (6x HDMI Uncompressed AV & Data) 4x RCA (2x Analogue Stereo (L/R)) 1x Toslink (1x Optical DTS / Dolby Digital / 2 Channel LPCM) 1x RCA (1x Coaxial DTS / Dolby Digital / 2 Channel LPCM) 7x 3.5mm Stereo mini-jack (7x IR Receiver) 1x 9pin Dsub (1x RS-232 Data) 1x RJ45 (1x IP Control / LAN Servicing) 1x USB Type A (1x Service Port Propriety Data)
Outputs	2x HDMI (2x HDMI Uncompressed AV & Data) 6x RJ45 (6x HDBaseT HDMI & Propriety Data) 12x RCA (6x Zone - Analogue Stereo (L/R)) 4x RCA (2x Extended - Analogue Stereo (L/R)) 7x 3.5mm Stereo mini-jack (7x IR Emitter)
Power	24v/6.25A/PoH
Dimensions	316(W) x 96(H) x 438(D)mm



60m

PUV-662PL-4K22

6 x 8 HDMI HDBaseT Lite Matrix with Audio Matrixing



HDBaseT Lite HDMI 4K UHD HDCP2.2



The **PUV-662PL-4K22** HDMI HDBaseT Lite Matrix supports the transmission of video (resolutions up to 4K2K@60Hz, HDCP2.2, HDMI2.0) and multi-channel digital audio from 6 HDMI sources to 6 HDBaseT Lite outputs and 2 independent HDMI2.0 outputs. The HDBaseT outputs allow transmission via a single Cat5e/6/7 cable up to 60 metres, whilst the independent HDMI outputs support cable lengths of up to 10 metres. This matrix supports high resolution digital audio formats.

The PUV-662PL-4K22 matrix incorporates an independent audio matrix with 8 audio outputs and 4 audio inputs. These outputs and inputs can be used for de-embedding HDMI audio to feed the audio outputs and embedding this audio to the HDBaseT and HDMI outputs.

The Power-over-HDBaseT (PoH) function provides power to compatible receivers.

Features:

- HDMI 2.0, HDCP1.4 and HDCP2.2 compliant
- Routes six HDMI sources to eight displays using six HDBaseT outputs and two independent HDMI outputs
- High-Definition video and audio, PoH (Power-over-HDBaseT) and control (Bi-Directional IR and RS-232 pass through)
- Supported HDBaseT resolutions: VGA-WUXGA, 480i-1080p, 4K UHD @ 24/25/30Hz (RGB 4:4:4 & YUV 4:2:2), 4K UHD @ 60Hz (YUV 4:2:0), 4K2K @ 24/25/30Hz (RGB 4:4:4 & YUV 4:2:2) and 4K2K @ 60Hz (YUV 4:2:0) dependent upon the output display's EDID settings
- Supports resolutions up to 4K@60 (RGB 4:4:4) on HDMI output ports
- Supports automatic 4K@60 RGB 4:4:4 to YUV 4:2:0 conversion for HDBaseT outputs
- 4K2K and 4K UHD signals can be transmitted up to 35 metres via Cat5e/6 and 40 metres via Cat6a/7
- Supports pass-through of HD audio formats
- Supports audio matrix functionality
- Supports Digital-to-Analogue Conversion (DAC) and Analogue-to-Digital Conversion (ADC) for audio integration
- Supports Volume, Mute, Treble, Bass and Audio delay for lip-sync on direct audio outputs
- Optical Audio Return (OAR)
- Advanced internal and external EDID management with 4 sets of configurable EDID settings
- Control is via RS-232, remote control, on-panel control and IP Control (Telnet and Web GUI)

Specifications:

Model	PUV-662PL-4K22
Inputs	6x HDMI (6x HDMI Uncompressed AV & Data) 4x RCA (2x Analogue Stereo (L/R)) 1x RCA (1x Coaxial DTS / Dolby Digital / 2 Channel LPCM) 1x Toslink (1x Optical DTS / Dolby Digital / 2 Channel LPCM) 7x 3.5mm Stereo mini-jack (7x IR Receiver) 1x 9pin Dsub (1x RS-232 Data) 1x RJ45 (1x IP Control) 1x USB Type A (1x Service Port Propriety Data)
Outputs	6x RJ45 (6x HDBaseT HDMI & Propriety Data) 12x RCA (6x Zone Analogue Stereo (L/R)) 4x RCA (2x Extended Analogue Stereo (L/R)) 2x HDMI (2x HDMI Uncompressed AV & Data) 7x 3.5mm Stereo mini-jack (7x IR Emitter)
Power	24v/6.25A DC/PoH
Dimensions	316(W) x 96(H) x 438(D)mm

PUV-442-4K22

4 x 6 HDMI HDBaseT Matrix with Audio Matrixing



HDBaseT 5Play HDMI 4K UHD HDCP2.2

The **PUV-442-4K22** HDMI HDBaseT Matrix supports the transmission of video (resolutions up to 4K2K@60Hz, HDCP2.2, HDMI2.0) and multi-channel digital audio from 4 HDMI sources to 4 HDBaseT outputs and 2 independent HDMI2.0 outputs. The HDBaseT outputs allow transmission via a single Cat5e/6/7 cable up to 100 metres, whilst the independent HDMI outputs support cable lengths of up to 10 metres. This matrix supports high resolution digital audio formats.

The PUV-442-4K22 matrix incorporates an independent audio matrix with 6 audio outputs and 4 audio inputs. These outputs and inputs can be used for de-embedding HDMI audio to feed the audio outputs and embedding this audio to the HDBaseT and HDMI outputs.

LAN connectivity provides a 100BaseT network for smart TVs or games consoles in every zone. The Power-over-HDBaseT (PoH) function provides power to compatible receivers.

Features:

- HDMI 2.0, HDCP1.4 and HDCP2.2 compliant
- Routes four HDMI sources to six displays using six HDBaseT outputs and two independent HDMI outputs
- HDBaseT 5Play convergence: High-Definition video and audio, 100BaseT Ethernet, PoH (Power-over-HDBaseT) and control (Bi-Directional IR and RS-232 pass through)
- Supported HDBaseT resolutions: VGA-WUXGA, 480i-1080p, 4K UHD @ 24/25/30Hz (RGB 4:4:4 & YUV 4:2:2), 4K UHD @ 60Hz (YUV 4:2:0), 4K2K @ 24/25/30Hz (RGB 4:4:4 & YUV 4:2:2) and 4K2K @ 60Hz (YUV 4:2:0) dependent upon the output display's EDID settings
- Supports resolutions up to 4K@60 (RGB 4:4:4) on HDMI output ports
- Supports automatic 4K@60 RGB 4:4:4 to YUV 4:2:0 conversion for HDBaseT outputs
- 4K2K and 4K UHD signals can be transmitted up to 70 metres via Cat5e/6 and 100 metres via Cat6a/7
- Supports pass-through of HD audio formats
- Supports audio matrix functionality
- Supports Digital-to-Analogue Conversion (DAC) and Analogue-to-Digital Conversion (ADC) for audio integration
- Supports Volume, Mute, Treble, Bass and Audio delay for lip-sync on direct audio outputs
- Optical Audio Return (OAR)
- Advanced internal and external EDID management with 4 sets of configurable EDID settings
- Control is via RS-232, remote control, on-panel control and IP Control (Telnet and Web GUI)

Specifications:

Model	PUV-442-4K22
Inputs	4x HDMI (4x HDMI Uncompressed AV & Data) 4x RCA (2x Analogue Stereo (L/R)) 1x RCA (1x Coaxial DTS / Dolby Digital / 2 Channel LPCM) 1x Toslink (1x Optical DTS / Dolby Digital / 2 Channel LPCM) 5x 3.5mm Stereo mini-jack (5x IR Receiver) 1x 9pin Dsub (1x RS-232 Data) 1x RJ45 (1x LAN Servicing / IP Control) 1x USB Type A (1x Service Port Propriety Data)
Outputs	4x RJ45 (4x HDBaseT HDMI & Propriety Data) 2x HDMI (2x HDMI Uncompressed AV & Data) 8x RCA (4x Zone Analogue Stereo (L/R)) 4x RCA (2x Extended Analogue Stereo (L/R)) 5x 3.5mm Stereo mini-jack (5x IR Emitter)
Power	24v/6.25A/PoH
Dimensions	316(W) x 96(H) x 438(D)mm



60m

PUV-44XPL-AVLC

4 x 4 HDMI HDBaseT Lite Matrix (incl. 4x PUV-1710LRX-AVLC)



4x

PUV-1710LRX-AVLC Receivers



HDBaseT Lite HDMI AVLC 4K UHD HDCP2.2 18Gbps

The **PUV-44XPL-AVLC** is the next generation of 4 x 4 Matrix from CYP, taking much of its heritage from the successful PUV-44XPL-4K22. The Matrix supports the transmission of video (resolutions up to 4K UHD 10/12-bit HDR and Dolby Vision, HDCP2.2, HDMI2.0) and multi-channel digital audio from 4 HDMI sources to 4 HDBaseT outputs.

Despite the 10.2Gbps limitation of HDBaseT technology, this ground-breaking product enables data rates of up to 18Gbps to be transmitted using AVLC (Adaptive Visually Lossless Compression) Technology.

The transmitter enables 4K UHD sources up to and including 4K@60Hz (4:4:4 8-bit) as well as 10/12 bit sources with HDR (including Dolby Vision) to be extended to a compatible receiver included in the kit. The result is a perfect 4K 6G visually lossless image delivered to the display screen.

The PUV-44XPL-AVLC supports independent video output scaling on two of the HDBaseT outputs. This is particularly useful when transmitting a 4K HDR image from the matrix to a standard 1080p HD display within an AV setup.

The HDBaseT outputs allow transmission via a single Cat5e/6/7 cable up to 60 metres (40 metres HDR Content).

The Power-over-HDBaseT (PoH) function provides power to the supplied PUV-1710LRX-AVLC Receivers which also support 2-way IR and RS-232 pass-through.

Features:

- AVLC (Adaptive Visually Lossless Compression)
- HDMI 2.0, HDCP1.4 and HDCP2.2 compliant
- Routes 4 HDMI sources to 4 displays using 4 HDBaseT outputs
- HDBaseT 5Play convergence: High-Definition video and audio, 100BaseT Ethernet, PoH (Power-over-HDBaseT) and control (Bi-Directional IR and RS-232 pass through)
- Supports up to 4K UHD (18Gbps, 4K @ 50/60Hz 4:4:4 8-bit) video input
- Supports 10-bit and 12-bit HDR (High Dynamic Range)
- Supports output resolutions up to 4K @ 50/60Hz (4:4:4 8-bit)
- 4K 3G timings and 1080p up to 70 metres, 4K 6G timings up to 40 metres
- Supports pass-through of HD audio formats
- Supports HDCP repeating and CEC functions
- Control is via RS-232, remote control, on-panel control and IP Control (Telnet and Web GUI)
- Supplied with 4x PUV-1710RX-AVLC Receivers (see page 60 for specifications)

Specifications:

Model	PUV-44XPL-AVLC
Inputs	4x HDMI (4x HDMI Uncompressed AV & Data) 5x 3.5mm Stereo mini-jack (5x IR Receiver) 1x 9pin Dsub (1x RS-232 Data) 1x RJ45 (1x IP Control) 1x USB Type A (1x Service Port Propriety Data)
Outputs	4x RJ45 (4x HDBaseT - AVLC HDMI & Propriety Data) 8x RCA (4x Analogue Stereo (L/R)) 5x 3.5mm Stereo mini-jack (5x IR Emitter)
Power	24V/6.25A/PoH
Dimensions	438(W) x 44(H) x 270(D)mm

Includes 4x
PUV-1710RX-AVLC Receivers



PUV-44XPL-4K22-KIT

4 x 4 HDMI HDBaseT Lite Matrix (incl. 4x PUV-1210PL-RX)



4x

PUV-1210PL-RX Receivers



HDBaseT Lite HDMI 4K UHD HDCP2.2

The **PUV-44XPL-4K22-KIT** is a HDMI/HDBaseT Lite Matrix which supports the transmission of video (resolutions up to 4K2K@60Hz, HDCP2.2) and multi-channel digital audio from 4 HDMI sources to 4 HDBaseT Lite outputs and 2 independent HDMI outputs. HDBaseT outputs allow transmission via a single Cat5e/6/7 cable up to 60 metres, whilst the independent HDMI outputs support cable lengths of up to 10 metres. This matrix supports high resolution digital audio formats.

This matrix also features audio breakout whereby de-embedded analogue L/R audio outputs are provided for each of the HDBaseT zones (A to D). The Power-over-HDBaseT (PoH) function provides power to the supplied PUV-1210PL-RX Receivers.

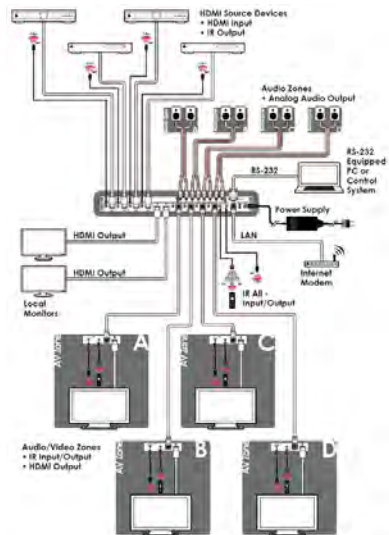
Control is via manual selection buttons, IR, RS-232, Telnet or Web GUI.

Features:

- HDMI, HDCP1.4 and HDCP2.2 compliant
- Routes four HDMI sources to six displays using four HDBaseT Lite outputs and two independent HDMI outputs
- Supported HDBaseT resolutions: VGA-WUXGA, 480i-1080p, 4K UHD @ 24/25/30Hz (RGB 4:4:4 & YUV 4:2:2), 4K UHD @ 60Hz (YUV 4:2:0), 4K2K @ 24/25/30Hz (RGB 4:4:4 & YUV 4:2:2) and 4K2K @ 60Hz (YUV 4:2:0) dependent upon the output display's EDID settings
- 4K2K and 4K UHD signals can be transmitted up to 35 metres via Cat5e/6 and 60 metres via Cat6a/7
- Supports pass-through of HD audio formats
- Supports breakout of L/R analogue audio for each HDBaseT Zones (Outputs A to D).
- Control is via RS-232, remote control, on-panel control and IP Control (Telnet and Web GUI)
- Supplied with 4x PUV-1210PL-RX receivers (see page 76 for specifications)

Specifications:

Model	PUV-44XPL-4K22-KIT
Inputs	4x HDMI (4x HDMI Uncompressed AV & Data) 5x 3.5mm Stereo mini-jack (5x IR Receiver) 1x 9pin Dsub (1x RS-232 Data) 1x RJ45 (1x IP Control / LAN Servng) 1x USB Type A (1x Service Port Propriety Data)
Outputs	4x RJ45 (4x HDBaseT HDMI & Propriety Data) 2x HDMI (2x HDMI Uncompressed AV & Data) 8x RCA (4x Zone Analogue Stereo (L/R)) 5x 3.5mm Stereo mini-jack (5x IR Emitter)
Power	24v/6.25A DC
Dimensions	482(W) x 49(H) x 274(D)mm

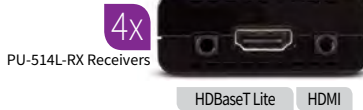


Includes 4x
PUV-1210PL-RX Receivers



PU-44XL-KIT

4 x 4 HDMI HDBaseT Lite Matrix (incl. 4x PU-514L-RX)



This **PU-44XL-KIT** Lite Matrix Express Installation Kit has been developed as a robust and cost effective solution at the heart of any four zone multi-room environment. Supplied complete with a HDBaseT Lite Matrix plus four PU-514L-RX Receivers, the kit enables an installer to easily and confidently configure a 4-zone multi-room AV system using HDBaseT Lite technology and distribute content throughout the system over a single Cat5e/6/7 cable infrastructure.

The Express Install Kit supports the transmission of video (resolutions up to 1080p Full HD and 1920x1200@60Hz), multi-channel digital audio and control via IR, RS-232 or Web GUI/Telnet IP, from four high definition sources to four HDBaseT Lite outputs over a single Cat5e/6/7 cable (up to 60 metres) for each output.

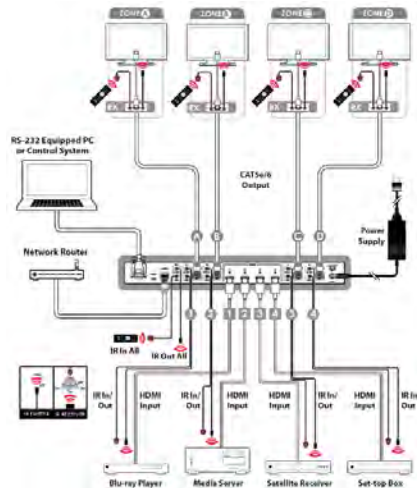
The supplied **PU-514L-RX Receivers** utilise the 2-way IR control capabilities of the Matrix.

Features:

- Supports all v1.3 HDMI resolutions
- Supports uncompressed video/audio up to 10.2Gbps
- Common supported resolutions: HDTV: 480p, 576p, 720p, 1080i, 1080p, 1080p24; PC: VGA, SVGA, XGA, WXGA, SXGA, UXGA, WUXGA.
- HDMI, HDCP and DVI compliant
- High Definition Audio supported: Dolby TrueHD, Dolby Digital Plus and DTS-HD Master Audio plus LPCM (up to 192kHz)
- Uncompressed data transfer over single Cat cable (60 metres - Cat5e/6/7)
- Supports third-party control systems, with drivers available for: Control FX, AMX, Crestron, RTI, Control 4
- Supports HDMI input up to 15 metres 1080p 8bit or 10 metres 1080p 12bit.
- Supports RS-232, 2-way IR and Manual Selection Buttons
- Selectable EDID settings - TV (downstream) and STD (fixed)
- Compact 1U rackmount design
- Supports additional IR Control via a master (ALL) Input/Output
- Supports full IP control
- Supplied with 4x PU-514L-RX Receivers

Specifications:

Model	PU-44XL-KIT
Inputs	4x HDMI (4x HDMI Uncompressed AV & Data) 5x 3.5mm Stereo mini-jack (5x IR Receiver) 1x 9pin Dsub (1x RS-232 Data) 1x RJ45 (1x IP Control) 1x USB Mini B (1x Service Port - Propriety Data)
Outputs	4x RJ45 (4x HDBaseT Lite - HDMI & Propriety Data) 5x 3.5mm Stereo mini-jack (5x IR Emitter)
Power	24V/6.25A
Dimensions	440(W) x 50(H) x 265(D)mm



Includes 4x
PU-514L-RX Receivers

MA-421

4 x 2 + 1 HDMI In, HDBaseT/HDMI Out Matrix & Amplifier



HDBaseT5Play | HDMI | AVLC | 4K UHD | HDCP2.2 | 18Gbps | 20W Amp

The **MA-421** is the perfect AV distribution solution for apartments and small residential installations. Offering four HDMI inputs, one HDBaseT output, one HDMI with mirrored HDBaseT output, 20W power amplifier and app control, the MA-421 is CYP's latest AV Distribution Matrix and the first to feature their new CYP Control App.

Included in the system is a compatible PUV-1710LRX-AVLC Receiver, giving you instant flexibility to add a second zone to your system.

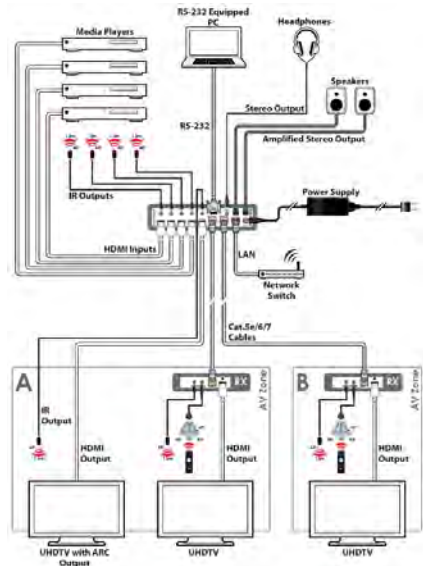
CYP's AVLC (Adaptive Visually Lossless Compression) technology ensures full 4K60 and 4K HDR/Dolby Vision compatibility out to both HDBaseT outputs, whilst the on-board amplifier adds sound reinforcement by using the ARC audio return pathway to pull the audio signal back from the connected TV to the built-in amplifier and line output, the perfect partner with any soundbar or bookshelf speakers you may wish to use!

Features:

- HDBaseT feature support: HD Video and Audio, 48v PoH and Control (Bi-directional IR pass-through)
- Supports up to 4K UHD (18Gbps, 4K @ 50/60Hz 4:4:4 8-bit) video input
- AVLC (Adaptive Visually Lossless Compression)
- Supports 10-bit and 12-bit HDR (High Dynamic Range)
- Supports output resolutions up to 4K@50/60Hz (4:4:4 8-bit)
- Supports Deep Colour input and output up to 12-bit
- Supports CEC Bypass
- 4K 3G timings and 1080p up to 70 metres, 4K 6G timings up to 35 metres
- Supports pass-through of HD audio formats
- Individual output scaling on HDMI and HDBaseT Outputs down to 1080p
- CYP Control App (IOS and Android)
- IR Learning and remote control programming
- 2 x 20w D Class Audio Power Amplifier
- 3.5mm Line Level Output

Specifications:

Model	MA-421
Inputs	4x HDMI (4x HDMI Uncompressed AV & Data) 1x 9pin Dsub (1x RS-232 Data) 1x RJ45 (1x IP Control)
Outputs	1x HDMI (1x HDMI Uncompressed AV & Data) 2x RJ45 (2x HDBaseT HDMI & Propriety Data) 5x 3.5mm Stereo mini-jack (5x IR Emitter) 2x Phoenix (2 pin) (1x Speaker Level Stereo Output) 1x 3.5mm Stereo mini-jack (1x Analogue audio Stereo(L/R))
Power	24v/2.7A
Dimensions	219(W) x 43(H) x 156(D)mm



Includes 1x PUV-1710LRX-AVLC Receiver





OR-88U-4K22

8 x 8 HDMI Matrix Switcher



HDMI 4K UHD HDCP2.2 18Gbps

The **OR-88U-4K22** 8x8 Matrix provides the ability to connect up to eight 4K UHD HDMI sources to up to eight 4K UHD HDMI displays and freely switch between them.

This unit comes with full support for 18Gbps (6G) resolutions up to and including 4K@60Hz (4:4:4, 8-bit) as well as support for 16-bit Deep Colour up to 1080p@60Hz, HDR (High Dynamic Range), HD audio and other features defined by the HDMI 2.0a specification.

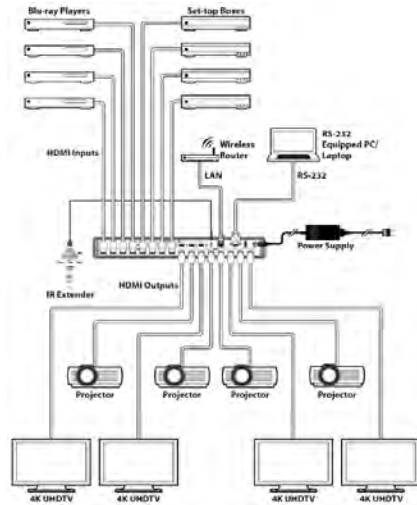
This unit also features eight USB ports which supply up to 5v/1A power for use with connected AOC (Active Optical Cable) fiber cable extenders. By using these specialised cables your HDMI content can be extended much further than would be possible with normal HDMI cables.

Features:

- HDMI 2.0a and DVI 1.0 compliant
- HDCP2.2 compliant
- Eight HDMI inputs matrixed to eight HDMI outputs with 18Gbps (6G) 4K UHD support
- Supports UHD resolutions up to 3840x2160@60Hz (4:4:4, 8-bit) and 4096x2160@60Hz (4:4:4, 8-bit) plus HDR
- Supports 16-bit Deep Colour up to 1080p@60Hz
- Supports pass-through of audio formats including LPCM 2.0/5.1/7.1, Bitstream and HD Bitstream
- Supports six internal EDIDs, eight external EDIDs copied from connected devices and four user provided EDIDs
- Eight USB ports to supply 5v/1A power to AOC (Active Optical Cable) fiber extension cables
- Controllable via front-panel buttons with LCD, WebGUI, Telnet, RS-232, and IR remote

Specifications:

Model	OR-88U-4K22
Inputs	8x HDMI (8x HDMI Uncompressed AV & Data) 1x 3.5mm Stereo mini-jack (1x IR Receiver) 1x 9pin Dsub (1x RS-232 Data)
Outputs	8x HDMI (8x HDMI Uncompressed AV & Data) 8x USB Type A (8x 5v 1amp USB power output)
Power	24v/6.25A
Dimensions	269(W) x 49(H) x 438(D)mm



OR-HD88HC

8 x 8 HDMI Matrix Switcher (+ simultaneous Cat. outputs)



HDMI HDMI over Cat



The **OR-HD88HC** Matrix Switcher connects eight HDMI sources to 16 displays. This matrix features 8 HDMI outputs and each HDMI output is mirrored to provide a Twin Cat output which runs simultaneously. Connect a compatible receiver to each of the Twin Cat outputs to extend the HDMI signal up to 45m for multi-room connectivity.

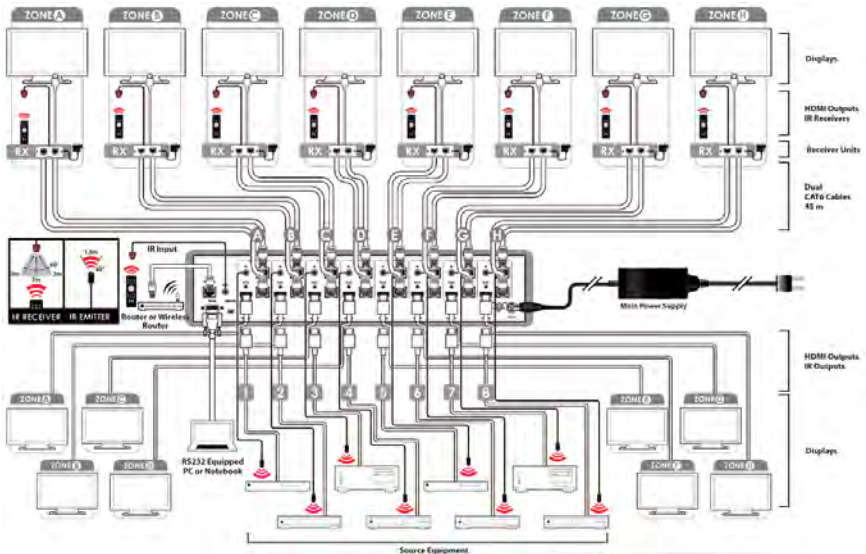
This matrix switcher can be controlled via the supplied IR remote control, RS-232, IP (telnet) or web GUI or by using the selection buttons on the front of the unit.

Features:

- HDMI, HDCP 1.1, DVI 1.0 compliant
- Resolutions supported: PC - VGA to WUXGA; HDTV - 480i to 1080p@50/60Hz plus 1080p24fps
- High Definition audio supported: Dolby TrueHD, Dolby Digital Plus, DTS-HD Master Audio + LPCM
- The HDMI input is compensated, clock / phase adjusted and jitter eliminated so the output is a brand new standard HDMI signal running up to 15 metres at 1080p
- IP-Telnet, Web GUI, RS-232, CEC Command functionality, IR Remote Control and IR extender supported
- Selectable EDID settings - TV (downstream) and STD (fixed)

Specifications:

Model	OR-HD88HC
Inputs	8x HDMI (8x HDMI Uncompressed AV & Data) 1x 3.5mm Stereo mini-jack (1x IR Receiver) 1x USB Mini B (1x Service Port Proprietary Data) 1x 9pin Dsub (1x RS-232 Data) 1x RJ45 (1x IP Control)
Outputs	8x HDMI (8x HDMI Uncompressed AV & Data) 16x RJ45 (8x HDMI & Proprietary Data) 8x 3.5mm Stereo mini-jack (8x IR Emitter)
Power	24v/6.25A
Dimensions	255(W) x 90(H) x 440(D)mm





OR-HD62CD-4K22

6 x 2 HDMI Matrix Switcher with Audio De-embedding



HDMI 4K UHD HDCP2.2

The **OR-HD62CD-4K22** is an advanced 4K HDR HDMI Matrix Switcher designed for both commercial and residential applications.

The 6 x 2 HDMI Matrix Switch enables 4K HDR (6G) HDCP2.2 HDMI signals to be routed from any of the six HDMI inputs to either of the two independent HDMI outputs.

Additionally, a cutting edge Picture-in-Picture (PIP) preview mode can be selected where the unselected sources are displayed in a row of 5 small windows overlaid on top of the primary selected source. In preview mode, both HDMI outputs show identical feeds.

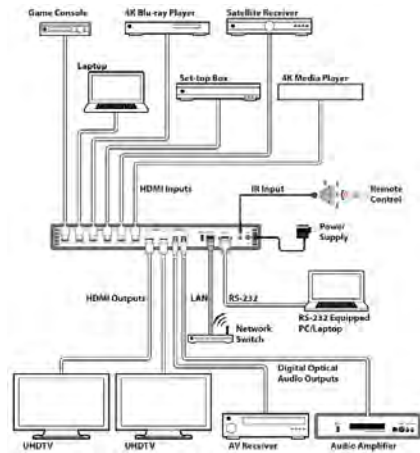
Further features include fast switching technology, on-board EDID management tool and optical audio de-embedding for added flexibility of installation.

Features:

- HDCP2.2, HDMI 1.4 and DVI compliant
- Capable of delivering 4K UHD HDR 4:4:4@60Hz 8-Bit (HDR/ Dolby Vision)
- Supported resolutions VGA-WUXGA, 480i-1080p, 4K UHD @ 24/25/30Hz (RGB 4:4:4 & YUV 4:2:2), 4K UHD @ 60Hz (YUV 4:2:0), 4K2K @ 24/25/30Hz (RGB 4:4:4 & YUV 4:2:2) and 4K2K @ 60Hz (YUV 4:2:0) dependent upon the output display's EDID settings
- High Definition audio supported: Dolby TrueHD, Dolby Digital Plus, DTS-HD Master Audio + 7.1 Channel LPCM
- Optical de-embedding from selected HDMI input, audio sampling rate of 192kHz
- Fast switching technology
- Supports 10 bit colour, 4K UHD, 3D and 1080p signals
- Built-in EDID management

Specifications:

Model	OR-HD62CD-4K22
Inputs	6x HDMI (6x HDMI Uncompressed AV & Data) 1x 3.5mm Stereo mini-jack (1x IR Proprietary Data) 1x 9pin Dsub (1x RS-232 Data) 1x RJ45 (1x IP Control) 1x USB Type A (1x Service Port Proprietary Data)
Outputs	2x HDMI (2x HDMI Uncompressed AV & Data) 2x Toslink (2x Optical Dolby Digital / DTS / 2 Channel LPCM)
Power	5v/2.6A
Dimensions	269(W) x 49(H) x 438(D)mm



OR-HD62CD

6 x 2 HDMI Matrix Switcher



HDMI PIP

The **OR-HD62CD** allows HDMI signals to be routed from any of the six connected HDMI sources for display on two connected HDMI displays. With fast switching technology, this device dramatically improves the sync time to the connected HDMI displays over traditional switchers. In Matrix Mode, it allows any source to be routed independently to any output.

An on-board EDID management tool (via on-screen display) can be utilised for advanced audio and video signal management. In addition, this switcher also includes a cutting edge Picture-in-Picture (PIP) preview mode allowing the user to show 5 unselected HDMI sources in a row of small windows overlaid on top of the primary selected HDMI source signal. In preview mode, both HDMI outputs show identical feeds.

Features:

- HDMI, HDCP 1.1, DVI 1.0 compliant
- High Definition audio supported: Dolby TrueHD, Dolby Digital Plus, DTS-HD Master Audio + 7.1 Channel LPCM
- RS-232, Telnet or IP Control, IR remote control (supplied), Web GUI Control
- Supports audio extraction from HDMI input to Optical output, input audio sampling rate up to 192kHz
- Ability to switch between any two sources within 1 second
- Built-in EDID Management
- Supports resolutions VGA-WUXGA, 480i-1080p, 4K UHD @ 24/25/30Hz (RGB 4:4:4 & YUV 4:2:2), 4K UHD @ 60Hz (YUV 4:2:0), 4K2K @ 24/25/30Hz (RGB 4:4:4 & YUV 4:2:2) and 4K2K @ 60Hz (YUV 4:2:0) dependent upon the output display's EDID settings
- Cutting edge Picture-in-Picture preview function

Specifications:

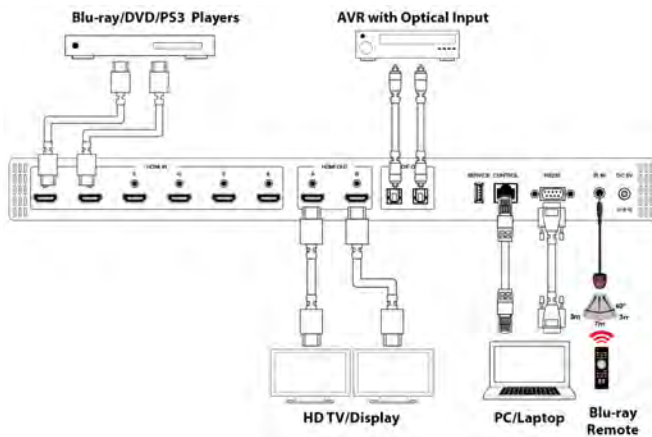
Model OR-HD62CD

Inputs
 6x HDMI (6x HDMI Uncompressed AV & Data)
 1x 3.5mm Stereo mini-jack (1x IR Proprietary Data)
 1x 9pin Dsub (1x RS-232 Data)
 1x RJ45 (1x IP Control)
 1x USB Type A (1x Service Port Proprietary Data)

Outputs
 2x HDMI (2x HDMI Uncompressed AV & Data)
 2x Toslink (2x Optical 2 Channel LPCM / Dolby Digital / Dolby Digital Plus / DTS)

Power 5v/2.6A

Dimensions 440(W) x 40(H) x 290(D)mm





OR-44U-4K22

4 x 4 HDMI Matrix Switcher with Optical Audio Out



HDMI 4K UHD 18Gbps HDCP2.2

The **OR-44U-4K22** 4K UHD 4 x 4 HDMI Matrix provides the ability to connect up to four 4K UHD HDMI sources to up to four 4K UHD HDMI displays and freely switch between them. This unit comes with full support for 18Gbps (6G) and resolutions up to and including 4K@60Hz (4:4:4, 8-bit) as well as support for 48-bit Deep Colour, HDR (High Dynamic Range), HD audio and other features defined by the HDMI 2.0 specification.

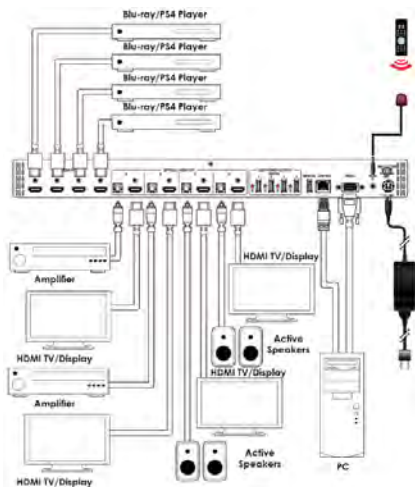
With a comprehensive EDID management feature that includes the ability to select between built-in default EDID, EDID copied from connected sink devices, as well as a configurable EDID, this matrix can solve many inter-connectivity problems. This unit also features four USB ports which supply up to 5v/1A power for use with connected optical fiber or AOC fiber cable extenders or Cat5 balun extenders. The built-in OSD allows the user to display text on screen.

Features:

- HDMI input and output with 18Gbps (6G) 4K UHD (HDR) support
- DVI 1.0 compliant with the use of an HDMI-DVI adaptor
- HDCP 1.4 and 2.2 compliant
- Supports HD resolutions up to 3840x2160@60Hz (YUV 4:4:4, 8-bit) and 4096x2160@60Hz (YUV 4:4:4, 8-bit)
- Supports 48-bit Deep Colour up to 1080p @ 60Hz
- Supports pass-through of LPCM 7.1, bitstream and HD bitstream audio formats
- Supports six internal EDIDs, four external EDIDs copied from connected devices and four user provided EDIDs
- Four USB ports to supply 5v/1A power
- OSD for custom text overlay
- Intuitive control interface including telnet, WebGUI, OSD, IR remote and RS-232
- USB Input (Firmware only)

Specifications:

Model	OR-44U-4K22
Inputs	4x HDMI (4x HDMI Uncompressed AV & Data) 1x 3.5mm Stereo mini-jack (1x IR Receiver) 1x 9pin Dsub (1x RS-232 Data) 1x RJ45 (1x IP Control)
Outputs	4x HDMI (4x HDMI Uncompressed AV & Data) 4x Toslink (4x Optical DTS / Dolby Digital / 2 Channel LPCM) 4x USB Type A (4x 5v 1amp USB power output)
Power	24v/6.25A
Dimensions	269(W) x 52(H) x 238(D)mm



OR-44-4K22

4 x 4 HDMI Matrix Switcher



HDMI 4K UHD HDCP2.2

The **OR-44-4K22** 4x4 HDMI Matrix Switcher is designed to enable the user to switch between any of the four connected HDMI sources to send video and audio to any of the four connected HDMI displays.

This matrix switcher fully supports 4K resolutions and is HDMI2.0 and HDCP2.2 compliant, ensuring maximum compatibility with the latest 4K UHD sources and displays.

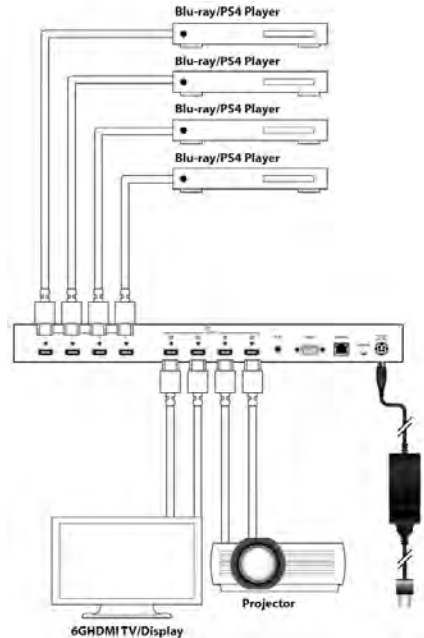
The unit supports all the latest features of the HDMI2.0 specification such as 4K UHD resolutions (4K2K@60Hz - YUV4:4:4), HDR (High Dynamic Range), 'Deep Colour' and High Definition audio. Control is via manual selection buttons, IR, RS-232, Telnet or Web GUI.

Features:

- HDMI2.0 and HDCP2.2 compliant
- Routes four HDMI sources to four HDMI displays
- Supports pass-through of HD audio formats: LPCM 2/5.1/7.1Ch, Dolby Digital 2/5.1Ch, Dolby Digital Plus, Dolby TrueHD, Dolby Atmos and DTS-HD Master Audio
- 4K UHD resolutions (4K2K@60Hz - YUV4:4:4)
- Supports HDR (High Dynamic Range) and Deep Colour

Specifications:

Model	OR-44-4K22
Inputs	4x HDMI (4x HDMI Uncompressed AV & Data) 1x 3.5mm Stereo mini-jack (1x IR Receiver) 1x 9pin Dsub (1x RS-232 Data) 1x RJ45 (1x IP Control)
Outputs	4x HDMI (4x HDMI Uncompressed AV & Data)
Power	24v/3.75A
Dimensions	160(W) x 44(H) x 436(D)mm





OR-42-4K22

4 x 2 HDMI Matrix Switcher



HDMI 4KUHD HDCP2.2



The **OR-42-4K22** 4x2 HDMI Matrix Switcher is designed to enable the user to switch between any of the four connected HDMI sources to send video and audio to either of the two connected HDMI displays.

This matrix switcher fully supports 4K resolutions and is HDMI2.0 and HDCP2.2 compliant, ensuring maximum compatibility with the latest 4K UHD sources and displays.

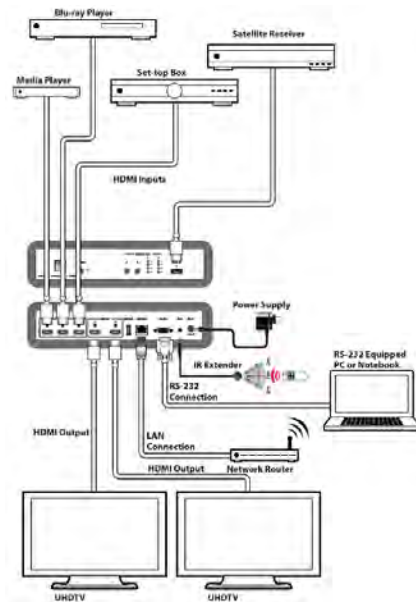
The unit supports all the latest features of the HDMI2.0 specification such as 4K UHD resolutions (4K2K@60Hz - YUV4:4:4), HDR (High Dynamic Range), 'Deep Colour' and High Definition audio. Control is via manual selection buttons, IR, RS-232, Telnet or Web GUI.

Features:

- HDMI2.0 and HDCP2.2 compliant
- Routes four HDMI sources to two HDMI displays
- Supports pass-through of HD audio formats: LPCM 2/5.1/7.1Ch, Dolby Digital 2/5.1Ch, Dolby Digital Plus, Dolby TrueHD, Dolby Atmos and DTS-HD Master Audio
- 4K UHD resolutions (4K2K@60Hz - YUV4:4:4)
- Supports HDR (High Dynamic Range) and Deep Colour

Specifications:

Model	OR-42-4K22
Inputs	4x HDMI (4x HDMI Uncompressed AV & Data) 1x RJ45 (1x IP Control) 1x 9pin Dsub (1x RS-232 Data) 1x 3.5mm Stereo mini-jack (1x IR Receiver) 1x USB Type A (1x Service Port Proprietary Data)
Outputs	2x HDMI (2x HDMI Uncompressed AV & Data)
Power	5v/2.6A
Dimensions	104(W) x 43(H) x 240(D)mm





howtoAVtv

FREE AV training videos
from our multi-award
winning channel:

www.HowToAV.tv





03. Extenders

HDBaseT | HDMI |
USB | IR

CYP solutions are designed to deliver a standard of signal distribution that provides unprecedented levels of confidence and control for the user. This extensive range of HDMI transmitter and receiver products provide the installer with a robust solution for sending AV and control signals over long distances.

Utilising the latest technologies such as HDMI-over-IP and HDBaseT, this selection of extender products provides the installer with a choice of solutions to suit any installation regardless of the complexities or scale of the system.



Extenders

EL-2600V

4K UHD+ HDMI/DP/VGA/USB over HDBaseT Transmitter

100m



HDBaseT HDMI AVLC 4K UHD VGA HDCP2.2 18Gbps

The **EL-2600V Presentation Switcher** is designed for use in environments needing a wide range of flexibility when it comes to inputs, outputs, and control. The three most common video input interfaces (HDMI, DisplayPort, and VGA w/ stereo audio) are included, providing the ultimate in source compatibility and flexibility. The HDMI and DisplayPort inputs support resolution/timing up to a maximum of 4K@60Hz (4:4:4, 8-bit) which is converted, when appropriate and necessary, for transmission over HDBaseT. The selected source (video & audio) can be transmitted over Cat.6/7 cable up to 100 metres (at 4K@60Hz) along with bidirectional Ethernet, RS-232, USB, and IR. Due to the matrixing capability of this unit, an independent source may also be selected for output over the local HDMI output. The EL-2600V also includes a microphone input, with optional 48v/5V phantom power support, feeding directly into a DSP mixer, offering the complete presentation solution.

When paired with the PUV-2600RX up to 3 switchable USB 2.0 host (Type-B) connections are available (2 on the Transmitter, 1 on the Receiver) which connect to up to 6 USB 2.0 (Type-A) device ports (3 on the Transmitter, 3 on the Receiver) for a multi-source, bidirectional, and highly flexible KVM configuration or interactive displays.

Features:

- HDMI and DisplayPort with 18Gbps (600MHz), 3D & 4K video support; HDBaseT 2.0 compatible
- HDCP 1.x & 2.2 compliant
- Selectable HDMI, DisplayPort and VGA inputs
- HDMI and DisplayPort support input resolutions up to 4K@60Hz (4:4:4, 8-bit)
- VGA supports input resolutions up to 1080p/WUXGA (RB)
- HDMI output supports resolutions up to 4K@60Hz (4:4:4, 8-bit)
- HDBaseT output supports resolutions up to 4K@60Hz (YUV 4:2:0, 8-bit) with automatic color space conversion of 4K@60Hz (4:4:4, 8-bit) sources
- 4 x 2 matrix switching (HDMI and HDBaseT outputs are independent)
- Supported HDBaseT features: HD video and audio, 100BaseT Ethernet, 48v PoH, and control (bidirectional IR/RS-232/USB pass-through)
- Supports pass-through of LPCM 2.0/5.1/7.1, Bitstream & HD Bitstream audio formats
- Microphone input supports optional 48v/5v phantom power
- Supports local power, or power via 48v PoH from Receiver (Not Included) to Transmitter (compatible Receivers only)
- Controllable via front panel buttons, WebGUI, Telnet, Triggers & RS-232

Specifications:

Model	EL-2600V
Inputs	2x HDMI (2x HDMI Uncompressed AV and Data) 1x Display Port (1x Display Port Uncompressed AV) 1x 15pin Dsub (1x VGA RGBHV) 2x 3.5mm Stereo mini-jack (2x Analogue Stereo (L/R)) 1x Phoenix (10 pin) (1x Trigger In (8)) 1x RJ45 (1x LAN Serving) 2x USB Type B (2x Proprietary Data) 1x 3.5mm Stereo mini-jack (1x RS-232) 1x Phoenix (3 pin) (1x RS-232) 1x 3.5mm Stereo mini-jack (1x Infra Red Receiver) 1x 6.35mm Stereo Jack (1x Microphone)
Outputs	1x HDMI (1x HDMI Uncompressed AV and Data) 1x RJ45 (1x HDBaseT2 HDMI & Proprietary Data) 1x Phoenix (5 pin) (1x Analogue Stereo (Balanced or Unbalanced)) 1x 3.5mm Stereo mini-jack (1x Infra Red Emitter) 3x USB Type A (3x Proprietary Data)
Power	24v/3.75A, PoH
Dimensions	158(W) x 44(H) x 231(D) mm

PUV-2600RX

HDMI over HDBaseT2.0 4K UHD Receiver



HDBaseT HDMI AVLC 4K UHD HDCP2.2 18Gbps

The **PUV-2600RX HDBaseT2.0 Receiver** is designed for use in environments that require a wide range of flexibility when it comes to inputs, outputs, and control. With a 2 by 2 matrix arrangement of HDBaseT & HDMI inputs and dual HDMI outputs this Receiver can handle a variety of source routing scenarios. The HDMI input and outputs support resolutions up to a maximum of 4K@60Hz (4:4:4, 8-bit) while the HDBaseT input supports resolutions up to a maximum of 4K@60Hz (YUV 4:2:0, 8-bit). A balanced analogue stereo audio breakout is also provided (LPCM 2.0 sources only) allowing audio from the receiver to be integrated with local amplifier or active speakers. The HDBaseT input not only supports video and audio but also bidirectional Ethernet, RS-232, USB, and IR.

When paired with the EL-2600V, up to 3 switchable USB 2.0 host (Type-B) connections are available (2 on the Transmitter, 1 on the Receiver) which connect to up to 6 USB 2.0 (Type-A) device ports (3 on the Transmitter, 3 on the Receiver) for a multi-source, bidirectional, and highly flexible KVM or interactive display configuration (Note: Only 1 USB host may be active at a time).

The PUV-2600RX can provide 48v PoH (Power over HDBaseT) power to the connected HDBaseT Transmitter (compatible Transmitters only), allowing for greater flexibility within different installation scenarios. This unit is controllable via front-panel controls, WebGUI, Telnet, and RS-232.

Features:

- HDMI with 18Gbps (600MHz), 3D & 4K video support; HDBaseT2.0 compatible
- HDCP 1.x & 2.2 compliant
- Selectable HDMI and HDBaseT inputs
- HDMI input supports resolutions up to 4K@60Hz (4:4:4, 8-bit)
- HDBaseT input supports resolutions up to 4K@60Hz (YUV 4:2:0, 8-bit)
- HDMI output supports resolutions up to 4K@60Hz (4:4:4, 8-bit)
- 2 x 2 matrix switching (both HDMI outputs are independent)
- Supported HDBaseT features: HD video and audio, 100BaseT Ethernet, 48v PoH, and control (bidirectional IR/RS-232/USB pass-through)
- Supports pass-through of LPCM 2.0/5.1/7.1, Bitstream & HD Bitstream audio formats
- Balanced analog stereo audio breakout
- Flexible USB host selection using front panel buttons
- Multiple USB hosts may be connected at once (up to 3 total, between the TX and a compatible RX unit) with a single selected host active at a time
- Supports 48v PoH from Receiver (PSE) to Transmitter (PD) (compatible Transmitters only)
- Controllable via front panel buttons, WebGUI, Telnet, and RS-232

Specifications:

Model	PUV-2600RX
Inputs	1x HDMI (1x HDMI Uncompressed AV and Data) 1x RJ45 (1x HDBaseT2 HDMI & Proprietary Data) 1x RJ45 (1x LAN Serving) 1x 3.5mm Stereo mini-jack (1x Infra Red Receiver) 1x USB Type B (1x Proprietary Data) 1x 3.5mm Stereo mini-jack (1x RS-232)
Outputs	2x HDMI (2x HDMI Uncompressed AV and Data) 1x Phoenix (5 pin) (1x Analogue Stereo (Balanced or Unbalanced)) 11x Phoenix (3 pin) (11x RS-232) 1x 3.5mm Stereo mini-jack (1x Infra Red Emitter) 3x USB Type A (3x Proprietary Data)
Power	24v/3.75A
Dimensions	158(W) x 44(H) x 231(D) mm

PUV-2100TX-AVLC

HDBaseT2.0 HDR Transmitter with AVLC

100m



HDBaseT 5Play | HDMI | AVLC | 4K UHD | 18Gbps | HDCP2.2

The **PUV-2100TX-AVLC Transmitter** enables video resolutions up to 4K UHD including 10/12-bit HDR and Dolby Vision, to be transmitted along with HD audio, 2-Way IR, RS-232, PoH (Power-over-HDBaseT) and LAN signals up to a distance of 100 metres. This solution provides advanced signal management ensuring reliable results in the most demanding installation environments. All audio, video, control and power are transmitted simultaneously over a single Cat6a/7 cable up to 100 metres @ 4K 3G and 1080p, 70 metres @ 4K 6G.

Despite the 10.2Gbps limitation of HDBaseT technology, these groundbreaking products enable data rates of up to 18Gbps to be transferred using AVLC (Adaptive Visually Lossless Compression) Technology.

The PUV-2100TX-AVLC Transmitter enables 4K UHD sources up to and including 4K@60Hz (4:4:4 8-bit) as well as 10/12 bit sources with HDR (including Dolby Vision) to be extended to the PUV-2100RX-AVLC Receiver.

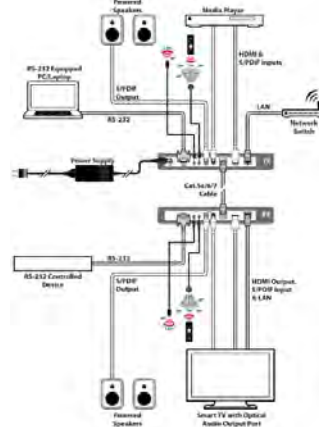
Features:

- HDMI with HDR, 3D & 4K@60Hz support, DVI 1.0 compatible
- HDCP2.2 and HDCP 1.x compliant
- Supports up to 4K UHD (18Gbps, 4K@50/60Hz 4:4:4, 8-bit) video input and output
- Supports Deep Colour input and output up to 12-bit
- Supports 10-bit and 12-bit HDR (High Dynamic Range) input/output
- Supports CEC bypass
- HDBaseT output transmits video, audio and data over a single Cat5e/6/7 cable and can reach distances up to 100 metres at 4K when using Cat6a/7
- HDBaseT feature support: HD Video and Audio, 100BaseT Ethernet, 48v PoH (PSE), bi-directional optical audio and Control (bi-directional IR/RS-232 pass-through)
- Integrated AVLC (Adaptive Visually Lossless Compression) activates when the bandwidth requirements of the source are beyond 10.2Gbps (340MHz) allowing for sources up to 18Gbps (600MHz) to be sent to a compatible Receiver with no loss of visual quality
- The AVLC feature allows manual selection between High Quality Mode (Full bandwidth) and Standard Mode (Lower bandwidth, useful for longer cable runs with 4K sources)
- Bi-directional optical audio extension support
- Supports HDMI DDC bus clock stretching for improved compatibility with certain Blu-ray players
- Performs TMDS re-clocking and signal re-generation for improved signal integrity
- Supports standard 48v PoH from Transmitter to Receiver (compatible Receivers only)

Note: The 48v PoH function is designed for powering compatible Receiver units only. Non-PoH Receivers will need their own power supply. Receivers from other brands may not be compatible.

Specifications:

Model	PUV-2100TX-AVLC
HDMI Bandwidth	600MHz/18Gbps
HDBaseT Bandwidth	340MHz/10.2Gbps
Input Ports	1x HDMI, 1x S/PDIF (TOSLINK)
Output Ports	1x HDBaseT (RJ-45), 1x S/PDIF (TOSLINK)
Pass-through Ports	1x IR Extender (3.5mm), 1x IR Blaster (3.5mm), 1x RS-232 (DE-9), 1x LAN (RJ-45)
Service/Control Port	1x USB (mini-B)
Power	48v/2.7A
Dimensions	231.5(W) x 25(H) x 115(D)mm



PUV-2100RX-AVLC

HDBaseT Receiver AVLC



HDBaseT 5Play | HDMI | AVLC | 4K UHD | 18Gbps | HDCP2.2

The **PUV-2100RX-AVLC Receiver** enables video resolutions up to 4K UHD including 10/12-bit HDR and Dolby Vision, to be received along with HD audio, 2-Way IR, RS-232, PoH (Power-over-HDBaseT) and LAN signals up to a distance of 100 metres. This solution provides advanced signal management ensuring reliable results in the most demanding installation environments. All audio, video, control and power are transmitted simultaneously over a single Cat6a/7 cable up to 100 metres @ 4K 3G and 1080p, 70 metres @ 4K 6G.

Despite the 10.2Gbps limitation of HDBaseT technology, these groundbreaking products enable data rates of up to 18Gbps to be transferred using AVLC (Adaptive Visually Lossless Compression) Technology.

The PUV-2100TX-AVLC Transmitter enables 4K UHD sources up to and including 4K@60Hz (4:4:4 8-bit) as well as 10/12 bit sources with HDR (including Dolby Vision) to be extended to the PUV-2100RX-AVLC receiver.

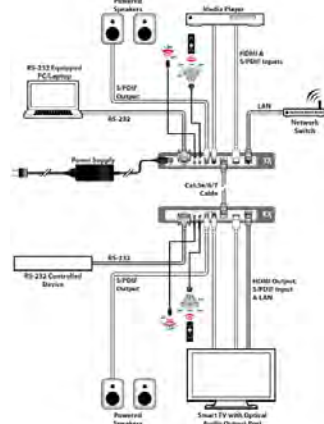
Features:

- HDMI with HDR, 3D & 4K@60Hz support, DVI 1.0 compatible
- HDCP2.2 and HDCP 1.x compliant
- Supports up to 4K UHD (18Gbps, 4K@50/60Hz 4:4:4, 8-bit) video input and output
- Supports Deep Colour input and output up to 12-bit
- Supports 10-bit and 12-bit HDR (High Dynamic Range) input/output
- Supports CEC bypass
- HDBaseT output transmits video, audio and data over a single Cat5e/6/7 cable and can reach distances up to 100 metres at 4K when using Cat6a/7
- HDBaseT feature support: HD Video and Audio, 100BaseT Ethernet, 48v PoH (PSE), bi-directional optical audio and Control (bi-directional IR/RS-232 pass-through)
- Integrated AVLC (Adaptive Visually Lossless Compression) activates when the bandwidth requirements of the source are beyond 10.2Gbps (340MHz) allowing for sources up to 18Gbps (600MHz) to be sent to a compatible Receiver with no loss of visual quality
- The AVLC feature allows manual selection between High Quality Mode (Full bandwidth) and Standard Mode (Lower bandwidth, useful for longer cable runs with 4K sources)
- Bi-directional optical audio extension support
- Supports HDMI DDC bus clock stretching for improved compatibility with certain Blu-ray players
- Performs TMDS re-clocking and signal re-generation for improved signal integrity
- Supports standard 48v PoH from Transmitter to Receiver (compatible Receivers only)

Note: The 48v PoH function is designed for powering compatible Receiver units only. Non-PoH Receivers will need their own power supply. Receivers from other brands may not be compatible.

Specifications:

Model	PUV-2100RX-AVLC
HDMI Bandwidth	600MHz/18Gbps
HDBaseT Bandwidth	340MHz/10.2Gbps
Input Ports	1x HDBaseT (RJ-45), 1x S/PDIF (TOSLINK)
Output Ports	1x HDMI, 1x S/PDIF (TOSLINK)
Pass-through Ports	1x IR Extender (3.5mm), 1x IR Blaster (3.5mm), 1x RS-232 (DE-9), 1x LAN (RJ-45)
Service/Control Port	1x USB (mini-B)
Power	48v/2.7A
Dimensions	231.5(W) x 25(H) x 115(D)mm



PUV-2010TX

HDBaseT2.0 Slimline Transmitter (incl. USB Data)



HDBaseT 5Play HDMI 4K UHD HDCP2.2

The **PUV-2010TX** Slimline Transmitter enables transmission of video resolutions up to 4K UHD, along with HD audio, 2-Way IR, RS-232, PoH (Power-over-HDBaseT), LAN and USB data signals up to 100 metres. Utilising the latest HDBaseT2.0 technology, this solution provides advanced signal management and dedicated audio pathways to ensure reliable results in the most demanding installation environments. In addition to the full 5Play convergence, this device also incorporates OAR (Optical Audio Return) and ARC (Audio Return Channel) functions which enable audio from a compatible display to be routed back from the receiver unit to the transmitter.

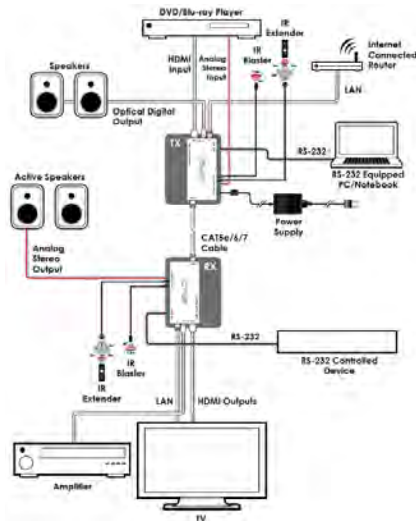
All of these features are incorporated into an ultra-slim casing, providing unrivalled flexibility and ease of installation.

Features:

- Supports full HDBaseT2.0 specification signals can be received up to a maximum distance of 100 metres over Cat6a/7
- HDCP2.2, HDMI and DVI compatible
- HDBaseT 5Play convergence: High-Definition video and audio, 100BaseT Ethernet, PoH (Power-over-HDBaseT) and control (Bi-Directional IR and RS-232 pass through)
- Supported resolutions VGA-WUXGA, 480i-1080p, 4K UHD @ 24/25/30Hz (RGB 4:4:4 & YUV 4:2:2), 4K UHD @ 60Hz (YUV 4:2:0), 4K2K @ 24/25/30Hz (RGB 4:4:4 & YUV 4:2:2) and 4K2K @ 60Hz (YUV 4:2:0) dependent upon the output display's EDID settings
- 4K2K and 4K UHD signals can be transmitted up to 70 metres via Cat5e/6 and 100 metres via Cat6a/7
- Supports pass-through of HD audio formats: LPCM 2/5.1/7.1Ch, Dolby Digital 2/5.1Ch, Dolby Digital Plus, Dolby TrueHD, Dolby Atmos and DTS-HD Master Audio
- Optical audio return (OAR)
- Audio return channel (ARC)
- Dedicated channel for analogue stereo audio transmission from the transmitter to a compatible receiver
- Ultra-slim chassis design for ease of installation
- USB Data Serving from Transmitter (single USB 2.0) to Receiver (2x USB)
- Compatible with the PUV-2010RX Receiver

Specifications:

Model	PUV-2010TX
Inputs	1x HDMI (1x HDMI Uncompressed AV & Data) 1x RJ45 (1x LAN Serving) 1x 3.5mm Stereo mini-jack (1x IR Emitter) 1x Phoenix (3 pin) (1x Stereo (L/R) Audio Input) 1x USB Type B (1x USB Proprietary Data)
Outputs	1x RJ45 (1x HDBaseT2.0 HDMI & Proprietary Data) 1x Toslink (1x Optical 2 Channel LPCM) 1x 3.5mm Stereo mini-jack (1x IR Receiver) 1x Phoenix (3 pin) (1x RS-232)
Power	48v/0.83A
Dimensions	270(W) x 20(H) x 80(D)mm



PUV-2010RX

HDBaseT2.0 Slimline Receiver (incl. USB Data)



The **PU-2010RX** Slimline Receiver supports video resolutions up to 4K UHD, along with HD audio, 2-Way IR, RS-232, PoH (Power-over-HDBaseT), LAN and USB data signals up to 100 metres. Utilising the latest HDBaseT2.0 technology, this solution provides advanced signal management and dedicated audio pathways to ensure reliable results in the most demanding installation environments. In addition to the full 5Play convergence, this device also incorporates OAR (Optical Audio Return) and ARC (Audio Return Channel) functions which enable audio from a compatible display to be routed back from the receiver unit to the transmitter.

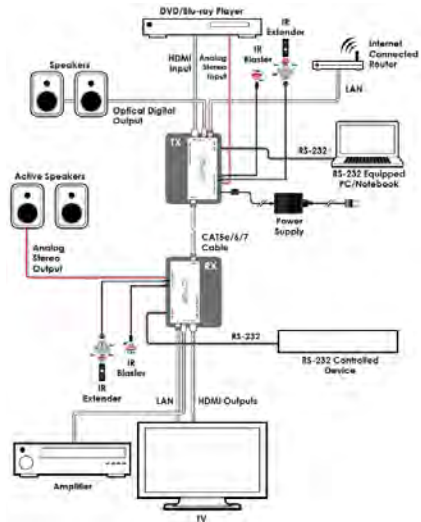
This system also allows the connection of any USB host, enabling a USB 2.0 connection to 2 x USB ports, giving the PU-2010RX Receiver the ability to act like a USB hub. All of these features are incorporated into an ultra-slim casing.

Features:

- Supports full HDBaseT2.0 specification signals can be received up to a maximum distance of 100 metres over Cat6a/7
- HDCP2.2, HDMI and DVI compatible
- HDBaseT 5Play convergence: High-Definition video and audio, 100BaseT Ethernet, PoH (Power-over-HDBaseT) and control (Bi-Directional IR and RS-232 pass through)
- Supported resolutions VGA-WUXGA, 480i-1080p, 4K UHD @ 24/25/30Hz (RGB 4:4:4 & YUV 4:2:2), 4K UHD @ 60Hz (YUV 4:2:0), 4K2K @ 24/25/30Hz (RGB 4:4:4 & YUV 4:2:2) and 4K2K @ 60Hz (YUV 4:2:0) dependent upon the output display's EDID settings
- Supports pass-through of HD audio formats: LPCM 2/5.1/7.1Ch, Dolby Digital 2/5.1Ch, Dolby Digital Plus, Dolby TrueHD, Dolby Atmos and DTS-HD Master Audio
- Optical audio return (OAR)
- Audio return channel (ARC)
- Dedicated channel for analogue stereo audio transmission from a compatible transmitter to receiver
- Receiver features 2 x USB 2.0 ports
- Ultra-slim chassis design for ease of installation
- Compatible with the PUV-2010TX & PUV-2010TXWP Transmitters

Specifications:

Model	PUV-2010RX
Inputs	1x RJ45 (1x HDBaseT2.0 HDMI & Propriety Data) 1x Toslink (1x Optical 2 Channel LPCM) 1x 3.5mm Stereo mini-jack (1x IR Emitter)
Outputs	1x HDMI (1x HDMI Uncompressed AV & Data) 2x USB Type A (2x USB Propriety Data) 1x 3.5mm Stereo mini-jack (1x IR Receiver) 1x Phoenix (3 pin) (1x Stereo (L/R) Audio Output) 1x Phoenix (3 pin) (1x RS-232)
Power	PoH
Dimensions	270(W) x 20(H) x 80(D)mm





PUV-2010TXWP

HDBaseT2.0 Wallplate Transmitter (incl. USB Data)



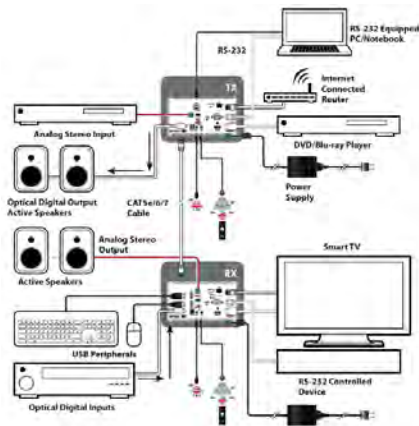
HDBaseT 5Play HDMI 4K UHD HDCP2.2

The **PUV-2010TXWP** Wallplate Transmitter enables transmission of video resolutions up to 4K UHD, along with HD audio, 2-Way IR, RS-232, PoH (Power-over-HDBaseT), LAN and USB data signals up to 100 metres. Utilising the latest HDBaseT2.0 technology, this solution provides advanced signal management and dedicated audio pathways to ensure reliable results in the most demanding of installation environments.

In addition to the full 5Play convergence, this device also incorporates OAR (Optical Audio Return) and ARC (Audio Return Channel) functions which enable audio from a compatible display to be routed back from the receiver unit to the transmitter.

Features:

- Supports full HDBaseT2.0 specification signals which can be received up to a maximum distance of 100 metres over Cat6a/7
- HDCP2.2, HDMI and DVI compatible
- HDBaseT 5Play convergence: High-Definition video and audio, 100BaseT Ethernet, PoH (Power-over-HDBaseT) and control (Bi-Directional IR and RS-232 pass through)
- Supported resolutions VGA-WUXGA, 480i-1080p, 4K UHD @ 24/25/30Hz (RGB 4:4:4 & YUV 4:2:2), 4K UHD @ 60Hz (YUV 4:2:0), 4K2K @ 24/25/30Hz (RGB 4:4:4 & YUV 4:2:2) and 4K2K @ 60Hz (YUV 4:2:0) dependent upon the output display's EDID settings
- 4K2K and 4K UHD signals can be transmitted up to 70 metres via Cat5e/6 and 100 metres via Cat6a/7
- Supports pass-through of HD audio formats: LPCM 2/5.1/7.1Ch, Dolby Digital 2/5.1Ch, Dolby Digital Plus, Dolby TrueHD, Dolby Atmos and DTS-HD Master Audio
- Optical audio return (OAR)
- Supports optical sampling rate up to 48kHz
- Audio return channel (ARC)
- Dedicated channel for analogue stereo audio transmission from the transmitter to a compatible receiver
- USB 2.0 Data Serving from Transmitter (single USB) to Receiver (2x USB)
- Fits in standard UK double-gang back-box

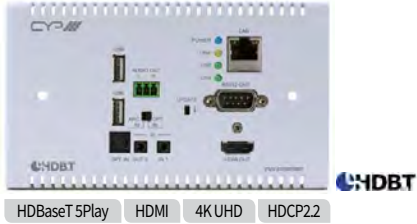


Specifications:

Model	PUV-2010TXWP
Inputs	1x HDMI (1x HDMI Uncompressed AV & Data) 1x USB Type B (1x USB Proprietary Data) 1x 3.5mm Stereo mini-jack (1x IR Emitter) 1x Phoenix (3 pin) (1x Stereo (L/R) Audio Input)
Outputs	1x RJ45 (1x HDBaseT2.0 HDMI & Proprietary Data) 1x Toslink (1x Optical DTS / Dolby Digital / 2 Channel LPCM) 1x 3.5mm Stereo mini-jack (1x IR Receiver) 1x 9pin Dsub (1x RS-232 Data)
Power	PoH/48v 0.83A
Dimensions	90(W) x 42(H) x 156(D)mm

PUV-2010RXWP

HDBaseT2.0 Wallplate Receiver (incl. USB Data)



The **PUV-2010RXWP** UK Wallplate Receiver supports video resolutions up to 4K UHD, along with HD audio, 2-Way IR, RS-232, PoH (Power-over-HDBaseT), LAN and USB data signals up to 100 metres. Utilising the latest HDBaseT2.0 technology, this solution provides advanced signal management and dedicated audio pathways to ensure reliable results in the most demanding of installation environments.

In addition to the full 5Play convergence, this device also incorporates OAR (Optical Audio Return) and ARC (Audio Return Channel) functions which enable audio from a compatible display to be routed back from the receiver unit to the transmitter.

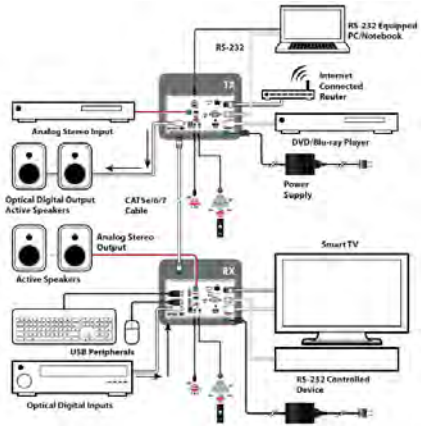
This system also allows the connection of any USB host, enabling a USB 2.0 connection to 2 x USB ports, giving the PU-2010RXWP Receiver the ability to act as a USB hub.

Features:

- Supports full HDBaseT2.0 specification signals which can be received up to a maximum distance of 100 metres over Cat6a/7
- HDCP2.2, HDMI and DVI compatible
- HDBaseT 5Play convergence: High-Definition video and audio, 100BaseT Ethernet, PoH (Power-over-HDBaseT) and control (Bi-Directional IR and RS-232 pass through)
- Supported resolutions VGA-WUXGA, 480i-1080p, 4K UHD @ 24/25/30Hz (RGB 4:4:4 & YUV 4:2:2), 4K UHD @ 60Hz (YUV 4:2:0), 4K2K @ 24/25/30Hz (RGB 4:4:4 & YUV 4:2:2) and 4K2K @ 60Hz (YUV 4:2:0) dependent upon the output display's EDID settings
- Supports pass-through of HD audio formats: LPCM 2/5.1/7.1Ch, Dolby Digital 2/5.1Ch, Dolby Digital Plus, Dolby TrueHD, Dolby Atmos and DTS-HD Master Audio
- Optical audio return (OAR)
- Audio return channel (ARC)
- Dedicated channel for analogue stereo audio transmission from a compatible transmitter to receiver
- Receiver features 2 x USB 2.0 ports
- Fits in a standard UK standard double-gang back-box
- Compatible with the PUV-2010TX & PUV-2010TXWP Transmitters

Specifications:

Model	PUV-2010RXWP
Inputs	1x RJ45 (1x HDBaseT2.0 HDMI & Proprietary Data) 1x Toslink (1x Optical DTS / Dolby Digital / 2 Channel LPCM) 1x 3.5mm Stereo mini-jack (1x IR Emitter)
Outputs	1x HDMI (1x HDMI Uncompressed AV & Data) 1x USB Type A (1x USB Proprietary Data) 1x 3.5mm Stereo mini-jack (1x IR Receiver) 1x Phoenix (3 pin) (1x Stereo (L/R) Audio Output) 1x 9pin Dsub (1x RS-232 Data)
Power	PoH/48v 0.83A
Dimensions	90(W) x 42(H) x 156(D)mm



PUV-2000TX

HDBaseT2.0 Slimline Transmitter

100m



HDBaseT 5Play HDMI 4K UHD HDCP2.2

The **PUV-2000TX** Slimline Transmitter enables transmission of video resolutions up to 4K UHD, along with HD audio, 2-Way IR, RS-232, PoH (Power-over-HDBaseT) and LAN signals up to 100 metres.

Utilising the latest HDBaseT2.0 technology, this solution provides advanced signal management and dedicated audio pathways to ensure reliable results in the most demanding installation environments. In addition to the full 5Play convergence, this device also incorporates OAR (Optical Audio Return) and ARC (Audio Return Channel) functions which enable audio from a compatible display to be routed back from the receiver unit to the transmitter.

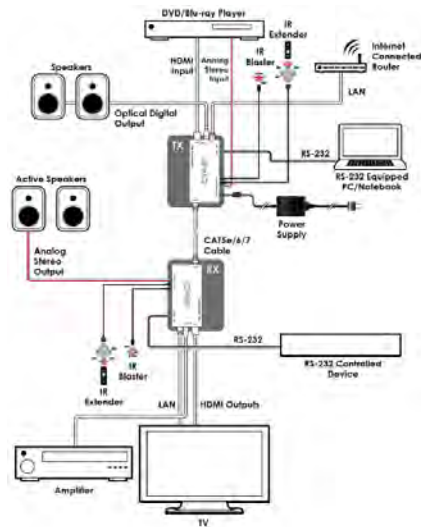
All of these features are incorporated into an ultra-slim casing, providing unrivalled flexibility and ease of installation.

Features:

- Supports full HDBaseT2.0 specification signals can be received up to a maximum distance of 100 metres over Cat6a/7
- HDCP2.2, HDMI and DVI compatible
- HDBaseT 5Play convergence: High-Definition video and audio, 100BaseT Ethernet, PoH (Power-over-HDBaseT) and control (Bi-Directional IR and RS-232 pass through)
- Supported resolutions VGA-WUXGA, 480i-1080p, 4K UHD @ 24/25/30Hz (RGB 4:4:4 & YUV 4:2:2), 4K UHD @ 60Hz (YUV 4:2:0), 4K2K @ 24/25/30Hz (RGB 4:4:4 & YUV 4:2:2) and 4K2K @ 60Hz (YUV 4:2:0) dependent upon the output display's EDID settings
- 4K2K and 4K UHD signals can be transmitted up to 70 metres via Cat5e/6 and 100 metres via Cat6a/7
- Supports pass-through of HD audio formats: LPCM 2/5.1/7.1Ch, Dolby Digital 2/5.1Ch, Dolby Digital Plus, Dolby TrueHD, Dolby Atmos and DTS-HD Master Audio
- Optical audio return (OAR)
- Audio return channel (ARC)
- Dedicated channel for analogue stereo audio transmission from the transmitter to a compatible receiver
- Ultra-slim chassis design for ease of installation
- Compatible with the PUV-2000RX Receiver

Specifications:

Model	PUV-2000TX
Inputs	1x HDMI (1x HDMI Uncompressed AV & Data) 1x RJ45 (1x LAN Serving) 1x 3.5mm Stereo mini-jack (1x IR Receiver) 1x Phoenix (3 pin) (1x Stereo (L/R) Audio Input)
Outputs	1x 3.5mm Stereo mini-jack (1x IR Emitter) 1x Toslink (1x Optical 2 Channel LPCM) 1x RJ45 (1x HDBaseT2.0 HDMI & Propriety Data) 1x Phoenix (3 pin) (1x RS-232)
Power	48v/0.83A
Dimensions	163(W) x 16(H) x 78(D)mm



PUV-2000RX

HDBaseT2.0 Slimline Receiver



HDBaseT 5Play HDMI 4K UHD HDCP2.2

The **PUV-2000RX** Slimline Receiver supports video resolutions up to 4K UHD, along with HD audio, 2-Way IR, RS-232, PoH (Power-over-HDBaseT) and LAN signals up to 100 metres.

Utilising the latest HDBaseT2.0 technology, this solution provides advanced signal management and dedicated audio pathways to ensure reliable results in the most demanding installation environments. In addition to the full 5Play convergence, this device also incorporates OAR (Optical Audio Return) and ARC (Audio Return Channel) functions which enable audio from a compatible display to be routed back from the receiver unit to the transmitter.

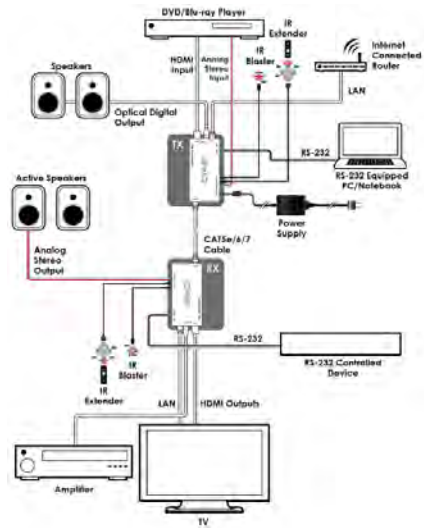
All of these features are incorporated into an ultra-slim casing.

Features:

- Supports full HDBaseT2.0 specification signals can be received up to a maximum distance of 100 metres over Cat6a/7
- HDCP2.2, HDMI and DVI compatible
- HDBaseT 5Play convergence: High-Definition video and audio, 100BaseT Ethernet, PoH (Power-over-HDBaseT) and control (Bi-Directional IR and RS-232 pass through)
- Supported resolutions VGA-WUXGA, 480i-1080p, 4K UHD @ 24/25/30Hz (RGB 4:4:4 & YUV 4:2:2), 4K UHD @ 60Hz (YUV 4:2:0), 4K2K @ 24/25/30Hz (RGB 4:4:4 & YUV 4:2:2) and 4K2K @ 60Hz (YUV 4:2:0) dependent upon the output display's EDID settings
- 4K2K and 4K UHD signals can be transmitted up to 70 metres via Cat5e/6 and 100 metres via Cat6a/7
- Supports pass-through of HD audio formats: LPCM 2/5.1/7.1Ch, Dolby Digital 2/5.1Ch, Dolby Digital Plus, Dolby TrueHD, Dolby Atmos and DTS-HD Master Audio
- Optical audio return (OAR)
- Audio return channel (ARC)
- Dedicated channel for analogue stereo audio transmission from a compatible transmitter to receiver
- Ultra-slim chassis design for ease of installation
- Compatible with the PUV-2000TX Transmitter

Specifications:

Model	PUV-2000RX
Inputs	1x RJ45 (1x HDBaseT2.0 HDMI & Proprietary Data) 1x Toslink (1x Optical 2 Channel LPCM) 1x 3.5mm Stereo mini-jack (1x IR Emitter)
Outputs	1x HDMI (1x HDMI Uncompressed AV & Data) 1x RJ45 (1x LAN Servicing) 1x 3.5mm Stereo mini-jack (1x IR Receiver) 1x Phoenix (3 pin) (1x Stereo (L/R) Audio Output) 1x Phoenix (3 pin) (1x RS-232)
Power	PoH
Dimensions	163(W) x 16(H) x 78(D)mm



PUV-1830TX-AVLC

HDBaseT HDR Transmitter (incl. Optical Audio Return)

100m



HDBaseT 5Play HDMI AVLC 4K UHD 18Gbps HDCP2.2

The **PUV-1830TX-AVLC** Transmitter enables video resolutions up to 4K UHD including 10/12-bit HDR and Dolby Vision, to be transmitted along with HD audio, 2-Way IR, RS-232, PoH (Power-over-HDBaseT) and LAN signals up to a distance of 100 metres. This solution provides advanced signal management ensuring reliable results in the most demanding installation environments. All audio, video, control and power are transmitted simultaneously over a single Cat6a/7 cable up to 100 metres @ 4K 3G and 1080p, 70 metres @ 4K 6G.

Despite the 10.2Gbps limitation of HDBaseT technology, this groundbreaking product enables data rates of up to 18Gbps to be transmitted using AVLC (Adaptive Visually Lossless Compression) Technology.

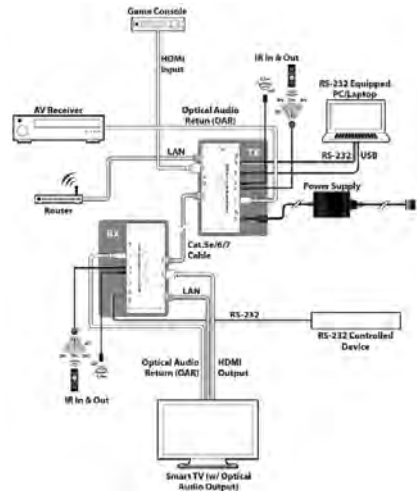
The transmitter enables 4K UHD sources up to and including 4K@60Hz (4:4:4 8-bit) as well as 10/12 bit sources with HDR (Including Dolby Vision) to be extended to a compatible receiver. The result is a perfect 4K 6G visually lossless image delivered to the display screen.

Features:

- HDBaseT 5Play convergence: High-Definition video and audio, 100BaseT Ethernet, PoH (Power-over-HDBaseT) and control (Bi-Directional IR and RS-232 pass through)
- Supports up to 4K UHD (18Gbps, 4K @ 50/60Hz 4:4:4 8-bit) video input
- AVLC (Adaptive Visually Lossless Compression)
- AVLC features manual selection between High Quality and Standard compression (Useful for longer cable runs)
- Supports OAR (Optical Audio Return)
- Supports 10-bit and 12-bit HDR (High Dynamic Range)
- Supports output resolutions up to 4K @ 50/60Hz (4:4:4 8-bit)
- Supports Deep Colour input and output up to 12-bit
- Supports CEC Bypass
- 4K 3G timings and 1080p up to 100 metres, 4K 6G timings up to 70 metres
- Supports pass-through of HD audio formats: LPCM 2/5.1/7.1Ch, Dolby Digital 2/5.1Ch, Dolby Digital Plus, Dolby TrueHD, Dolby Atmos and DTS-HD Master Audio
- Compatible with the PUV-1830RX-AVLC Receiver

Specifications:

Model	PUV-1830TX-AVLC
Inputs	1x HDMI (1x HDMI Uncompressed AV & Data) 1x 3.5mm Stereo mini-jack (1x IR Receiver) 1x Phoenix (3 pin) (1x RS-232) 1x RJ45 (1x LAN Servng) 1x USB Mini B (1x Service Port Propriety Data)
Outputs	1x RJ45 (1x HDBaseT HDMI & Propriety Data) 1x Toslink (1x Optical 2 Channel LPCM/DTS/ Dolby Digital) 1x 3.5mm Stereo mini-jack (1x IR Emitter)
Power	PoH/48v 0.83A
Dimensions	80(W) x 20(H) x 165(D)mm



PUV-1830RX-AVLC

HDBaseT HDR Receiver (incl. Optical Audio Return)



HDBaseT 5Play HDMI AVLC 4K UHD 18Gbps HDCP2.2

The new **PUV-1830RX-AVLC** Receiver enables video resolutions up to 4K UHD including 10/12-bit HDR and Dolby Vision, to be received along with HD audio, 2-Way IR, RS-232, PoH (Power-over-HDBaseT) and LAN signals from a distance of 100 metres. This solution provides advanced signal management ensuring reliable results in the most demanding installation environments. All audio, video, control and power are received simultaneously over a single Cat6a/7 cable up to 100 metres @ 4K 3G and 1080p, 70 metres @ 4K 6G.

Despite the 10.2Gbps limitation of HDBaseT technology, this groundbreaking product enables data rates of up to 18Gbps to be received using AVLC (Adaptive Visually Lossless Compression) Technology.

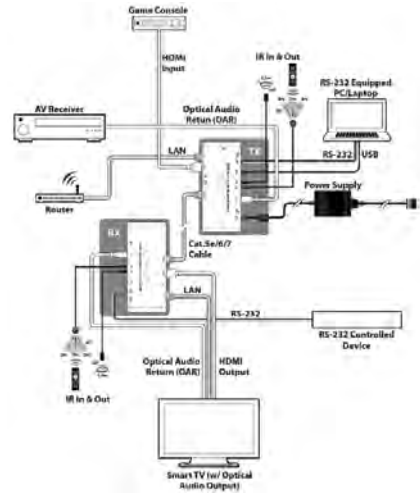
The receiver enables 4K UHD sources up to and including 4K@60Hz (4:4:4 8-bit) as well as 10/12 bit sources with HDR (Including Dolby Vision) to be received over distance from a compatible transmitter. The result is a perfect 6G 4K visually lossless image delivered to the display screen.

Features:

- HDBaseT 5Play convergence: High-Definition video and audio, 100BaseT Ethernet, PoH (Power-over-HDBaseT) and control (Bi-Directional IR and RS-232 pass through)
- Supports up to 4K UHD (18Gbps, 4K @ 50/60Hz 4:4:4 8-bit) video output
- AVLC (Adaptive Visually Lossless Compression)
- AVLC features manual selection between High Quality and Standard compression from TX (Useful for longer cable runs)
- Supports 10-bit and 12-bit HDR (High Dynamic Range)
- Supports output resolutions up to 4K @ 50/60Hz (4:4:4 8-bit)
- Supports OAR (Optical Audio Return)
- Supports Deep Colour input and output up to 12-bit
- Supports CEC Bypass
- 4K 3G timings and 1080p up to 100 metres, 4K 6G timings up to 70 metres
- Supports pass-through of HD audio formats: LPCM 2/5.1/7.1Ch, Dolby Digital 2/5.1Ch, Dolby Digital Plus, Dolby TrueHD, Dolby Atmos and DTS-HD Master Audio
- Compatible with the PUV-1830TX-AVLC & PUV-1820TX-AVLC Transmitters

Specifications:

Model	PUV-1830RX-AVLC
Inputs	1x RJ45 (1x HDBaseT HDMI & Proprietary Data) 1x Toslink (1x OAR digital pathway 2 Channel LPCM/DTS/Dolby Digital) 1x 3.5mm Stereo mini-jack (1x IR Receiver) 1x USB Type A (1x Service Port Proprietary Data)
Outputs	1x HDMI (1x HDMI Uncompressed AV & Data) 1x 3.5mm Stereo mini-jack (1x IR Emitter) 1x RJ45 (1x LAN Serving) 1x Phoenix (3 pin) (1x RS-232)
Power	PoH/48v 0.83A
Dimensions	80(W) x 20(H) x 165(D)mm





PUV-1820TX-AVLC

HDBaseT HDR Transmitter (1x HDBaseT + 1x HDMI Output)



HDBaseT5Play HDMI AVLC 4K UHD 18Gbps HDCP2.2

The **PUV-1820TX-AVLC** Transmitter enables video resolutions up to 4K UHD including 10/12-bit HDR and Dolby Vision, to be transmitted along with HD audio, 2-Way IR, RS-232, PoH (Power-over-HDBaseT) and LAN signals up to a distance of 100 metres. This solution provides advanced signal management ensuring reliable results in the most demanding installation environments. All audio, video, control and power are transmitted simultaneously over a single Cat6a/7 cable up to 100 metres @ 4K 3G and 1080p, 70 metres @ 4K 6G.

Despite the 10.2Gbps limitation of HDBaseT technology, this groundbreaking product enables data rates of up to 18Gbps to be transmitted using AVLC (Adaptive Visually Lossless Compression) Technology.

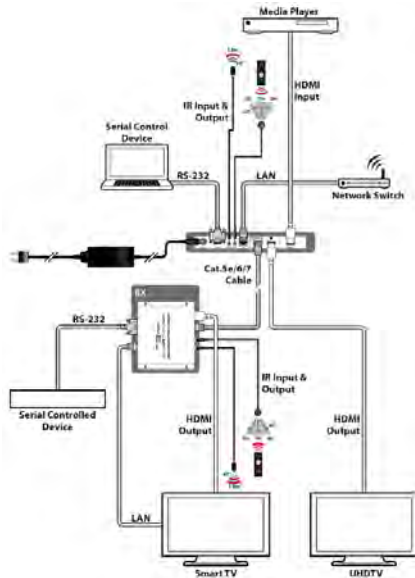
The transmitter enables 4K UHD sources up to and including 4K@60Hz (4:4:4 8-bit) as well as 10/12 bit sources with HDR (Including Dolby Vision) to be extended to a compatible receiver. The result is a perfect 4K 6G visually lossless image delivered to the display screen.

Features:

- HDBaseT 5Play convergence: High-Definition video and audio, 100BaseT Ethernet, PoH (Power-over-HDBaseT) and control (Bi-Directional IR and RS-232 pass through)
- Supports up to 4K UHD (18Gbps, 4K @ 50/60Hz 4:4:4 8-bit) video input
- 1 x HDMI Input, 1 x HDBaseT Output, 1 x HDMI Local Output
- AVLC (Adaptive Visually Lossless Compression)
- AVLC features manual selection between High Quality and Standard compression (useful for longer cable runs)
- Supports output resolutions up to 4K @ 50/60Hz (4:4:4 8-bit)
- Supports 10-bit and 12-bit HDR (High Dynamic Range)
- Supports Deep Colour input and output up to 12-bit
- Supports CEC Bypass
- 4K 3G timings and 1080p up to 100 metres, 4K 6G timings up to 70 metres
- Supports pass-through of HD audio formats: LPCM 2/5.1/7.1Ch, Dolby Digital 2/5.1Ch, Dolby Digital Plus, Dolby TrueHD, Dolby Atmos and DTS-HD Master Audio
- Compatible with the PUV-1830RX-AVLC Receiver

Specifications:

Model	PUV-1820TX-AVLC
Inputs	1x HDMI (1x HDMI Uncompressed AV & Data) 1x 3.5mm Stereo mini-jack (1x IR Receiver) 1x 9pin Dsub (1x RS-232 Data) 1x RJ45 (1x LAN Servng) 1x USB Mini B (1x Service Port Propriety Data)
Outputs	1x HDMI (1x HDMI Uncompressed AV & Data) 1x RJ45 (1x HDBaseT AVLC HDMI & Propriety Data) 1x 3.5mm Stereo mini-jack (1x IR Emitter)
Power	24v/2.7A
Dimensions	231(W) x 25(H) x 117(D)mm





howtoAV.tv

FREE AV training videos
from our multi-award
winning channel:

www.HowToAV.tv

PUV-1810TX-AVLC | RX-AVLC

HDBaseT HDR Transmitter (TX) | Receiver (RX)

100m



The **PUV-1810TX-AVLC Transmitter** | **PUV-1810RX-AVLC Receiver** enable video resolutions up to 4K UHD including 10/12-bit HDR and Dolby Vision, to be transmitted along with HD audio, 2-Way IR, RS-232, PoH (Power-over-HDBaseT) and LAN signals up to a distance of 100 metres. This solution provides advanced signal management ensuring reliable results in the most demanding installation environments. All audio, video, control and power are transmitted simultaneously over a single Cat6a/7 cable up to 100 metres @ 4K 3G and 1080p, 70 metres @ 4K 6G.

Despite the 10.2Gbps limitation of HDBaseT technology, these groundbreaking products enable data rates of up to 18Gbps to be transferred using AVLC (Adaptive Visually Lossless Compression) Technology.

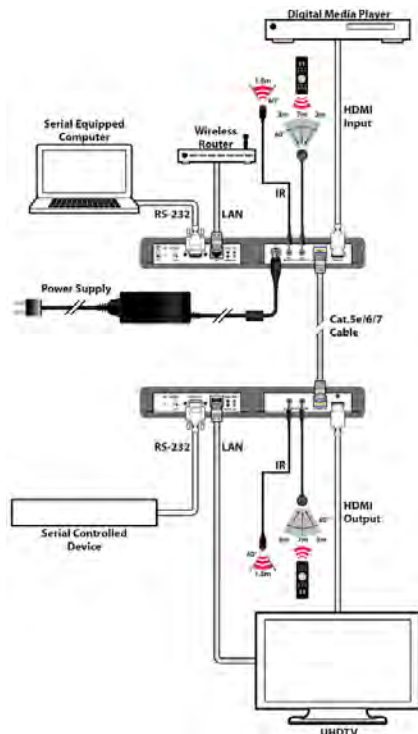
The PUV-1810TX-AVLC Transmitter enables 4K UHD sources up to and including 4K@60Hz (4:4:4 8-bit) as well as 10/12 bit sources with HDR (including Dolby Vision) to be extended to the PUV-1810RX-AVLC Receiver.

Features:

- HDBaseT 5Play convergence: High-Definition video and audio, 100BaseT Ethernet, PoH (Power-over-HDBaseT) and control (Bi-Directional IR and RS-232 pass through)
- Supports up to 4K UHD (18Gbps, 4K @ 50/60Hz 4:4:4 8-bit) video input
- AVLC (Adaptive Visually Lossless Compression)
- AVLC features manual selection between High Quality and Standard compression (Useful for longer cable runs)
- Supports 10-bit and 12-bit HDR (High Dynamic Range)
- Supports output resolutions up to 4K @ 50/60Hz (4:4:4 8-bit)
- Supports Deep Colour input and output up to 12-bit
- Supports CEC Bypass
- 4K 3G timings and 1080p up to 100 metres, 4K 6G timings up to 70 metres
- Supports pass-through of HD audio formats

Specifications:

Model	PUV-1810TX-AVLC	PUV-1810RX-AVLC
Device	Transmitter	Receiver
Inputs	1x HDMI (1x HDMI Uncompressed AV & Data) 1x 9pin Dsub (1x RS-232 Data) 1x 3.5mm Stereo mini-jack (1x IR Receiver) 1x RJ45 (1x LAN Servng)	1x RJ45 (1x HDBaseT HDMI & Propriety Data) 1x 3.5mm Stereo mini-jack (1x IR Receiver)
Outputs	1x RJ45 (1x HDBaseT HDMI & Propriety Data) 1x 3.5mm Stereo mini-jack (1x IR Emitter)	1x HDMI (1x HDMI Uncompressed AV & Data) 1x 9pin Dsub (1x RS-232 Data) 1x 3.5mm Stereo mini-jack (1x IR Emitter) 1x RJ45 (1x LAN Servng)
Power	48v/0.83A	PoH
Dimensions	116(W) x 25(H) x 128(D) mm	



PUV-1730PLTX-AVLC | RX-AVLC

HDBaseT HDR Transmitter (TX) | Receiver (RX) (incl. OAR)



HDBaseT Lite HDMI 4K UHD HDCP2.2 18Gbps AVLC

The new **PUV-1730LTX-AVLC Transmitter** | **PUV-1730LRX-AVLC Receiver** enable video resolutions up to 4K UHD including 10/12-bit HDR10 and Dolby Vision, to be transmitted along with HD audio, 2-Way IR, RS-232, PoH (Power-over-HDBaseT) signals up to a distance of 70 metres. This solution provides advanced signal management ensuring reliable results in the most demanding installation environments. All audio, video, control and power are transmitted simultaneously over a single Cat6a/7 cable up to 70 metres @ 4K 3G and 1080p, 35 metres @ 4K 6G. Using the OAR (Optical Audio Return) feature, audio can be received from the display and de-embedded from the Transmitter.

Despite the 10.2Gbps limitation of HDBaseT technology, these groundbreaking products enable data rates of up to 18Gbps to be received using AVLC (Adaptive Visually Lossless Compression) Technology.

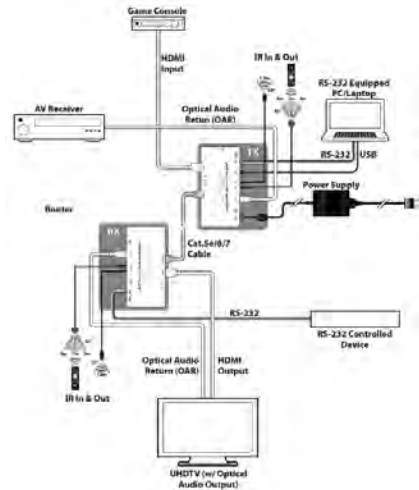
The receiver enables 4K UHD sources up to and including 4K@60Hz (4:4:4 8-bit) as well as 10/12 bit sources with HDR (including Dolby Vision) to be received over distance from the transmitter.

Features:

- HDBaseT Lite convergence: High-Definition video and audio, PoH (Power-over-HDBaseT) and control (Bi-Directional IR and RS-232 pass through)
- Supports up to 4K UHD (18Gbps, 4K @ 50/60Hz 4:4:4 8-bit) video input
- AVLC (Adaptive Visually Lossless Compression)
- AVLC features manual selection between High Quality and Standard compression (Useful for longer cable runs)
- Supports 10-bit and 12-bit HDR (High Dynamic Range)
- Supports output resolutions up to 4K @ 50/60Hz (4:4:4 8-bit)
- Supports Deep Colour input and output up to 12-bit
- Supports CEC Bypass
- OAR (Optical Audio Return)
- 4K 3G timings and 1080p up to 70 metres, 4K 6G timings up to 35 metres
- Supports pass-through of HD audio formats

Specifications:

Model	PUV-1730PLTX-AVLC	PUV-1730PLRX-AVLC
Device	Transmitter	Receiver
Inputs	1x HDMI (1x HDMI Uncompressed AV & Data) 1x 3.5mm Stereo mini-jack (1x IR Receiver) 1x Phoenix (3 pin) (1x RS-232)	1x RJ45 (1x HDBaseT HDMI & Proprietary Data) 1x Toslink (1x OAR pathway DTS / Dolby Digital / 2 Channel LPCM) 1x 3.5mm Stereo mini-jack (1x IR Receiver)
Outputs	1x RJ45 (1x HDBaseT HDMI & Proprietary Data) 1x Toslink (1x OAR Optical audio DTS/Dolby Digital/2 Channel LPCM)	1x HDMI (1x HDMI Uncompressed AV & Data) 1x 3.5mm Stereo mini-jack (1x IR Emitter) 1x 9pin Dsub (1x RS-232 Data)
Power	48v/0.83A	PoH
Dimensions	165(W) x 20(H) x 80(D) mm	





PUV-1710LTX-AVLC | RX-AVLC

HDBaseT HDR Transmitter (TX) | Receiver (RX)

70m



The new **PUV-1710LTX-AVLC Transmitter** | **PUV-1710LRX-AVLC Receiver** enable video resolutions up to 4K UHD including 10/12-bit HDR and Dolby Vision, to be transmitted along with HD audio, 2-Way IR, RS-232, PoH (Power-over-HDBaseT) signals up to a distance of 70 metres. This solution provides advanced signal management ensuring reliable results in the most demanding installation environments. All audio, video, control and power are transmitted/received simultaneously over a single Cat6a/7 cable up to 70 metres.

Despite the 10.2Gbps limitation of HDBaseT technology, this groundbreaking product enables data rates of up to 18Gbps to be transmitted using AVLC (Adaptive Visually Lossless Compression) Technology.

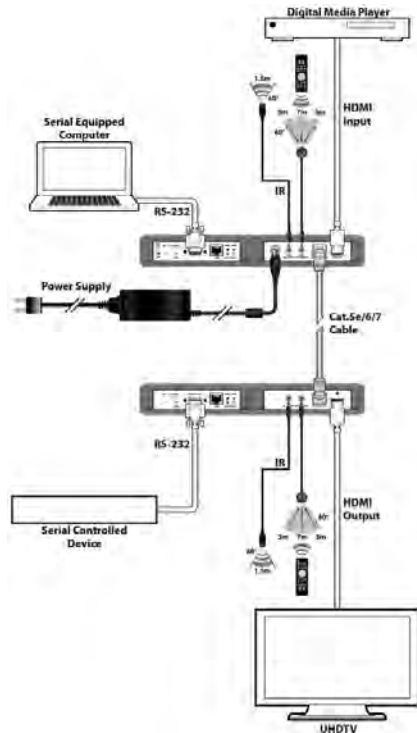
The transmitter enables 4K UHD sources up to and including 4K@60Hz (4:4:4 8-bit) as well as 10/12 bit sources with HDR (Including Dolby Vision) to be extended to a compatible receiver.

Features:

- Supported HDBaseT Lite feature set: HD Video and Audio, 48v PoH, and Control (Bi-directional IR/RS-232 pass-through)
- Supports up to 4K UHD (18Gbps, 4K @ 50/60Hz 4:4:4 8-bit) video input
- AVLC (Adaptive Visually Lossless Compression)
- AVLC features manual selection between High Quality and Standard compression (Useful for longer cable runs)
- Supports 10-bit and 12-bit HDR (High Dynamic Range)
- Supports output resolutions up to 4K @ 50/60Hz (4:4:4 8-bit)
- Supports Deep Colour input and output up to 12-bit
- Supports CEC Bypass
- 4K 3G timings and 1080p up to 70 metres, 4K 6G timings up to 35 metres
- Supports pass-through of HD audio formats: LPCM 2/5.1/7.1Ch, Dolby Digital 2/5.1Ch, Dolby Digital Plus, Dolby TrueHD, Dolby Atmos and DTS-HD Master Audio

Specifications:

Model	PUV-1710LTX-AVLC	PUV-1710LRX-AVLC
Device	Transmitter	Receiver
Inputs	1x HDMI (1x HDMI Uncompressed AV & Data) 1x 9pin Dsub (1x RS-232 Data) 1x 3.5mm Stereo mini-jack (1x IR Receiver)	1x RJ45 (1x HDBaseT HDMI & Propriety Data) 1x 3.5mm Stereo mini-jack (1x IR Receiver)
Outputs	1x RJ45 (1x HDBaseT HDMI & Propriety Data) 1x 3.5mm Stereo mini-jack (1x IR Emitter)	1x HDMI (1x HDMI Uncompressed AV & Data) 1x 9pin Dsub (1x RS-232 Data) 1x 3.5mm Stereo mini-jack (1x IR Emitter)
Power	48v/0.83A	PoH
Dimensions	116(W) x 25(H) x 128(D)mm	



PUV-1650TX | RX

Multi-Format HDBaseT Transmitter (TX) | Receiver (RX)



The **PUV-1650TX Transmitter** | **PUV-1650RX Receiver** have been designed with collaboration in mind; it's the perfect turnkey solution for extending and switching video in commercial applications.

The PUV-1650TX/RX not only provide total AV conversion and extension, they also add a level of system control throughout the meeting space. The TX unit includes HDMI, DisplayPort and VGA inputs offering total meeting space compatibility. Sources can be transmitted/received up to 100 metres (1080p) and 4K@60Hz (4:2:0 8-bit) can be transmitted/received over 70 metres over Cat 6/7 cable. The PUV-1650RX Receiver can scale the HDBaseT video source or local HDMI input to match the connected display's resolution requirements.

The PUV-1650 differs from other HDBaseT extender sets with its additional layer of control. This unit provides an interface for a remote control keypad or trigger interface which could be placed in a variety of installation scenarios (Lecterns, meeting room tables, podiums, etc...).

Features:

- HDMI, DisplayPort and VGA inputs
- Input resolution support up to 4K@60Hz (4:4:4 8-bit) HDMI and DisplayPort
- HDBaseT 5Play convergence: High-Definition video and audio, 100BaseT Ethernet, PoH (Power-over-HDBaseT) and control (Bi-directional IR/RS-232 pass-through)
- HDCP2.2 compliant
- HDBaseT supported resolutions VGA-WUXGA, 480i-1080p, 4K UHD @ 24/25/30Hz (RGB 4:4:4 & YUV 4:2:2), 4K UHD @ 60Hz (YUV 4:2:0), 4K2K @ 24/25/30Hz (RGB 4:4:4 & YUV 4:2:2) and 4K2K @ 60Hz (YUV 4:2:0) dependent upon the output display's EDID settings
- 4K2K and 4K UHD signals can be transmitted up to 70 metres via Cat5e/6 and 100 metres via Cat6a/7
- Supports pass-through of HD audio formats: LPCM 2/5.1/7.1Ch, Dolby Digital 2/5.1Ch, Dolby Digital Plus, Dolby TrueHD, Dolby Atmos and DTS-HD Master Audio
- WebGUI user programmable control interface for timed events within the meeting space
- Supports HDCP repeating and CEC functions
- OSD, WebGUI, RS232, LAN and Push Button Control
- IR Learning and Re-transmission of control signals
- Control Trigger Input
- Collaboration Mode for easy setup with compatible devices

Specifications:

Model	PUV-1650TX	PUV-1650RX
Device	Transmitter	Receiver
Inputs	1x HDMI (1x HDMI Uncompressed AV & Data) 1x DisplayPort 1x 15pin Dsub (1x RGBHV) 1x 3.5mm Stereo mini-jack 1x Phoenix 1x 9pin Dsub (1x RS-232 Data) 1x 3.5mm Stereo mini-jack (1x IR Receiver) 1x RJ45 (1x LAN Servicing) 1x USB Type A (1x Service Port Propriety Data)	1x HDMI (1x HDMI Uncompressed AV & Data) 1x RJ45 (1x HDBaseT HDMI & Propriety Data) 1x 3.5mm Stereo mini-jack (1x IR Receiver) 1x USB Type A
Outputs	1x HDMI (1x HDMI Uncompressed AV & Data) 1x RJ45 (1x HDBaseT HDMI & Propriety Data) 1x 3.5mm Stereo mini-jack (1x IR Emitter)	1x HDMI (1x HDMI Uncompressed AV & Data) 1x Phoenix (5 pin) (1x Analogue Stereo (Balanced/Unbalanced)) 2x Phoenix (2 pin) (2x Contact Closure Relay Outputs) 1x 9pin Dsub (1x RS-232 Data) 1x RJ45 (1x LAN Servicing) 1x 3.5mm Stereo mini-jack (1x IR Emitter)
Power	24w/1.25A	PoH
Dimensions	117(W) x 25(H) x 213(D) mm	

PUV-1630TXWP

2x HDMI/ 1x VGA HDBaseT Wallplate Transmitter



HDBaseT 5Play HDMI VGA 4K UHD HDCP2.2

The **PUV-1630TXWP** Transmitter is a 2 x HDMI, 1 x VGA Switching Transmitter which allows uncompressed HDMI and VGA signals to be transmitted over a single Cat5e/6/7 cable. This solution has the added features of analogue audio embedding and a LAN connection over the same Cat5e/6/7 cable. These combined HDMI and control signals can be transmitted up to lengths of 100 metres to a compatible PUV-1600 Series Receiver. When a device is connected to the PUV-1630TXWP, CEC control can be applied to 'power up' the connected display and select the correct HDMI input channel.

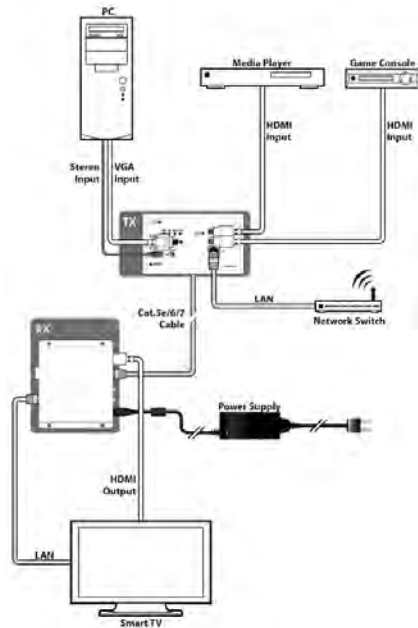
This unit also supports automatic input detection between the HDMI and the VGA inputs using hot plug detection, offering the user 'hands free' control of the device. Despite the 10.2Gbps bandwidth limitation of HDBaseT this clever transmitter will automatically convert signals of higher bandwidths ensuring any HDMI 4K UHD signal can be passed through the HDBaseT system. The unit is powered by PoH supplied by a compatible PUV-1600 Series Receiver.

Features:

- HDBaseT: High-Definition video and audio, 100BaseT Ethernet, PoH (Power-over-HDBaseT)
- HDMI 2.0 and DVI 1.0 compatible
- HDCP2.2 compliant
- 2 x HDMI Input
- 1 x VGA Input with 3.5mm mini-jack analogue audio input
- Automatic conversion of 4K@50/60Hz HDMI sources to 4K@30Hz (4:4:4 8-Bit) for transmission over HDBaseT
- Supports VGA input resolutions up to WUXGA (RGB)
- Auto Switching
- CEC Control
- Front panel push button control
- Front panel LEDs to indicate input selection, link status and power

Specifications:

Model	PUV-1630TXWP
Inputs	2x HDMI (2x HDMI Uncompressed AV & Data) 1x 15pin Dsub (1x VGA RGBHV) 1x 3.5mm Stereo mini-jack (1x Analogue audio Stereo(L/R)) 1x RJ45 (1x LAN Serving)
Outputs	1x RJ45 (1x HDBaseT HDMI & Proprietary Data)
Power	PoH
Dimensions	152(W) x 40(H) x 81(D)mm



PUV-1630TTX

2x HDMI/ 1x VGA HDBaseT Table-top Transmitter



HDBaseT 5Play HDMI VGA 4K UHD HDCP2.2

Presentation equipment in corporate meeting rooms can be difficult to operate and creates challenges when connecting a source to the installed AV system. Flexible meeting rooms are also becoming more common place, which is where the **PUV-1630TTX** provides the perfect balance between ease of use and portability.

The PUV-1630TTX Transmitter is a 2 x HDMI, 1 x VGA switch which allows uncompressed HDMI and VGA signals to be transmitted over a single Cat5e/6/7 cable. This solution has the added features of analogue audio embedding and a LAN connection over the same Cat5e/6/7 cable. These combined HDMI and control signals can be transmitted up to lengths of 100 metres to a compatible PUV-1600 Series Receiver. When a device is connected to the PUV-1630TTX, CEC control can be applied to 'power up' the connected display and select the correct HDMI input channel.

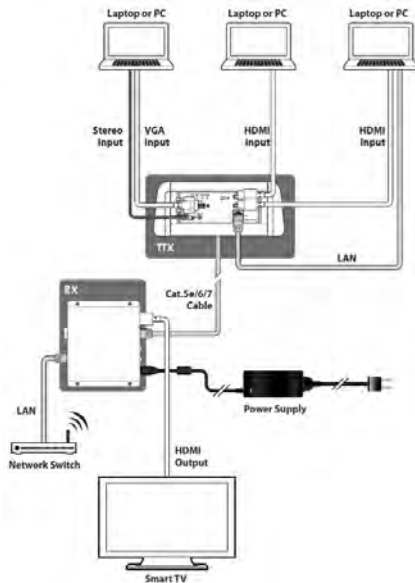
This unit also supports automatic input detection between the HDMI and the VGA inputs using hot plug detection, offering the user 'hands free' control of the device. Despite the 10.2Gbps bandwidth limitation of HDBaseT this clever transmitter will automatically convert signals of higher bandwidths ensuring any HDMI 4K UHD signal can be passed through the HDBaseT system. The unit also features push button control on the front of the panel and is powered by PoH supplied by a compatible PUV-1600 Series Receiver.

Features:

- HDBaseT: High-Definition video and audio, 100BaseT Ethernet, PoH (Power-over-HDBaseT)
- HDMI 2.0 and DVI 1.0 compatible
- HDCP2.2 compliant
- 2x HDMI Input
- 1x VGA Input with 3.5mm mini-jack analogue audio input
- Automatic conversion of 4K@50/60Hz HDMI sources to 4K@30Hz (4:4:4 8-Bit) for transmission over HDBaseT
- Supports VGA input resolutions up to WUXGA (RGB)
- Auto Switching
- CEC Control
- Front panel push button control
- Front panel LEDs to indicate input selection, link status and power

Specifications:

Model	PUV-1630TTX
Inputs	2x HDMI (2x HDMI Uncompressed AV & Data) 1x 15pin Dsub (1x VGA RGBHV) 1x 3.5mm Stereo mini-jack (1x Analogue audio Stereo(L/R)) 1x RJ45 (1x LAN Serving)
Outputs	1x RJ45 (1x HDBaseT HDMI & Proprietary Data)
Power	PoH
Dimensions	130(W) x 45(H) x 50(D)mm



PUV-1620S-TX

HDMI/VGA HDBaseT Transmitter Switcher/Scaler

100m



HDBaseT 5Play HDMI VGA 4K UHD HDCP2.2

The **PUV-1620S-TX** is designed to scale and convert HDMI and PC video, with optional analogue audio embedding, for extension over long distances to a compatible PUV-1600 Series HDBaseT Receiver. The HDMI input supports resolutions up to 4K@60Hz (4:2:0) and the VGA input supports resolutions up to 1080p@60Hz/WUXGA@60Hz. The scaled HDBaseT output supports resolutions from 640×480@60Hz up to 4K@60Hz (4:2:0, 8-bit) and provides the ability to adjust the image with a number of fine tuning options.

In addition, this unit supports 7.1 channel LPCM digital audio as well as advanced Bitstream and HD Bitstream audio formats via the HDMI input or analogue stereo audio may be embedded from the stereo mini-jack connector.

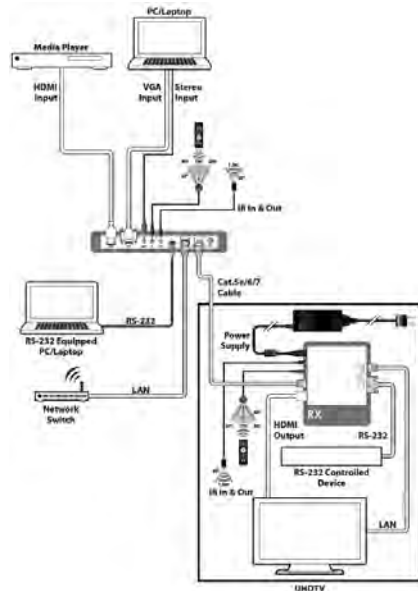
The unit can be powered locally or via 48v PoH (Power-over-HDBaseT) from a compatible HDBaseT Receiver.

Features:

- HDCP 1.1 and HDCP2.2 compliant
- 1 x HDMI and 1 x PC (VGA) input
- 1 x Analogue Stereo Audio input
- 1 x HDBaseT output
- HDMI input supports input resolutions up to 4K@60Hz
- VGA input supports resolutions up to 1080p@60Hz/WUXGA@60Hz
- Scaled HDBaseT output supports resolutions from 640×480@60Hz up to 4K@60Hz (4:2:0, 8-bit)
- HDBaseT feature support: HD Video and Audio, 100BaseT Ethernet, 48v PoH and Control (bi-directional IR/RS-232 pass-through)
- Simultaneous transmission of uncompressed video, audio and data over a single Cat.5e/6/7 cable up to 100 metres at 1080p and 70 metres at 4K
- Supports pass-through of LPCM 7.1, Bitstream and HD Bitstream audio formats
- Analogue stereo audio embedding support via Stereo mini-jack (3.5mm)
- Unit may be powered locally or via 48v PoH from a compatible HDBaseT Receiver (PUV-1600 Series)
- Controlled via front panel buttons with comprehensive OSD

Specifications:

Model	PUV-1620S-TX
Inputs	1x HDMI (1x HDMI Uncompressed AV & Data) 1x 15pin Dsub (1x VGA RGBHV) 1x 3.5mm Stereo mini-jack (1x Analogue Stereo(L/R)) 1x Phoenix (3 pin) (1x RS-232) 1x 3.5mm Stereo mini-jack (1x IR Receiver) 1x RJ45 (1x LAN Servng) 1x USB Type A (1x Service Port Propriety Data)
Outputs	1x RJ45 (1x HDBaseT HDMI & Propriety Data) 1x 3.5mm Stereo mini-jack (1x IR Emitter)
Power	5v/3.2A, PoH
Dimensions	158(W) x 25(H) x 231(D)mm



PUV-1610TX | RX

HDBaseT Transmitter (TX) | Receiver (RX)



The **PUV-1610TX Transmitter** | **PUV-1610RX Receiver** enable transmission of video resolutions up to 4K UHD, along with HD audio, 2-Way IR, RS-232 and PoH (Power-over-HDBaseT) over standard Ethernet cable.

This solution provides advanced signal management ensuring reliable results in the most demanding installation environments. All audio, video, control and power are transmitted simultaneously over a single Cat6a/7 cable up to 100 metres.

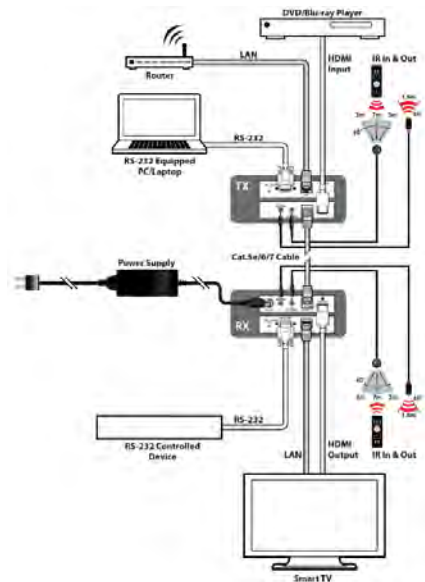
A key feature of the PUV-1600 Series is that the power is sent to the TX from the mains-powered RX. This offers additional flexibility when integrating and designing commercial AV systems.

Features:

- Supports uncompressed video/audio up to 10.2Gbps
- HDCP2.2 compliant
- Supports resolutions VGA-WUXGA, 480i-1080p, 4K UHD @ 24/25/30Hz (RGB 4:4:4 & YUV 4:2:2), 4K UHD @ 60Hz (YUV 4:2:0), 4K2K @ 24/25/30Hz (RGB 4:4:4 & YUV 4:2:2) and 4K2K @ 60Hz (YUV 4:2:0) dependent upon the output display's EDID settings
- 4K2K and 4K UHD signals can be transmitted up to 70 metres via Cat5e/6 and 100 metres via Cat6a/7
- 1080p signals can be transmitted up to 100 metres via Cat5e/6/6a/7
- Audio support up to 7.1Ch and Dolby TrueHD, DTS-HD
- 5Play convergence: HDMI, LAN, PoH and Control (IR & RS232)
- PoH received from the mains powered RX

Specifications:

Model	PUV-1610TX	PUV-1610RX
Device	Transmitter	Receiver
Inputs	1x HDMI (1x HDMI Uncompressed AV & Data) 1x 9pin Dsub (1x RS-232 Data) 1x 3.5mm Stereo mini-jack (1x IR Receiver)	1x RJ45 (1x HDBaseT HDMI & Proprietary Data) 1x 3.5mm Stereo mini-jack (1x IR Receiver)
Outputs	1x RJ45 (1x HDBaseT HDMI & Proprietary Data) 1x 3.5mm Stereo mini-jack (1x IR Emitter) 1x RJ45 (1x Ethernet (I/O) IP)	1x HDMI (1x HDMI Uncompressed AV & Data) 1x 9pin Dsub (1x RS-232 Data) 1x 3.5mm Stereo mini-jack (1x IR Emitter)
Power	48v/0.83A	PoH
Dimensions	116(W) x 27(H) x 106(D) mm	





PUV-1605S-TXWP

HDMI/VGA HDBaseT Wallplate Scaler Transmitter



HDBaseT 5Play HDMI VGA 4K UHD HDCP2.2

The **PUV-1605S-TXWP** Wallplate Transmitter is a HDMI/VGA switch which allows uncompressed HDMI and VGA signals to be transmitted over a single Cat5e/6/7 cable. This solution has the added features of analogue audio embedding, RS-232 and 2-way IR control functionality over the same Cat5e/6/7 cable. These combined HDMI and control signals can be transmitted up to lengths of 100 metres to a compatible PUV-1600 Series Receiver.

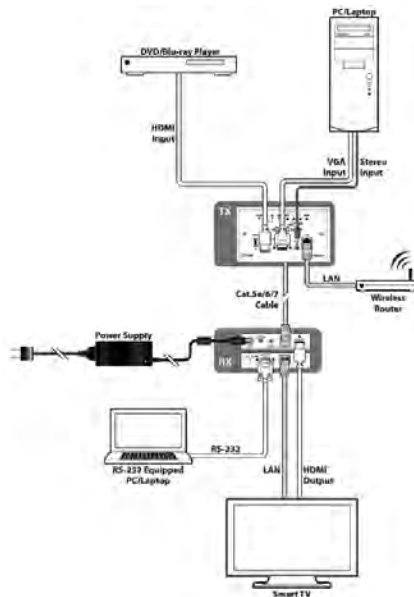
This unit also supports automatic input detection between the HDMI and the VGA inputs using hot plug detection, offering the user 'hands free' control of the device. The unit also features push button control on the front of the panel. The unit is powered by PoH supplied by a compatible PUV-1600 Series Receiver.

Features:

- HDMI 2.0 and DVI 1.0 compliant
- HDCP2.2 compliant
- 1 x HDMI Input
- 1 x VGA Input with 3.5mm Mini-Jack analogue Stereo audio embedding
- Supports HDMI input resolutions up to 4K@60Hz (4:4:4 8-Bit)
- Supports VGA resolutions up to WUXGA (RGB)
- Accepts HDMI timings up to 4K@50/60Hz (4:4:4) which can be scaled for transmission over HDBaseT
- PoH (Power-over-HDBaseT) support
- Auto Switching
- Standard UK double gang backbox size
- Front panel push button control

Specifications:

Model	PUV-1650S-TXWP
Inputs	1x HDMI (1x HDMI Uncompressed AV & Data) 1x 15pin Dsub (1x VGA RGBHV) 1x 3.5mm Stereo mini-jack (1x Analogue Stereo(L/R)) 1x RJ45 (1x LAN Servng)
Outputs	1x RJ45 (1x HDBaseT HDMI & Propriety Data)
Power	12v/3A, PoH
Dimensions	87(W) x 41(H) x 147(D)mm



PUV-1602TXWP

HDMI/VGA HDBaseT Wallplate Transmitter



HDBaseT5Play HDMI VGA 4K UHD HDCP2.2

The **PUV-1602TXWP** Wallplate Transmitter is a HDMI/VGA switch which allows uncompressed HDMI and VGA signals to be transmitted over a single Cat5e/6/7 cable. This solution has the added features of analogue audio embedding, RS-232 and 2-way IR control functionality over the same Cat5e/6/7 cable. These combined HDMI and control signals can be transmitted up to lengths of 100 metres to a compatible PUV-1600 Series Receiver.

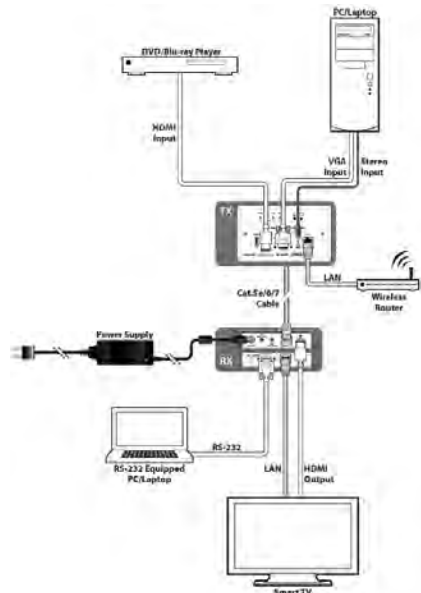
This unit also supports automatic input detection between the HDMI and the VGA inputs using hot plug detection. Despite the 10.2Gbps bandwidth limitation of HDBaseT this clever transmitter will automatically convert signals of higher bandwidths ensuring any HDMI 4K signal can be passed through the HDBaseT system. The unit also features push button control on the front of the panel. The unit is powered by PoH supplied by a compatible PUV-1600 Series Receiver.

Features:

- HDMI 2.0 and DVI 1.0 compatible
- HDCP2.2 compliant
- 1x HDMI Input
- 1x VGA Input with 3.5mm mini-jack analogue audio input
- Automatic conversion of 4K@50/60Hz HDMI sources to 4K@30Hz (4:4:4 8-Bit) for transmission over HDBaseT
- Supports VGA input resolutions up to WUXGA (RGB)
- PoH (Power-over-HDBaseT) support
- Auto switching
- Standard UK double gang backbox size
- Front panel push button control

Specifications:

Model	PUV-1602TXWP
Inputs	1x HDMI (1x HDMI Uncompressed AV & Data) 1x 15pin Dsub (1x VGA RGBHV) 1x 3.5mm Stereo mini-jack (1x Analogue Stereo(L/R)) 1x RJ45 (1x LAN Servicing)
Outputs	1x RJ45 (1x HDBaseT HDMI & Proprietary Data)
Power	12v/3A, PoH
Dimensions	87(W) x 41(H) x 147(D)mm



PUV-1550STX

HDBaseT Transmitter & 4K Scaler

100m



HDBaseT 5Play HDMI 4K UHD 18Gbps HDCP2.2

The **PUV-1550STX** HDBaseT Transmitter/Scaler enables transmission of video resolutions up to 4K UHD, along with HD audio, 2-Way IR, RS-232, PoH (Power-over-HDBaseT) and LAN signals up to 100 metres. As well as a HDMI input, this unit features a local HDMI output supporting video signals up to 4K@60Hz (4:4:4, 8-bit) and 4K@24Hz HDR.

Full 4K UHD content for transmission over the HDBaseT output signal can be converted to 4K@60Hz (4:2:0, 8-bit) or 1080p@60Hz, in order to fit within HDBaseT bandwidth limitations (10.2mbps). 1080p signals can also be upscaled to 4K UHD and transmitted to the receiver.

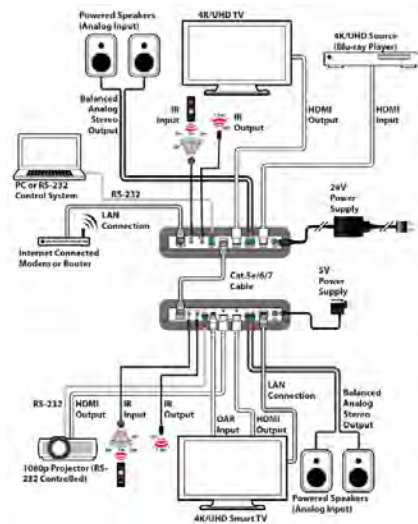
Control of remote devices is possible via bi-directional RS-232, IR ports as well as a LAN connection.

Features:

- HDBaseT 5Play convergence: High-Definition video and audio, 100BaseT Ethernet, PoH (Power-over-HDBaseT) and control (Bi-directional IR/RS-232 pass-through)
- 4K@60Hz (YUV 4:2:0) signals can be transmitted up to 100 metres via Cat.6a/7 cable and up to 70 metres via Cat.5e/6 cable
- HDCP2.2, HDMI 2.0 and DVI compatible
- Upscales 1080p signals to 4K UHD over HDBaseT output or downscales 4K signal to 1080p (same framerate is maintained)
- Supports automatic 4K@60Hz RGB/YUV 4:4:4 to YUV 4:2:0 conversion for HDBaseT output
- Support signal bypass on HDMI output
- Supports data rates up to 600MHz/18Gbps and Deep Colour up to 48-bit
- Supports 4K resolutions including: 3840x2160@24/25/30Hz, 4096x2160@24/25/30Hz, 3840x2160@50/60Hz (4:4:4) and 4096x2160@50/60Hz (4:4:4)
- Supports pass-through of HD audio formats: LPCM 2/5.1/7.1Ch, Dolby Digital 2/5.1Ch, Dolby Digital Plus, Dolby TrueHD, Dolby Atmos and DTS-HD Master Audio
- Supports OAR (Optical Audio Return) and DAC (Digital to Analog Conversion) audio conversion
- Internal test pattern generation at selected resolutions for on-site display testing
- Integrated EDID management

Specifications:

Model	PUV-1550STX
Inputs	1x HDMI (1x HDMI Uncompressed AV & Data) 1x RJ45 (1x LAN Servicing) 1x 3.5mm Stereo mini-jack (1x IR Receiver) 1x Phoenix (3 pin) (1x RS-232)
Outputs	1x RJ45 (1x HDBaseT HDMI & Proprietary Data) 1x HDMI (1x HDMI Uncompressed AV & Data) 1x 3.5mm Stereo mini-jack (1x IR Emitter) 1x Phoenix (5 pin) (1x Analogue Audio Analogue Stereo (Balanced or Unbalanced))
Power	24v/2.7A, PoH
Dimensions	117(W) x 25(H) x 231(D)mm



PUV-1550SRX

HDBaseT Receiver & 4K Dual HDMI Scaler



HDBaseT 5Play HDMI 4K UHD 18Gbps HDCP2.2

The **PUV-1550SRX** Receiver supports video resolutions up to 4K UHD along with HD audio, 2-Way IR, RS-232, PoH (Power-over-HDBaseT), LAN and Optical Audio Return (OAR) over a single Cat5e/6/7 cable up to 100 metres. While the HDBaseT input is limited to a maximum of 4K@60Hz (4:2:0), this unit can automatically convert or scale the input to display 4K@60Hz (4:4:4) at the receiving end. Conversely the user can downscale 4K UHD content to 1080p for simple integration of older displays.

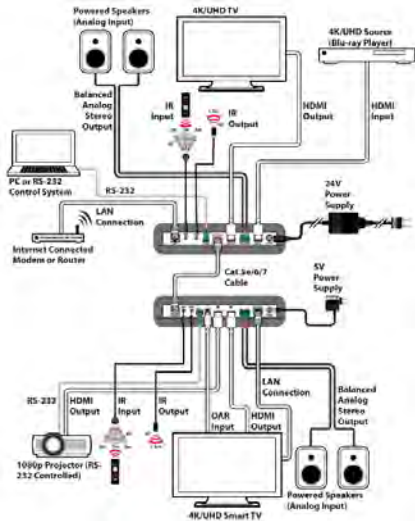
In addition to the full 5Play convergence, digital OAR (Optical Audio Return) provides users the ability to transmit Optical Audio (48kHz) to the HDBaseT TX. The RX also features an analogue audio output providing users with total audio flexibility.

Features:

- HDBaseT 5Play convergence: High-Definition video and audio, 100BaseT Ethernet, PoH (Power-over-HDBaseT) and control (Bi-directional IR/RS-232 pass-through)
- 4K@60Hz (YUV 4:2:0) signals can be transmitted up to 100 metres via Cat.6a/7 cable and up to 70 metres via Cat.5e/6 cable
- HDCP2.2, HDMI 2.0 and DVI compatible
- Bypasses signal on both HDMI outputs or output B can upscale 1080p signals to 4K and output A can downscale a 4K signal to 1080p (same framerate is maintained)
- Supports automatic 4K@60Hz YUV 4:2:0 to RGB/YUV 4:4:4 conversion for HDMI outputs
- Support signal bypass on HDMI output
- Supports data rates up to 18Gbps (6G) and Deep Colour up to 48-bit
- Supports 4K resolutions including: 3840x2160@24/25/30Hz, 4096x2160@24/25/30Hz, 3840x2160@50/60Hz (4:4:4) and 4096x2160@50/60Hz (4:4:4)
- Supports pass-through of HD audio formats
- Supports OAR (Optical Audio Return) and DAC (Digital to Analog Conversion) audio balance conversion
- Support optical sampling rates up to 48kHz
- Integrated EDID management

Specifications:

Model	PUV-1550SRX
Inputs	1x RJ45 (1x HDBaseT HDMI & Proprietary Data) 1x 3.5mm Stereo mini-jack (1x IR Receiver) 1x Phoenix (3 pin) (1x RS-232) 1x Toslink (1x OAR - Optical Audio Return) 2 Channel LPCM
Outputs	2x HDMI (2x HDMI Uncompressed AV & Data) 1x 3.5mm Stereo mini-jack (1x IR Emitter) 1x Phoenix (5 pin) (1x Analogue Audio Analog Stereo (Balanced or Unbalanced)) 1x RJ45 (1x LAN Servng)
Power	5v/2.6A, PoH
Dimensions	117(W) x 25(H) x 231(D)mm



PUV-1540S-RX

HDBaseT Receiver, 4K Scaler & Audio De-embedding



HDBaseT 5Play HDMI 4K UHD HDCP2.2

The **PUV-1540S-RX** is designed to scale and convert HDBaseT video and audio outputting via a local HDMI output. The HDBaseT input supports resolutions up to 4K@60Hz (4:2:0, 8-bit). The scaled HDMI output supports resolutions from 640×480@60Hz up to 4K@60Hz and provides the ability to adjust the image with a number of fine tuning options including: contrast, brightness, hue, saturation, sharpness, noise reduction and RGB levels.

Furthermore, this unit supports passing 7.1 channel LPCM digital audio as well as advanced Bitstream and HD Bitstream audio formats. Analogue stereo audio breakout is also available (LPCM 2.0 sources only). Shortcut keys are provided to quickly change the output resolution to 1080p or XGA.

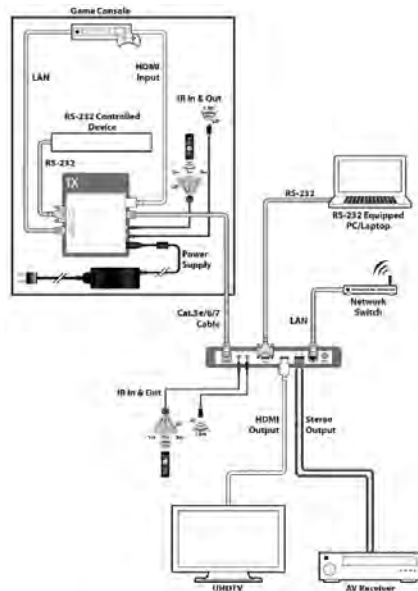
Additionally, the unit can be powered locally or via 48v PoH (Power-over-HDBaseT) from a compatible HDBaseT Transmitter (PUV-1500 Series), which allows for greater flexibility in installations.

Features:

- HDMI 2.0 and DVI 1.0 compatible
- HDCP 1.1 and HDCP2.2 compliant
- 1 x HDBaseT input
- 1 x HDMI output
- 1x Analogue Stereo Audio output
- HDBaseT input supports resolutions up to 4K@60Hz (4:2:0, 8-bit)
- Scaled HDMI output supports resolutions from 640×480@60Hz up to 4K@60Hz
- HDBaseT feature support: HD video and audio, 100BaseT Ethernet, 48v PoH and control
- Simultaneous transmission of uncompressed video, audio and data over a single Cat.5e/6/7 cable up to 100 metres/328ft at 1080p and 70 metres/230ft at 4K
- Supports pass-through of LPCM 7.1, Bitstream and HD Bitstream audio formats
- Analog stereo audio extraction support via 5-pin terminal block
- Unit may be powered locally or via 48v PoH from a compatible HDBaseT Transmitter (PUV-1500 Series)

Specifications:

Model	PUV-1540S-RX
Inputs	1x RJ45 (1x HDBaseT HDMI & Propriety Data) 1x 3.5mm Stereo mini-jack (1x IR Receiver) 1x 9pin Dsub (1x RS-232 Data) 1x RJ45 (1x LAN Servng) 1x USB Type A (1x Service Port Propriety Data)
Outputs	1x HDMI (1x HDMI Uncompressed AV & Data) 1x Phoenix (5 pin) (1x Analogue Stereo (Balanced or Unbalanced)) 1x 3.5mm Stereo mini-jack (1x IR Emitter)
Power	5v/3.2A, PoH
Dimensions	158(W) x 25(H) x 231(D)mm



PUV-1530TX | RX

HDBaseT Slimline Transmitter (TX) | Receiver (RX)



HDBaseT 5Play | HDMI | 4K UHD | HDCP2.2

The **PU-1530TX Transmitter** | **PU-1530RX Receiver** enable transmission of video resolutions up to 4K UHD, along with HD audio, 2-Way IR, RS-232, PoH (Power-over-HDBaseT), OAR (Optical Audio Return) and LAN signals up to 100 metres.

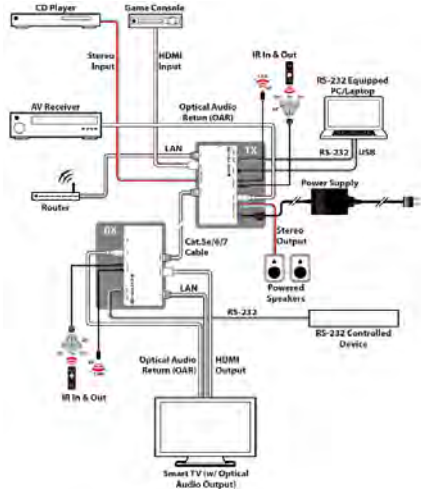
This solution provides advanced signal management ensuring reliable results in the most demanding installation environments. All audio, video, control and power are transmitted simultaneously over a single Cat6a/7 cable up to 100 metres.

Features:

- HDCP2.2 compliant
- HDBaseT 5Play convergence: High-Definition video and audio, 100BaseT Ethernet, PoH (Power-over-HDBaseT) and control (Bi-Directional IR and RS-232 pass through)
- Supported resolutions VGA-WUXGA, 480i-1080p, 4K UHD @ 24/25/30Hz (RGB 4:4:4 & YUV 4:2:2), 4K UHD @ 60Hz (YUV 4:2:0), 4K2K @ 24/25/30Hz (RGB 4:4:4 & YUV 4:2:2) and 4K2K @ 60Hz (YUV 4:2:0) dependent upon the output display's EDID settings
- 4K2K and 4K UHD signals can be transmitted up to 70 metres via Cat5e/6 and 100 metres via Cat6a/7
- Supports pass-through of HD audio formats: LPCM 2/5.1/7.1Ch, Dolby Digital 2/5.1Ch, Dolby Digital Plus, Dolby TrueHD, Dolby Atmos and DTS-HD Master Audio
- Optical Audio Return (OAR)

Specifications:

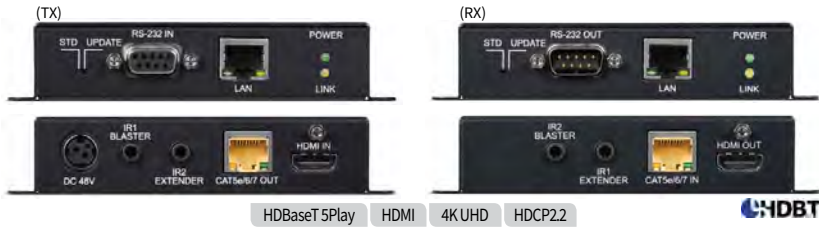
Model	PUV-1530TX	PUV-1530RX
Device	Transmitter	Receiver
Inputs	<ul style="list-style-type: none"> 1x HDMI (1x HDMI Uncompressed AV & Data) 1x Phoenix (3 pin) (1x Analogue Stereo (L/R) Audio Input) 1x 3.5mm Stereo mini-jack (1x IR Receiver) 1x Phoenix (3 pin) (1x RS-232) 1x RJ45 (1x LAN Servng) 1x USB Mini B (1x Service Port Propriety Data) 	<ul style="list-style-type: none"> 1x RJ45 (1x HDBaseT - HDMI & Propriety Data) 1x Toslink (1x Optical pathway - 2 Channel LPCM / DTS / Dolby Digital) 1x 3.5mm Stereo mini-jack (1x IR Receiver) 1x USB Type A (1x Service Port Propriety Data)
Outputs	<ul style="list-style-type: none"> 1x RJ45 (1x HDBaseT HDMI & Propriety Data) 1x Toslink (1x Optical DTS / Dolby Digital / 2 Channel LPCM) 1x Phoenix (3 pin) (1x Analogue Stereo (L/R) Audio Output) 1x 3.5mm Stereo mini-jack (1x IR Emitter) 	<ul style="list-style-type: none"> 1x HDMI (1x HDMI - Uncompressed AV & Data) 1x 3.5mm Stereo mini-jack (1x IR Emitter) 1x RJ45 (1x LAN Servng) 1x Phoenix (3 pin) (1x RS-232)
Power	48v/0.83A	PoH
Dimensions	80(W) x 20(H) x 165(D)mm	



PUV-1510TX | RX

HDBaseT Transmitter (TX) | Receiver (RX)

100m



The **PUV-1510TX Transmitter** | **PUV-1510RX Receiver** enable transmission of video resolutions up to 4K UHD, along with HD audio, 2-Way IR, RS-232, PoH (Power-over-HDBaseT) and LAN signals up to 100 metres. This solution provides advanced signal management ensuring reliable results in the most demanding installation environments.

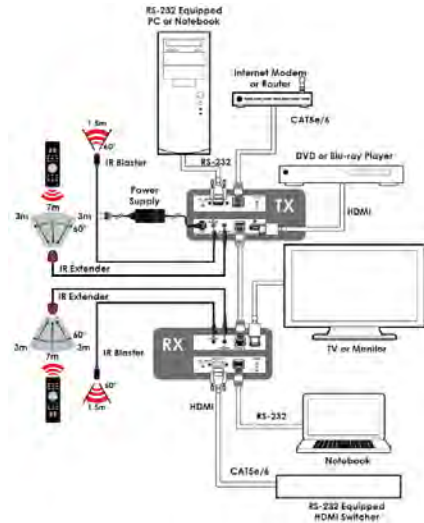
All audio, video, control and power are transmitted simultaneously over a single Cat6a/7 cable up to 100 metres.

Features:

- HDCP2.2 compliant
- Supports uncompressed video/audio up to 10.2Gbps
- Supports HDCP repeating and CEC functions
- Supports resolutions VGA-WUXGA, 480i-1080p, 4K UHD @ 24/25/30Hz (RGB 4:4:4 & YUV 4:2:2), 4K UHD @ 60Hz (YUV 4:2:0), 4K2K @ 24/25/30Hz (RGB 4:4:4 & YUV 4:2:2) and 4K2K @ 60Hz (YUV 4:2:0) dependent upon the output display's EDID settings
- 4K2K and 4K UHD signals can be transmitted up to 70 metres via Cat5e/6 and 100 metres via Cat6a/7
- 1080p signals can be transmitted up to 100 metres via Cat5e/6/6a/7
- Audio support up to 7.1Ch and Dolby TrueHD, DTS-HD
- 5Play convergence: HDMI, LAN, PoH and Control (IR & RS232)

Specifications:

Model	PUV-1510TX	PUV-1510RX
Device	Transmitter	Receiver
Inputs	1x HDMI (1x HDMI Uncompressed AV & Data) 1x 9pin Dsub (1x RS-232 Data) 1x 3.5mm Stereo mini-jack (1x IR Receiver)	1x RJ45 (1x HDBaseT HDMI & Proprietary Data) 1x 3.5mm Stereo mini-jack (1x IR Receiver) 1x RJ45 (1x LAN Serving)
Outputs	1x RJ45 (1x HDBaseT output HDMI & Proprietary Data) 1x 3.5mm Stereo mini-jack (1x IR Emitter) 1x RJ45 (1x Ethernet (I/O) IP)	1x HDMI (1x HDMI Uncompressed AV & Data) 1x 9pin Dsub (1x RS-232 Data) 1x 3.5mm Stereo mini-jack (1x IR Emitter)
Power		48v/0.83A
Dimensions	116(W) x 27(H) x 106(D) mm	



PUV-1510TXWP

HDBaseT Wallplate Transmitter



The **PUV-1510TXWP** Transmitter enables transmission of video resolutions up to 4K UHD, along with HD audio, 2-Way IR, RS-232, PoH (Power-over-HDBaseT) and LAN signals up to 100 metres. This solution provides advanced signal management ensuring reliable results in the most demanding installation environments.

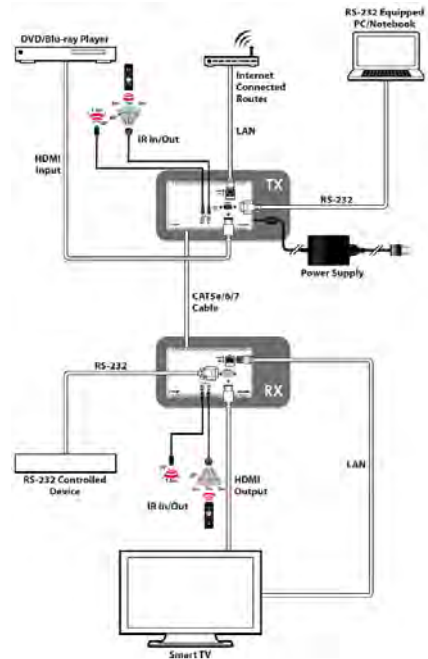
All audio, video, control and power are transmitted simultaneously over a single Cat6a/7 cable up to 100 metres. Wallplate version designed for a UK 2-gang back box.

Features:

- HDCP2.2 and 1x compliant
- Supports uncompressed video/audio up to 10.2Gbps
- Supports HDCP repeating and CEC bypass
- Supports resolutions VGA-WUXGA, 480i-1080p, 4K UHD @ 24/25/30Hz (RGB 4:4:4 & YUV 4:2:2), 4K UHD @ 60Hz (YUV 4:2:0), 4K2K @ 24/25/30Hz (RGB 4:4:4 & YUV 4:2:2) and 4K2K @ 60Hz (YUV 4:2:0) dependent upon the output display's EDID settings
- 4K2K and 4K UHD signals can be transmitted up to 70 metres via Cat5e/6 and 100 metres via Cat6a/7
- 1080p signals can be transmitted up to 100 metres via Cat5e/6/6a/7
- Supports all common digital audio formats
- 5Play convergence: HDMI, LAN, PoH and Control (IR & RS232)
- 2-gang UK back box Wallplate version

Specifications:

Model	PUV-1510TXWP
Inputs	1x HDMI (1x HDMI Uncompressed AV & Data) 1x 3.5mm Stereo mini-jack (1x IR Receiver) 1x 9pin Dsub (1x RS-232 Data)
Outputs	1x RJ45 (1x HDBaseT HDMI & Proprietary Data) 1x 3.5mm Stereo mini-jack (1x IR Emitter) 1x RJ45 (1x LAN Servng)
Power	48v/0.83A
Dimensions	90(W) x 42(H) x 156(D)mm



PUV-1510RXWP

HDBaseT Wallplate Receiver

100m



HDBaseT 5Play HDMI 4K UHD HDCP2.2

The **PUV-1510RXWP** Wallplate Receiver will accept transmitted video resolutions up to 4K UHD, along with HD audio, 2-Way IR, RS-232, PoH (Power-over-HDBaseT) and LAN signals up to 100 metres. This solution provides advanced signal management ensuring reliable results in the most demanding installation environments.

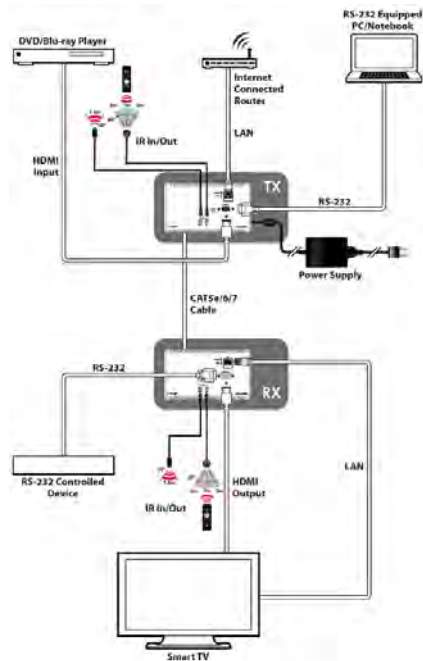
All audio, video, control and power are received simultaneously over a single Cat6a/7 cable up to 100 metres. Wallplate version designed for a UK 2-gang back box.

Features:

- HDCP2.2 and 1x compliant
- Supports uncompressed video/audio up to 10.2Gbps
- Supports HDCP repeating and CEC bypass
- Supports resolutions VGA-WUXGA, 480i-1080p, 4K UHD @ 24/25/30Hz (RGB 4:4:4 & YUV 4:2:2), 4K UHD @ 60Hz (YUV 4:2:0), 4K2K @ 24/25/30Hz (RGB 4:4:4 & YUV 4:2:2) and 4K2K @ 60Hz (YUV 4:2:0) dependent upon the output display's EDID settings
- 4K2K and 4K UHD signals can be transmitted up to 70 metres via Cat5e/6 and 100 metres via Cat6a/7
- 1080p signals can be transmitted up to 100 metres via Cat5e/6/6a/7
- Supports all common digital audio formats
- 5Play convergence: HDMI, LAN, PoH and Control (IR & RS232)
- 2-gang UK back box Wallplate version

Specifications:

Model	PUV-1510RXWP
Inputs	1x RJ45 (1x HDBaseT HDMI & Propriety Data) 1x 3.5mm Stereo mini-jack (1x IR Receiver) 1x RJ45 (1x LAN Servng)
Outputs	1x HDMI (1x HDMI Uncompressed AV & Data) 1x 3.5mm Stereo mini-jack (1x IR Emitter) 1x 9pin Dsub (1x RS-232 Data)
Power	PoH
Dimensions	90(W) x 42(H) x 156(D)mm



PUV-1230PL-TX | RX

HDBaseT Lite Slimline Transmitter (TX) | Receiver (RX)



HDBaseT 5Play | HDMI | 4K UHD | HDCP2.2

The **PU-1230PL-TX Transmitter** | **PU-1230PL-RX Receiver** enable transmission of video resolutions up to 4K UHD, along with HD audio, 2-Way IR, RS-232, PoH (Power-over-HDBaseT) and OAR (Optical Audio Return) up to 60 metres.

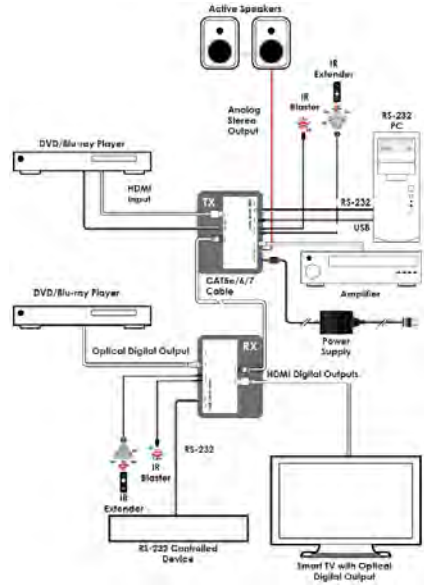
This solution provides advanced signal management ensuring reliable results in the most demanding installation environments. All audio, video, control and power are transmitted simultaneously over a single Cat6a/7 cable up to 60 metres.

Features:

- HDCP2.2 compliant
- High-Definition video and audio, PoH (Power-over-HDBaseT) and control (Bi-Directional IR and RS-232 pass through)
- Supported resolutions VGA-WUXGA, 480i-1080p, 4K UHD @ 24/25/30Hz (RGB 4:4:4 & YUV 4:2:2), 4K UHD @ 60Hz (YUV 4:2:0), 4K2K @ 24/25/30Hz (RGB 4:4:4 & YUV 4:2:2) and 4K2K @ 60Hz (YUV 4:2:0) dependent upon the output display's EDID settings
- 4K2K and 4K UHD signals can be transmitted up to 35 metres via Cat5e/6 and 60 metres via Cat6a/7
- Supports pass-through of HD audio formats: LPCM 2/5.1/7.1Ch, Dolby Digital 2/5.1Ch, Dolby Digital Plus, Dolby TrueHD, Dolby Atmos and DTS-HD Master Audio
- Optical Audio Return (OAR)
- Supports HDCP repeating and CEC functions

Specifications:

Model	PUV-1230PL-TX	PUV-1230PL-RX
Device	Transmitter	Receiver
Inputs	1x HDMI (1x HDMI Uncompressed AV & Data) 1x Phoenix (3 pin) (1x Analogue Stereo (L/R) Audio Input) 1x 3.5mm Stereo mini-jack (1x IR Receiver) 1x Phoenix (3 pin) (1x RS-232) 1x USB Mini B (1x Service Port Proprietary Data)	1x RJ45 (1x HDBaseT HDMI & Proprietary Data) 1x Toslink (1x Optical DTS / Dolby Digital / 2 Channel LPCM) 1x 3.5mm Stereo mini-jack (1x IR Receiver)
Outputs	1x RJ45 (1x HDBaseT HDMI & Proprietary Data) 1x Phoenix (3 pin) (1x Analogue Stereo (L/R) Audio Output) 1x Toslink (1x Optical DTS / Dolby Digital / 2 Channel LPCM) 1x 3.5mm Stereo mini-jack (1x IR Emitter)	1x HDMI (1x HDMI Uncompressed AV & Data) 1x 3.5mm Stereo mini-jack (1x IR Emitter) 1x Phoenix (3 pin) (1x RS-232)
Power	48v/0.83A	PoH
Dimensions	80(W) x 20(H) x 165(D) mm	



PUV-1210PL-TX | RX

HDBaseT Lite Transmitter (TX) | Receiver (RX)

60m



The **PU-1210PL-TX Transmitter** | **PU-1210PL-RX Receiver** enable transmission of video resolutions up to 4K UHD, along with HD audio, 2-Way IR, RS-232, PoH (Power-over-HDBaseT) up to 60 metres.

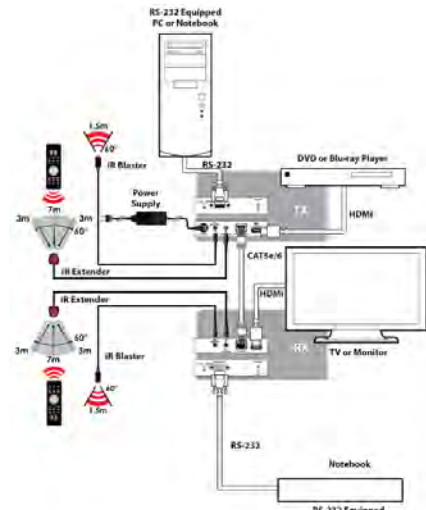
This solution provides advanced signal management ensuring reliable results in the most demanding installation environments. All audio, video, control and power are transmitted simultaneously over a single Cat6a/7 cable up to 60 metres.

Features:

- HDCP2.2 compliant
- High-Definition video and audio, PoH (Power-over-HDBaseT) and control (Bi-Directional IR and RS-232 pass through)
- Supported resolutions VGA-WUXGA, 480i-1080p, 4K UHD @ 24/25/30Hz (RGB 4:4:4 & YUV 4:2:2), 4K UHD @ 60Hz (YUV 4:2:0), 4K2K @ 24/25/30Hz (RGB 4:4:4 & YUV 4:2:2) and 4K2K @ 60Hz (YUV 4:2:0) dependent upon the output display's EDID settings
- 4K2K and 4K UHD signals can be transmitted up to 35 metres via Cat5e/6 and 60 metres via Cat6a/7
- Supports pass-through of HD audio formats: LPCM 2/5.1/7.1Ch, Dolby Digital 2/5.1Ch, Dolby Digital Plus, Dolby TrueHD, Dolby Atmos and DTS-HD Master Audio
- Supports HDCP repeating and CEC functions

Specifications:

Model	PUV-1210PL-TX	PUV-1210PL-RX
Device	Transmitter	Receiver
Inputs	1x HDMI (1x HDMI Uncompressed AV & Data) 1x 3.5mm Stereo mini-jack (1x IR Receiver) 1x 9pin Dsub (1x RS-232 Data)	1x RJ45 (1x HDBaseT HDMI & Proprietary Data) 1x 3.5mm Stereo mini-jack (1x IR Receiver)
Outputs	1x RJ45 (1x HDBaseT HDMI & Proprietary Data) 1x 3.5mm Stereo mini-jack (1x IR Emitter)	1x HDMI (1x HDMI Uncompressed AV & Data) 1x 3.5mm Stereo mini-jack (1x IR Emitter) 1x 9pin Dsub (1x RS-232 Data)
Power	48v/0.83A	PoH
Dimensions	116(W) x 27(H) x 106(D)mm	



PU-607BD-TX | RX

HDBaseT HDMI Transmitter (TX) | Receiver (RX)



HDBaseT 5Play | HDMI | 4K UHD | HDCP2.2

The **PU-607BD-TX Transmitter** | **PU-1210PL-RX Receiver** allow uncompressed HDMI signals and IP data to be transmitted over a single Cat5e/6/7 cable. This solution has the added features of RS-232 and 2-way IR control functionality over the same Cat5e/6/7 cable. These combined HDMI and control signals can be transmitted up to lengths of 100 metres.

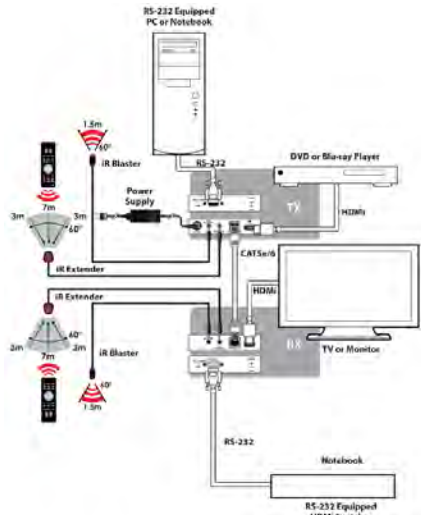
The Transmitter is designed to be used with the PU-607BD-RX and PU-607BDWP-RX Receivers only, which enables Bi-Directional Power-over-HDBaseT (PoH) functionality.

Features:

- HDCP2.2 compliant
- Supports all v1.4 HDMI resolutions including 4K.
- Supports uncompressed video/audio up to 10.2Gbps
- Supports resolutions VGA-WUXGA, 480i-1080p, 4K UHD @ 24/25/30Hz (RGB 4:4:4 & YUV 4:2:2), 4K UHD @ 60Hz (YUV 4:2:0), 4K2K @ 24/25/30Hz (RGB 4:4:4 & YUV 4:2:2) and 4K2K @ 60Hz (YUV 4:2:0) dependent upon the output display's EDID settings
- HDMI, HDCP and DVI compliant
- Supports HDCP repeating and CEC functions
- Uncompressed data transfer over single Cat cable (100 metres - Cat6/7; 80 metres - Cat5e)
- 4K2K and 4K UHD signals can be transmitted up to 70 metres via Cat5e/6 and 100 metres via Cat6a/7
- Uncompressed video 1080p, 60Hz, 48bits
- Audio support up to 7.1Ch and Dolby TrueHD, DTS-HD
- 5Play convergence: HDMI, LAN, Bi-Directional PoH and Control (IR & RS232)
- Supports Bi-Directional Power-over-HDBaseT (PoH)

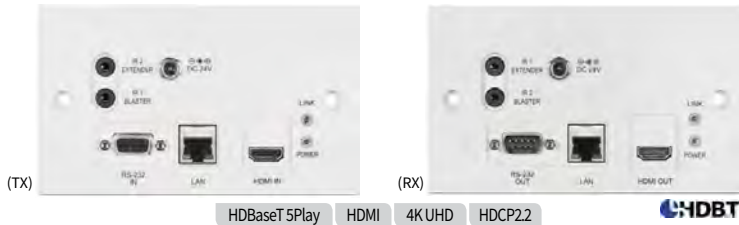
Specifications:

Model	PU-607BD-TX	PU-607BD-RX
Device	Transmitter	Receiver
Inputs	1x HDMI (1x HDMI Uncompressed AV & Data) 1x 9pin Dsub (1x RS-232 Data) 1x 3.5mm Stereo mini-jack (1x IR Receiver)	1x RJ45 (1x HDMI & Proprietary Data) 1x 3.5mm Stereo mini-jack (1x IR Receiver)
Outputs	1x RJ45 (1x HDMI & Proprietary Data) 1x 3.5mm Stereo mini-jack (1x IR Emitter) 1x RJ45 (1x Ethernet (I/O) IP)	1x HDMI (1x HDMI Uncompressed AV & Data) 1x 9pin Dsub (1x RS-232 Data) 1x 3.5mm Stereo mini-jack (1x IR Emitter) 1x RJ45 (1x Ethernet (I/O) IP)
Power	24v/1.25A	Bi-directional PoH
Dimensions	100(W) x 25(H) x 115(D)mm	



PU-607BDWP-TX | RX

HDBaseT HDMI Wallplate Transmitter (TX) | Receiver (RX)



The **PU-607BDWP-TX Wallplate Transmitter** | **PU-1210PL-RX Wallplate Receiver** allow uncompressed HDMI signals and IP data to be transmitted over a single Cat5e/6/7 cable. This solution has the added features of RS-232 and 2-way IR control functionality over the same Cat5e/6/7 cable.

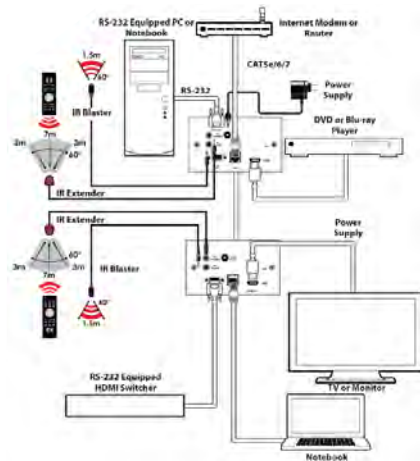
These combined HDMI and control signals can be transmitted up to lengths of 100 metres. The Transmitter is designed to be used with the PU-607BD-RX and PU-607BDWP-RX Receivers only, which enables Bi-Directional Power-over-HDBaseT (PoH) functionality.

Features:

- HDCP2.2 compliant
- Supports all v1.4 HDMI resolutions including 4K.
- Supports uncompressed video/audio up to 10.2Gbps
- Supports resolutions VGA-WUXGA, 480i-1080p, 4K UHD @ 24/25/30Hz (RGB 4:4:4 & YUV 4:2:2), 4K UHD @ 60Hz (YUV 4:2:0), 4K2K @ 24/25/30Hz (RGB 4:4:4 & YUV 4:2:2) and 4K2K @ 60Hz (YUV 4:2:0) dependent upon the output display's EDID settings
- HDMI, HDCP and DVI compliant
- Supports HDCP repeating and CEC functions
- Uncompressed data transfer over single Cat cable (100 metres - Cat6/7; 80 metres - Cat5e)
- 4K2K and 4K UHD signals can be transmitted up to 70 metres via Cat5e/6 and 100 metres via Cat6a/7
- Uncompressed video 1080p, 60Hz, 48bits
- Audio support up to 7.1Ch and Dolby TrueHD, DTS-HD
- 5Play convergence: HDMI, LAN, Bi-Directional PoH and Control (IR & RS232)
- Supports Bi-Directional Power-over-HDBaseT (PoH)

Specifications:

Model	PU-607BDWP-TX	PU-607BDWP-RX
Device	Transmitter	Receiver
Inputs	1x HDMI (1x HDMI Uncompressed AV & Data) 1x 9pin Dsub (1x RS-232 Data) 1x 3.5mm Stereo mini-jack (1x IR Receiver)	1x RJ45 (1x HDMI & Proprietary Data) 1x 3.5mm Stereo mini-jack (1x IR Receiver)
Outputs	1x RJ45 (1x HDMI & Proprietary Data) 1x 3.5mm Stereo mini-jack (1x IR Emitter) 1x RJ45 (1x Ethernet (I/O) IP)	1x HDMI (1x HDMI Uncompressed AV & Data) 1x 9pin Dsub (1x RS-232 Data) 1x 3.5mm Stereo mini-jack (1x IR Emitter) 1x RJ45 (1x Ethernet (I/O) IP)
Power	24v/1.25A	Bi-directional PoH
Dimensions	185(W) x 85(H) x 40(D)mm	



PU-507TX | RX

HDBaseT Transmitter (TX) | Receiver (RX)



HDBaseT 5Play | HDMI | 4K UHD | HDCP2.2

The **PU-507TX Transmitter** | **PU-507RX Receiver** allow uncompressed HDMI signals and IP data to be transmitted over a single Cat5e/6/7 cable.

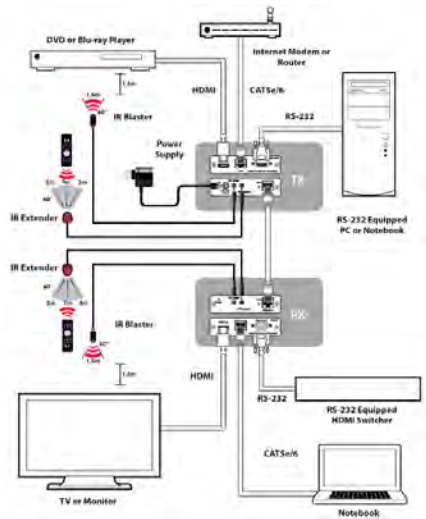
The PU-507TX/RX feature full 5Play convergence allowing the distribution of video, audio, LAN serving, Power-over-HDBaseT (PoH), RS-232 and 2-way IR control functionality over the same Cat5e/6/7 cable. These combined HDMI and control signals can be transmitted up to lengths of 100 metres.

Features:

- HDCP2.2 compliant
- Supports all v1.4 HDMI resolutions plus 4K
- Supports uncompressed video/audio up to 10.2Gbps
- Supports resolutions VGA-WUXGA, 480i-1080p, 4K UHD @ 24/25/30Hz (RGB 4:4:4 & YUV 4:2:2), 4K UHD @ 60Hz (YUV 4:2:0), 4K2K @ 24/25/30Hz (RGB 4:4:4 & YUV 4:2:2) and 4K2K @ 60Hz (YUV 4:2:0) dependent upon the output display's EDID settings
- HDMI, HDCP and DVI compliant
- Supports HDCP repeating and CEC functions
- 4K2K and 4K UHD signals can be transmitted up to 70 metres via Cat5e/6 and 100 metres via Cat6a/7
- 1080p signals can be transmitted up to 100 metres via Cat5e/6/6a/7
- Uncompressed video 1080p, 60Hz, 48bits
- Audio support up to 7.1Ch and Dolby TrueHD, DTS-HD
- 5Play convergence: HDMI, LAN, PoH and Control (IR & RS232)

Specifications:

Model	PU-507TX	SDV-FRX
Device	Transmitter	Receiver
Inputs	1x HDMI (1x HDMI Uncompressed AV & Data) 1x 9pin Dsub (1x RS-232 Data) 1x 3.5mm Stereo mini-jack (1x IR Receiver)	1x RJ45 (1x HDMI & Propriety Data) 1x 3.5mm Stereo mini-jack (1x IR Receiver)
Outputs	1x RJ45 (1x HDMI & Propriety Data) 1x 3.5mm Stereo mini-jack (1x IR Emitter) 1x RJ45 (1x Ethernet (I/O) IP)	1x HDMI (1x HDMI Uncompressed AV & Data) 1x 9pin Dsub (1x RS-232 Data) 1x 3.5mm Stereo mini-jack (1x IR Emitter) 1x RJ45 (1x Ethernet (I/O) IP)
Power	24v/1.25A	PoH
Dimensions	105(W) x 26(H) x 115(D) mm	



PU-507TX-HDVGA

Switchable HDMI/VGA HDBaseT Transmitter



HDBaseT 5Play HDMI VGA

The **PU-507TX-HDVGA** allows VGA and uncompressed HDMI signals to be transmitted over a single Cat5e/6/7 cable to lengths of up to 100 metres. This device features full 5Play convergence allowing the distribution of video, audio, LAN serving, Power-over-HDBaseT (PoH), RS-232 and 2-way IR control functionality over the same Cat5e/6/7 cable.

This transmitter allows the user to select and switch between a HDMI or VGA source, whilst the integrated scaler ensures maximum resolution support for the connected display.

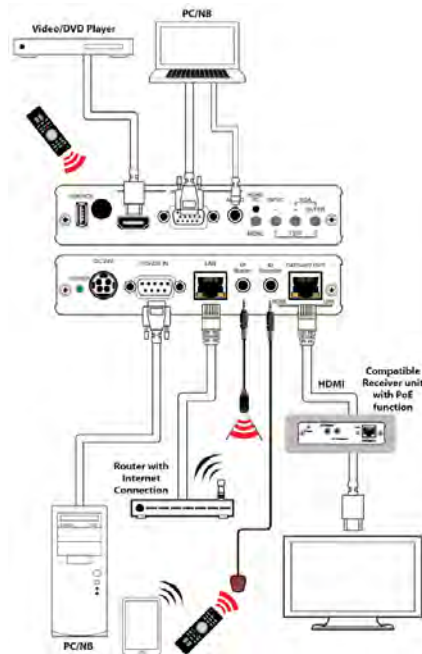
Additionally, the PU-507TX-HDVGA utilises an auto-scan feature which detects and switches to the last active input.

Features:

- Supports all v1.4 HDMI resolutions.
- Auto Scan function - scans the inputs for a live signal
- Supports uncompressed video/audio up to 10.2Gbps
- Common supported resolutions: HDTV: 480p, 576p, 720p, 1080i, 1080p, 1080p24; PC: VGA, SVGA, XGA, WXGA, SXGA, UXGA, WUXGA.
- HDMI, HDCP and DVI compliant
- Supports HDCP repeating and CEC functions
- Uncompressed data transfer over single Cat cable (100 metres - Cat6/7; 80 metres - Cat5e)
- Audio support up to 7.1Ch and Dolby TrueHD, DTS-HD
- 5Play convergence: HDMI, LAN, PoH and Control (IR & RS232)

Specifications:

Model	PU-507TX-HDVGA
Inputs	1x HDMI (1x HDMI Uncompressed AV & Data) 1x 15pin Dsub (1x PC RGBHV) 1x 3.5mm Stereo mini-jack (1x Analogue Stereo(L/R)) 1x RJ45 (1x LAN Serving) 1x 3.5mm Stereo mini-jack (1x IR Receiver) 1x USB Type A (1x Service Port Proprietary Data) 1x 9pin Dsub (1x RS-232 Data)
Outputs	1x RJ45 (1x HDBaseT HDMI & Proprietary Data) 1x 3.5mm Stereo mini-jack (1x IR Emitter)
Power	24v/2.7A
Dimensions	145(W) x 30(H) x 200(D)mm



PU-507WPRX

HDBaseT Wallplate Receiver



The **PU-507WPRX** Wallplate Receiver allows uncompressed HDMI signals and IP data to be transmitted over a single Cat5e/6/7 cable.

This device features full 5Play convergence allowing the distribution of video, audio, LAN serving, Power-over-HDBaseT (PoH), RS-232 and 2-way IR control functionality over the same Cat5e/6/7 cable. These combined HDMI and control signals can be transmitted up to lengths of 100 metres.

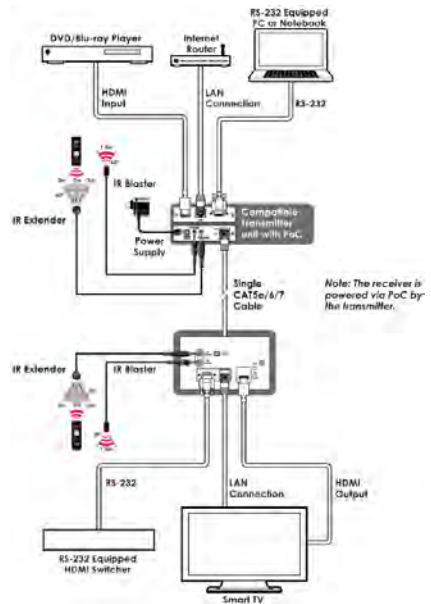
This Wallplate variant of the PU-507RX receiver enables seamless installation into a standard double-gang back box.

Features:

- HDCP2.2 compliant
- Supports all v1.4 HDMI resolutions plus 4K
- Supports uncompressed video/audio up to 10.2Gbps
- Supports resolutions VGA~WUXGA, 480i~1080p, 4K UHD @ 24/25/30Hz (RGB 4:4:4 & YUV 4:2:2), 4K UHD @ 60Hz (YUV 4:2:0), 4K2K @ 24/25/30Hz (RGB 4:4:4 & YUV 4:2:2) and 4K2K @ 60Hz (YUV 4:2:0) dependent upon the output display's EDID settings
- HDMI, HDCP and DVI compliant
- Supports HDCP repeating and CEC functions
- Uncompressed data transfer over single Cat cable (100 metres - Cat6/7; 80 metres - Cat5e)
- Uncompressed video 1080p, 60Hz, 48bits
- Audio support up to 7.1Ch and Dolby TrueHD, DTS-HD
- 5Play convergence: HDMI, LAN, PoH and Control (IR & RS232)
- 4K2K and 4K UHD signals can be transmitted up to 70 metres via Cat5e/6 and 100 metres via Cat6a/7
- Compatible with any 'PU-507' Transmitter

Specifications:

Model	PU-507WPRX
Inputs	1x RJ45 (1x HDMI & Proprietary Data) 1x 3.5mm Stereo mini-jack (1x IR Receiver)
Outputs	1x HDMI (1x HDMI Uncompressed AV & Data) 1x 9pin Dsub (1x RS-232 Data) 1x 3.5mm Stereo mini-jack (1x IR Emitter) 1x RJ45 (1x Ethernet (I/O) IP)
Dimensions	145(W) x 85(H) x 40(D)mm



PU-515PL-TX | RX

HDBaseT Lite Transmitter (TX) | Receiver (RX)

60m

(TX)



(RX)



HDBaseT

HDBaseT Lite | HDMI | 4K UHD | HDCP2.2

The **PU-515PL-TX Transmitter** | **PU-515PL-RX Receiver** allow uncompressed HDMI signals to be transmitted/received over a single Cat5e/6/7 cable.

This solution has the added features of RS-232, 2-way IR control and Power-over-HDBaseT (PoH) functionality over the same Cat5e/6/7 cable. These combined HDMI and control signals can be transmitted up to lengths of 60 metres.

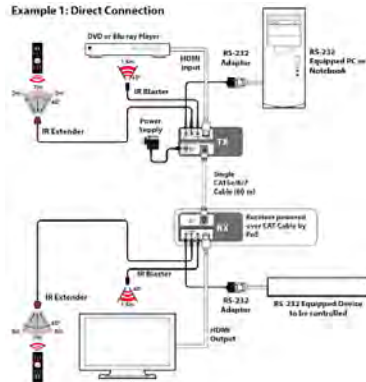
Features:

- HDCP2.2 compliant
- HDMI 1.4 with 3D, 4K2K support, HDCP and DVI compliant
- Supports HDMI 1.4 (including HDCP) over a single Cat5e/6/7 up to 60 metres
- 4K2K and 4K UHD signals can be transmitted up to 35 metres via Cat5e/6 and 40 metres via Cat6a/7
- Complies with HDBaseT Lite specifications
- Supports resolutions VGA-WUXGA, 480i-1080p, 4K UHD @ 24/25/30Hz (RGB 4:4:4 & YUV 4:2:2), 4K UHD @ 60Hz (YUV 4:2:0), 4K2K @ 24/25/30Hz (RGB 4:4:4 & YUV 4:2:2) and 4K2K @ 60Hz (YUV 4:2:0) dependent upon the output display's EDID settings
- HDMI input up to 15 metres with 8-bit deep colour or 10 metres with 12-bit deep colour
- Supports HDMI output up to 15 metres with 8/12-bit deep colour
- Supports two-way IR, RS-232 Control and Power-over-HDBaseT (PoH)
- Supports High Definition LPCM 7.1Ch, Dolby TrueHD, Dolby Digital Plus and DTS-HD Master Audio transmission

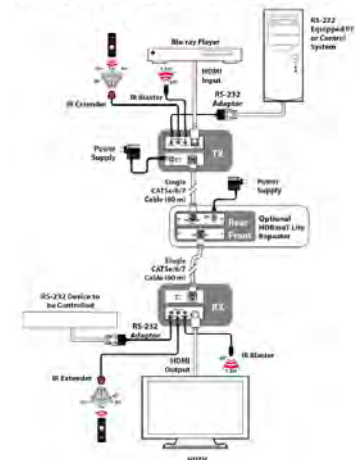
Specifications:

Model	PU-515PL-TX	PU-515PL-RX
Device	Transmitter	Receiver
Inputs	1x HDMI (1x HDMI Uncompressed AV & Data) 1x 3.5mm Stereo mini-jack (1x IR Receiver)	1x RJ45 (1x HDBaseT Lite HDMI & Proprietary Data) 1x 3.5mm Stereo mini-jack (1x IR Receiver)
Outputs	1x RJ45 (1x HDBaseT Lite HDMI & Proprietary Data) 1x 3.5mm Stereo mini-jack (1x IR Emitter)	1x HDMI (1x HDMI Uncompressed AV & Data) 1x 3.5mm Stereo mini-jack (1x IR Emitter) 1x 3.5mm Stereo mini-jack (1x RS-232)
Power		24v/1.25A
Dimensions		75(W) x 24(H) x 72(D)mm

Example 1: Direct Connection



Example 2: Using a Repeater to Extend the Operating Distance



PU-HBTE-ZE

HDBaseT Zone Extender



HDBaseT 5Play HDMI 4KUHD HDCP22

The **PU-HBTE-ZE** HDBaseT Zone Extender is designed to easily create additional zones for any HDBaseT distribution system whilst enabling the HDBaseT pass-through signal to be extended further over Cat5e/6/7 (up to 100 metres). This device supports the transmission of video (resolutions up to 1080p Full HD, plus 4K Ultra High Definition and 1920x1200@60Hz), multi-channel digital audio and control via IR, RS-232 or Web GUI/Telnet IP over a single Cat5e/6/7 cable.

The Zone Extender allows signals to be transmitted up to 100 metres from the transmitter device to the Zone Extender, where the signal can be routed to a local display via the HDMI output. The signal is also transmitted simultaneously via the HDBaseT output enabling it to be distributed up to 100 metres over Cat5e/6/7 from the zone.

The PU-HBTE-ZE Zone Extender utilises PoH (Power-over-HDBaseT) to provide power to the connected Receiver unit, thus no requirement for a PSU on the Receiver end. This device can be cascaded multiple times to create additional zones.

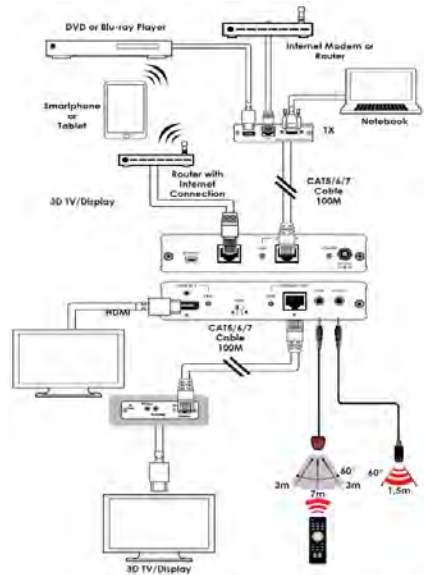
In addition, the LAN functionality provides the ability to add internet connectivity to every zone which is particularly useful when connecting Smart displays.

Features:

- Supports uncompressed video/audio up to 10.2Gbps
- Supports resolutions VGA-WUXGA, 480i-1080p, 4K UHD @ 24/25/30Hz (RGB 4:4:4 & YUV 4:2:2), 4K UHD @ 60Hz (YUV 4:2:0), 4K2K @ 24/25/30Hz (RGB 4:4:4 & YUV 4:2:2) and 4K2K @ 60Hz (YUV 4:2:0) dependent upon the output display's EDID settings
- HDMI, HDCP and DVI compliant
- High Definition Audio supported: Dolby TrueHD, Dolby Digital Plus and DTS-HD Master Audio plus LPCM (up to 192kHz)
- Supports RS-232, 2-Way IR and HDMI CEC control pass through
- Full 5Play Convergence - HDMI, LAN, PoH and Control (RS-232 & IR)
- Supports LAN serving to all connected zones

Specifications:

Model	PU-HBTE-ZE
Inputs	1x RJ45 (1x HDBaseT HDMI & Proprietary Data) 1x RJ45 (1x LAN Servng) 1x USB Mini B (1x Service Port Proprietary Data) 1x 3.5mm Stereo mini-jack (1x IR Receiver)
Outputs	1x RJ45 (1x HDBaseT HDMI & Proprietary Data) 1x HDMI (1x HDMI Uncompressed AV & Data) 1x 3.5mm Stereo mini-jack (1x IR Emitter)
Power	24v/1.25A
Dimensions	140(W) x 30(H) x 160(D)mm

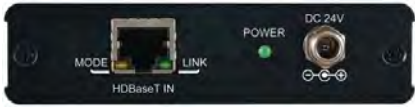




PU-HBT-EX

HDBaseT Signal Repeater

100m



HDBaseT 5Play | HDMI | 4K UHD

The **PU-HBT-EX** Repeater is designed to extend the signal transmission distances of CYP HDBaseT Extender sets and Matrix systems by allowing the user to repeat HDBaseT signals a further 100 metres over Cat5e/6/7 cable. This device features full 5Play functionality, including the highest quality 4K2K uncompressed HD video, uncompressed multi-channel audio, bi-directional control systems (IR and RS-232), Power-over-HDBaseT (PoH) and Ethernet (for LAN serving and IP Control).

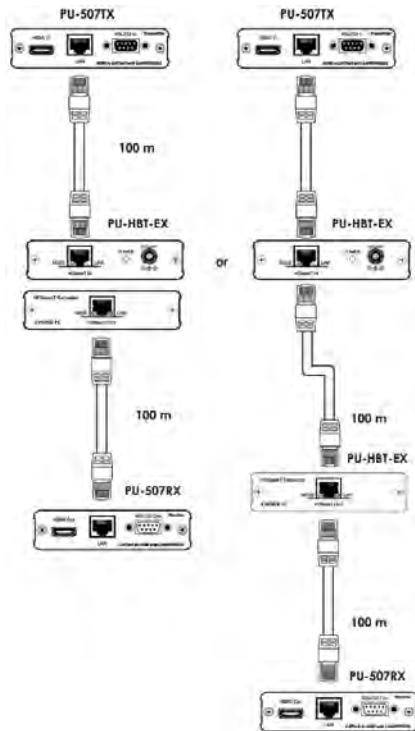
When combined with CYP HDBaseT distribution solutions, this Repeater gives any installer the ability to send audio, video, PoH and control signals reliably up to 200 metres. The PU-HBT-EX can also be cascaded twice to achieve a maximum of 300 metres transmission distance.

Features:

- Supports uncompressed video/audio up to 10.2Gbps
- Supports resolutions VGA-WUXGA, 480i-1080p, 4K UHD @ 24/25/30Hz (RGB 4:4:4 & YUV 4:2:2), 4K UHD @ 60Hz (YUV 4:2:0), 4K2K @ 24/25/30Hz (RGB 4:4:4 & YUV 4:2:2) and 4K2K @ 60Hz (YUV 4:2:0) dependent upon the output display's EDID settings
- HDMI, HDCP and DVI compliant
- High Definition Audio supported: Dolby TrueHD, Dolby Digital Plus and DTS-HD Master Audio plus LPCM (up to 192kHz)
- Supports RS-232, 2-Way IR and HDMI CEC control pass through
- Full 5Play Convergence - HDMI, LAN, PoH and Control (RS-232 & IR)
- Supports LAN serving to all connected zones

Specifications:

Model	PU-HBT-EX
Inputs	1x RJ45 (1x HDMI & Propriety Data)
Outputs	1x RJ45 (1x HDMI & Propriety Data)
Power	24v/1.25A
Dimensions	98(W) x 25(H) x 152(D)mm



RE-EDID-4K22

4K UHD HDMI Signal Repeater



HDMI 4K UHD HDCP2.2 18Gbps

The **RE-EDID-4K22** is designed to manage and manipulate the HDMI/DVI EDID information provided to a HDMI source device by a connected display. EDID contains critical information about the capabilities of the connected display, including audio and video format support, HDMI feature support, etc.

This product aims to simplify the technical complications that often arise when performing video system integration, home cinema installation, integrating commercial displays or audio/video equipment testing. It also supports EDID Emulation and Bypass modes.

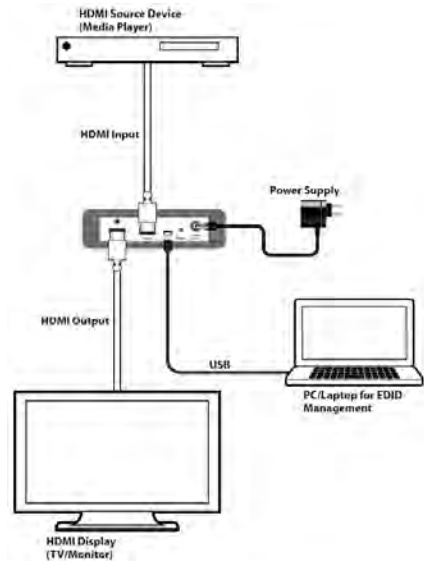
This device is perfect to overcome source and screen compatibility issues, particularly when integrating PCs into an AV system.

Features:

- HDMI input and output with 18Gbps (6G) 4K UHD support
- HDCP 1.4 and 2.2 compliant
- Supports HD resolutions up to 3840x2160@60Hz (4:4:4, 8-bit) and 4096x2160@60Hz (4:4:4, 8-bit)
- Supports 48-bit Deep Colour up to 1080p@60Hz
- Supports four different EDID modes: Read/Write/Emulate/ Bypass modes
- Read Mode: Reads the TV/display's EDID information
- Write Mode: Overwrites the TV/display's EDID information (TV/display needs to be able to support overwrite function)
- 8 unique sets of EDID settings may be stored via the learning procedure
- Emulator Mode: Allows the source device to read the selected EDID information from the unit's default or learnt EDID memory
- Bypass Mode: Allows the source device to read the EDID information from the TV/display directly
- Supports DVI sources when used with a DVI to HDMI adaptor (not supplied)
- Supports CEC functionality

Specifications:

Model	RE-EDID-4K22
Inputs	1x HDMI (1x HDMI Uncompressed AV & Data) 1x USB Mini B (1x Service and PC port Propriety Data)
Outputs	1x HDMI (1x HDMI Uncompressed AV & Data)
Power	5v/2.6A
Dimensions	83(W) x 25(H) x 128(D)mm





RE-101-4K22

4K UHD HDMI Signal Repeater



HDMI 4K UHD 18Gbps HDCP2.2

The RE-101-4K22 is designed to enhance and stabilize high-bandwidth HDMI signals, allowing the user to extend a UHD 4K, HDMI 2.2 signal an additional 5 metres whilst also providing the function of customised EDIDs. The built-in EDID management support allows the user to easily switch between three distinct EDIDs (Internal, External and User).

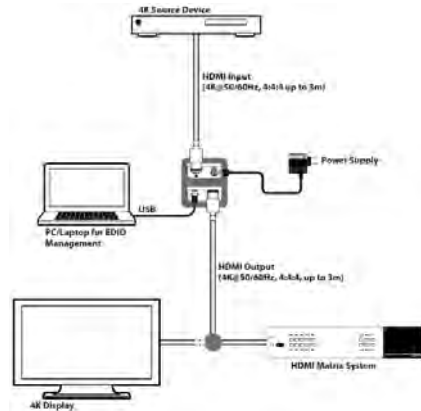
With the use of the optional PC software it is possible to create, edit, upload or download the customised User EDID. The unit's toggle switch and simple LED design allows the user to quickly switch between different configurations while viewing EDID status information.

Features:

- HDMI input and output with 18Gbps (600MHz) 4K UHD support
- DVI 1.0 compliant with the use of an HDMI-DVI adaptor
- HDCP 1.4 and 2.2 compliant
- Supports HD resolutions up to 3840x2160@60Hz (4:4:4, 8-bit) and 4096x2160@60Hz (4:4:4, 8-bit)
- Supports 48-bit Deep Colour up to 1080p@60Hz and 36-bit Deep Colour up to 4K@60Hz (YUV 4:2:0)
- Supports pass-through of LPCM 7.1, Bitstream and HD Bitstream audio formats
- EDID selectable between internal, external and user custom EDID
- PC based EDID management tool support via the Micro-USB port
- LED display providing an easy view of the current EDID and unit status

Specifications:

Model	RE-101-4K22
Inputs	1x HDMI (1x HDMI Uncompressed AV & Data)
Outputs	1x HDMI (1x HDMI Uncompressed AV & Data)
Power	5v/2.6A
Dimensions	51(W) x 22(H) x 98(D)mm



RE-101

HDMI to HDMI Signal Repeater



The **RE-101** Repeater equalises and recovers the full HDMI signal to provide an 'as new' signal allowing it to be repeated for extended distances and cascaded multiple times.

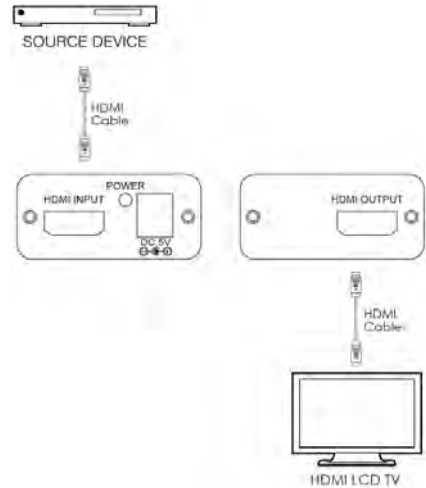
This device uses v1.3 HDMI specifications, supporting 'Deep Colour' together with High Definition Audio with a high bandwidth up to 225mHz.

Features:

- v1.3 HDMI, HDCP 1.1 and DVI 1.0 compliant
- HDMI to HDMI Repeater
- Supports high definition up to 1080p @ 50/60Hz and PC resolutions up to UXGA (1600x1200), output resolution follows input
- High Definition Audio supported: Dolby TrueHD, Dolby Digital Plus and DTS-HD Master Audio plus LPCM
- Equalises and recovers incoming TMDS data before re-transmitting so that the output is of optimal quality, regardless of incoming signal
- Supports CEC functions
- Supports Deep Colour (10 & 12 bit)
- Can be used with 15 metres cables both sides and can be cascaded
- Supports xvYCC

Specifications:

Model	RE-101
Inputs	1x HDMI (1x HDMI Uncompressed AV & Data)
Outputs	1x HDMI (1x HDMI Uncompressed AV & Data)
Power	5v/2.6A
Dimensions	50(W) x 25(H) x 55(D)mm



PU-IR01-KIT

Infrared over Cat5/6 Extender Set



The **PU-IR01-KIT** IR Extender (**PU-IR03**) and Repeater (**PU-IR12**) set is perfect for controlling IR-controlled source equipment over long distances. Up to five sources can be controlled using this extender set. Two sources can be controlled located locally to the repeater, whilst the remaining three sources can be controlled locally to the extender, which can be located up to 250 metres away via Cat5/6 cable.

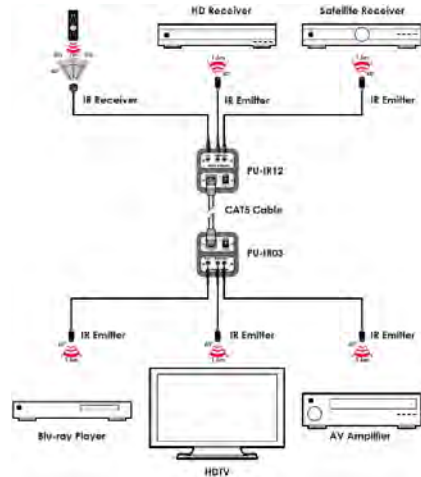
This system allows for the sources to be controlled by their own original remote controls, from extended distances. A 5-eye emitter accessory can be supplied for additional control of extra source equipment.

Features:

- Supports five outputs (two from the repeater, three from the extender)
- Control source equipment from a distance of up to 250 metres away, via Cat5/6 cable
- Transmits infrared signals only
- Allows the use of existing remote controls
- IR Receiver frequency is at 20-60kHz

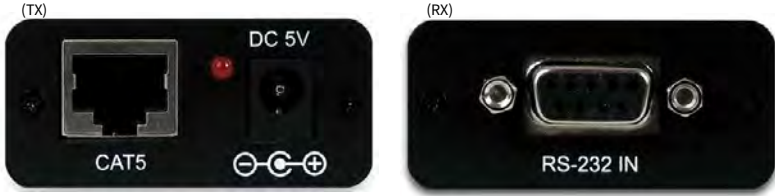
Specifications:

Model	PU-IR12	PU-IR03
Device	Repeater	Extender
Inputs	1x 3.5mm Stereo mini-jack (1x IR Receiver)	1x RJ45 (1x IR Property Data)
Outputs	2x 3.5mm Stereo mini-jack (2x IR Emitter) 1x RJ45 (1x IR Propriety Data)	3x 3.5mm Stereo mini-jack (3x IR Emitter)
Power		5v/1.2A
Dimensions	50(W) x 25(H) x 65(D)mm	



PU-232

RS-232 Control over Cat5/6 Extender Set



The **PU-232** Cat5/6 RS-232 Extender Set is a hardware-based solution providing control of any RS-232 protocol device. This transmitter and receiver set will extend the control of RS-232 for over 250 metres.

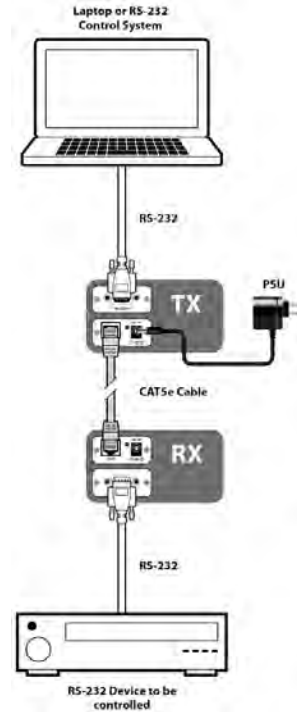
The RS-232 Extender also provides full duplex transmission and hardware handshake signals, with no need for any set-up or configuration.

Features:

- Extends any RS-232 compliant device up to 250 metres from the source to display
- Requires only one Cat5/6 cable
- Perfect for digital signage applications
- Baud Rate: 110-921600. Data bit: 8bit
- Simple installation and operation

Specifications:

Model	PU-232 Transmitter	PU-232 Receiver
Device	Transmitter	Receiver
Inputs	1x 9pin Dsub (1x RS-232 Data)	1x RJ45 (1x RS-232 Propriety Data)
Outputs	1x RJ45 (1x RS-232 Propriety Data)	1x 9pin Dsub (1x RS-232 Data)
Power	5v/1.2A	
Dimensions	50(W) x 25(H) x 70(D)mm	





PU-USB-KIT

USB2.0 over Cat5/6 Extender Set



The **PU-USB-KIT** is a USB over Cat5e/6 Transmitter and Receiver Set that has been developed to extend USB devices over long distances via Cat5e/6 cable infrastructure.

This kit allows any USB host to send data within a 100 metres range while offering up to 4 USB outputs, giving this product the ability to act like a USB hub.

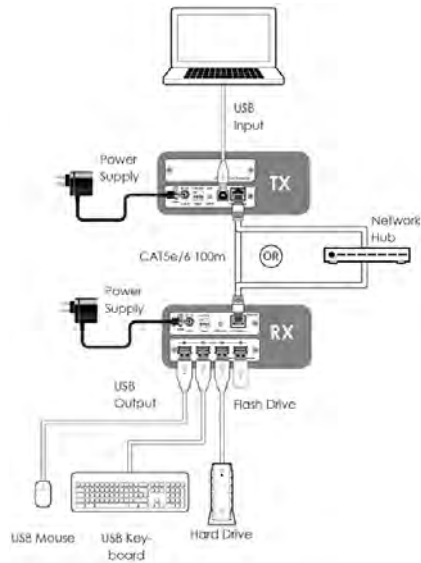
Features:

- Supports all major operating systems including Windows, MAC OS and Linux
- Supports USB 2.0 high-speed and USB 1.1 (full-speed, low-speed) devices
- True plug-and-play without the need to install drivers
- Display or control the host device
- Proven up to 100 metres Cat5 cable distance without lag
- Each USB port carries 500mA of power
- Total transmission frequency 1 GHz

Note: Whilst this product is compatible with USB2.0 and USB1.1 devices, it is not suitable for use with USB video/conference cameras due to the nature of the signals these devices transmit.

Specifications:

Model	PU-USB Transmitter	PU-USB Receiver
Device	Transmitter	Receiver
Inputs	1x USB Type B (1x USB & Proprietary Data)	1x RJ45 (1x USB & Proprietary Data)
Outputs	1x RJ45 (1x USB & Proprietary Data)	4x USB Type A (4x USB & Proprietary Data)
Power	5v/3A	
Dimensions	103(W) x 27(H) x 95(D) mm	





Design
Supply
Support



End-to-end project support from our AV experts

CIE's in-house team of AV experts ensures that from start to finish of your project, we can support you to deliver the best solution, the best technology and the best results for your clients.

Our team includes AV system designers, product consultants and technicians, working together with your dedicated account manager and customer services team member. Our AV experts provide a unique, free system design and specification service, working in partnership with you, the installer, to deliver the best solution for your customers.



www.cie-group.com

04. Switchers

Presentation | HDBaseT |
HDMI

When reliability is the ultimate consideration, it doesn't matter if the products at either end of the signal path are the best in the market; if the link between the source and display is anything less than perfect, it will have a detrimental effect on performance. At CYP, we have been developing a wide range of solutions for over 20 years, with reliability always the number one consideration.

Our range of switching and splitting products encompass solutions that are perfect for commercial applications such as conference rooms, custom install applications and retail environments alike.



Switchers

EL-5500-HBT

8 x 4 HDBaseT/HDMI/VGA Presentation Switch



HDBaseT HDMI VGA Composite Component

The **EL-5500-HBT** is an advanced rack-mountable HDBaseT, HDMI, VGA, Composite and Component Presentation Switcher. This device can scale and switch eight input sources to its two HDMI outputs and a single HDBaseT output, with their associated audio signals to the native resolutions supported by the connected display. This presentation switch also features a switchable digital bypass output allowing any HDMI or HDBaseT input to be directly bypassed via the HDMI bypass output.

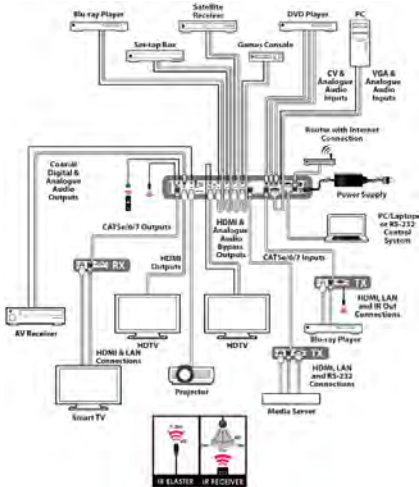
Control is via the IR remote, RS-232, IP or via manual selection buttons. Both digital and analogue stereo audio is supported via a built-in DAC (Digital-to-Analogue Converter) and ADC (Analogue-to-Digital Converter) providing flexible audio signal integration.

Features:

- HDMI, HDCP and DVI compliant
- Digital-to-Analogue and Analogue-to-Digital Audio conversion (DAC/ADC)
- Supported Resolutions: HDTV: 480i to 1080p PC: VGA to WUXGA
- Aspect Ratio Adjustment
- Video Noise Reduction
- Underscan / Overscan Selection
- Picture Adjustment Settings
- HDBaseT Outputs support PoH (Power-over-HDBaseT) through to compatible connected receiver
- Independent HDMI bypass output (switching digital inputs only)
- Supports HDBaseT LAN Serving function
- Supports IR/RS-232/IP and front panel button control

Specifications:

Model	EL-5500-HBT
Inputs	4x HDMI (4x HDMI Uncompressed AV & Data) 4x 3.5mm Stereo mini-jack (4x Analogue inputs for HDMI Stereo(L/R)) 2x RJ45 (2x HDBaseT HDMI & Propriety Data) 1x 15pin Dsub (1x PC RGBHV) 1x 3.5mm Stereo mini-jack 1x RCA (1x Composite) 2x RCA (Composite Stereo (L/R)) 1x RJ45 (1x LAN Serving) 1x 9pin Dsub (1x RS-232 Data) 1x 3.5mm Stereo mini-jack (1x IR Receiver) 1x USB Type A (1x Service Port 1 Propriety Data) 1x USB Mini B (1x Service Port 2 Propriety Data) 1x 3.5mm Stereo mini-jack (1x Service Port 3)
Outputs	2x HDMI (2x HDMI Uncompressed AV & Data) 1x RJ45 (1x HDBaseT HDMI & Propriety Data) 1x RCA (1x Coaxial 2 Channel LPCM) 1x 3.5mm Stereo mini-jack (1x Analogue Stereo(L/R)) 1x HDMI (1x HDMI Bypass Uncompressed AV & Data) 1x 3.5mm Stereo mini-jack (1x Analogue Bypass Stereo(L/R))
Power	24v/2.7A/PoH, Bi-directional PoH
Dimensions	440(W) x 50(H) x 440(D)mm



EL-5500

Advanced HDMI/VGA Presentation Switch



HDMI VGA Composite Component

The **EL-5500** is an advanced rack-mountable HDMI, VGA, Composite and Component Presentation Switcher. This device can scale and switch input sources to its two HDMI outputs, with their associated audio signals to the native resolutions supported by the connected display. Control is via the IR remote, RS-232, IP or via manual selection buttons.

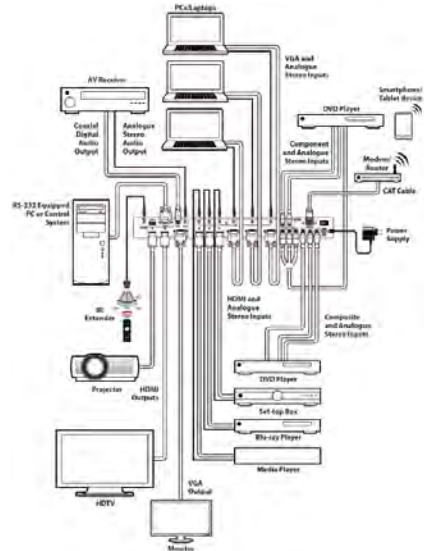
Both digital and analogue stereo audio is supported via a built-in DAC (Digital-to-Analogue Converter) and ADC (Analogue-to-Digital Converter). The EL-5500 is the perfect solution for any educational or commercial environment requiring integration of multiple sources and signal formats to two HDMI displays.

Features:

- v1.3 HDMI, HDCP 1.1 and DVI 1.0 compliant
- Digital-to-Analogue & Analogue-to-Digital Audio conversion (DAC/ADC)
- Supported Resolutions: HDTV: 480i to 1080p PC: VGA to WUXGA
- Aspect Ratio Adjustment
- Motion Adaptive De-interlace (3D)
- Video Noise Reduction
- Underscan / Overscan Selection
- Picture Adjustment Settings

Specifications:

Model	EL-5500
Inputs	3x HDMI (3x HDMI Uncompressed AV & Data) 3x 15pin Dsub (3x VGA RGBHV) 6x 3.5mm Stereo mini-jack (6x Analogue Stereo (L/R)) 3x RCA (1x YPbPr Component / YCbCr Component) 1x RCA (1x Composite) 4x RCA (2x Analogue Stereo (L/R)) 1x RJ45 (1x IP Control) 1x 9pin Dsub (1x RS-232 Data) 1x USB Type A (1x Service Port - Propriety Data)
Outputs	2x HDMI (2x HDMI Uncompressed AV & Data) 1x 15pin Dsub (1x VGA - RGBHV / YPbPr Component / YCbCr Component) 1x 3.5mm Stereo mini-jack (1x Analogue Stereo (L/R)) 1x RCA (1x Coax Digital - 2 Channel LPCM)
Power	5v/3A
Dimensions	433(W) x 44(H) x 180(D)mm



EL-5400-HBT

HDBaseT/HDMI/VGA/DisplayPort Presentation Switch



HDBaseT Lite HDMI VGA DisplayPort



The **EL-5400-HBT** HDMI/DisplayPort/VGA to HDMI Scaler with HDBaseT Lite output is designed to switch and scale up to 5 AV inputs to simultaneous HDMI and HDBaseT Lite outputs at resolutions up to 1080p/WUXGA. The HDBaseT Lite output enables the user to send the signals up to 60 metres over a single Cat5e/6/7 cable and supports PoH (Power-over-HDBaseT) to provide power to the connected HDBaseT Lite receiver (PU-515PL-RX or PU-515PL-WPX). Additionally, this device offers 3 analogue Line level audio inputs, a switchable Microphone input and a Line level output.

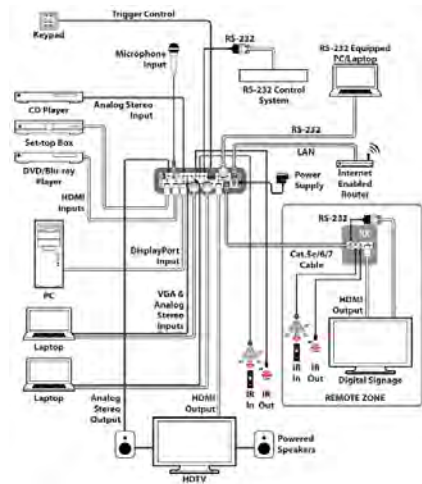
The microphone input features a 48v Phantom power mode for use with professional microphones. The system can be controlled and easily configured via WebGUI, IR remote control or RS-232. This device is an ideal solution for presentation facilities within a classroom or conference room.

Features:

- Supports HDMI 1.4 (including HDCP) over a single Cat5e/6/7 up to 60m
- Complies with HDBaseT Lite specifications
- Supports multiple inputs: 2xHDMI, 2xVGA and 1xDisplayPort, 3x Unbalanced Audio, 1xMIC In (48v phantom selection)
- Provides simultaneous HDMI and HDBaseT Lite outputs
- Supports HDTV resolutions up to 1080p (VGA to WUXGA)
- Audio DSP offers auto-mixing and auto-gain control for mixing or reducing background audio
- Supports internal EDID
- Supports pass-through of PCM 2Ch
- Supports control via WebGUI, IR remote and RS-232
- Supports IR In and IR Out to receive or transmit IR signal from compatible HDBaseT receiver with bi-directional RS-232 control

Specifications:

Model	EL-5400-HBT
Inputs	2x HDMI (2x HDMI Uncompressed AV & Data) 1x DisplayPort (1x DisplayPort Uncompressed AV) 2x 15pin Dsub (2x VGA RGBHV) 1x 6.35mm Stereo Jack (1x Microphone) 3x 3.5mm Stereo mini-jack (3x Analogue Stereo(L/R)) 1x 3.5mm Stereo mini-jack (1x IR Receiver) 1x 3.5mm Stereo mini-jack (1x RS-232) 1x 9pin Dsub (1x RS-232 Data) 1x RJ45 (1x IP Control) 1x Phoenix (6 pin) (1x Direct switching control port) 1x USB Type A (1x Service Port Proprietary Data)
Outputs	1x HDMI (1x HDMI Uncompressed AV & Data) 1x RJ45 (1x HDBaseT HDMI & Proprietary Data) 1x 3.5mm Stereo mini-jack (1x Analogue Stereo(L/R)) 1x 3.5mm Stereo mini-jack (1x IR Emitter)
Power	24v/3.75A, PoH
Dimensions	156(W) x 43(H) x 219(D)mm



EL-42PIP

4 x 2 HDMI Seamless Switch with Picture-in-Picture



HDMI 4K UHD HDCP2.2 PIP

The **EL-42PIP** is an advanced 4-way HDMI Switch with integrated Multi-view (Picture-in-Picture) technology. This plug-and-play solution offers advanced control and display options for the integration of four 1080p HDMI sources and output 4K (4x 1080P) to two compatible displays.

The output to each connected screen can be independently configured to display the desired sources either in full screen mode or picture-in-picture (PIP) mode. Additional flexibility is provided with on-board pre-configured PIP settings or create and save your favourite custom output configurations to suit any AV installation.

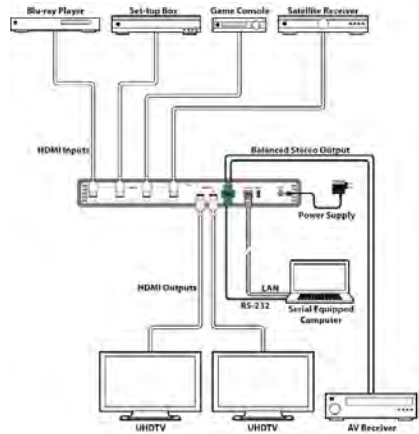
The EL-42PIP is the perfect cost-effective solution for integrating CCTV or a combination of HDMI sources to two independent displays within any commercial or residential AV installation.

Features:

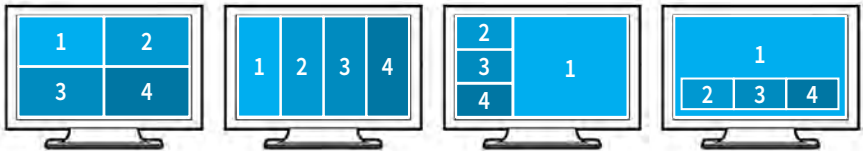
- HDMI Inputs and Outputs with 4K UHD support (4K @ 30Hz 4:4:4 8-bit + Quad View 4K @ 60Hz 4:4:4)
- HDCP2.2 compliant
- 4 HDMI inputs and two HDMI mirrored outputs
- Seamless switching of sources in full screen and multi window modes
- 8 pre-configured multi view PIP modes recalled by 'hot keys'
- 4 additional user defined presets
- Supports custom size, position and settings of inputted sources in PIP window mode
- RS-232, IR, Telnet, Web GUI and push button controls

Specifications:

Model	EL-42PIP
Inputs	4x HDMI (4x HDMI Uncompressed AV & Data) 1x Phoenix (3 pin) (1x RS-232) 1x RJ45 (1x IP Control) 1x USB Type A (1x Service Port Propriety Data)
Outputs	2x HDMI (2x HDMI Uncompressed AV & Data) 1x Phoenix (5 pin) (1x Analogue Stereo (Balanced or Unbalanced))
Power	12v/3A
Dimensions	438(W) x 49(H) x 269(D)mm



Multi-view screen layouts:



EL-7500V

70m

Multi-input HDMI/VGA HDBaseT Presentation Switch



HDBaseT HDMI VGA Composite Component

The **EL-7500V** is an advanced rack-mountable HDMI, VGA, Composite and Component Presentation Switcher. This device can scale and switch input sources to its HDMI, VGA and HDBaseT outputs, with their associated audio signals to the native resolutions supported by the connected display. Control is via the IR remote, RS-232, IP, WebGUI or via manual selection buttons with OSD (On-Screen Display). Both digital and analogue stereo audio is supported via a built-in DAC and ADC.

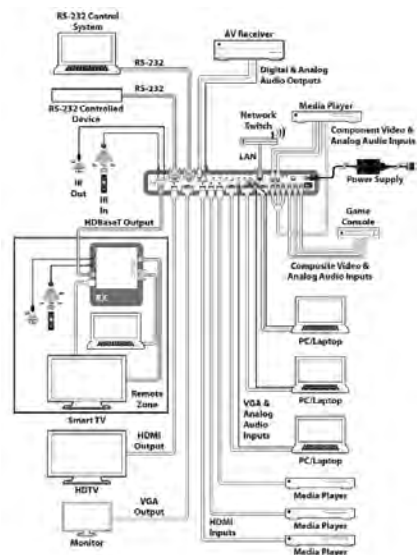
The HDBaseT output provides great versatility to extend your audio and video up to 70 metres over a single run of Cat.5e/6/7 cable. The HDBaseT output can provide 48v PoH power to compatible HDBaseT Receivers.

Features:

- HDMI 1.3, DVI 1.0 & HDCP1.1 compatible
- Multiple video and audio inputs: 3 HDMI, 3 VGA, 1 Component Video, 1 Composite Video and 8 Stereo audio
- Supports switching and scaling of multiple AV inputs for display over mirrored HDMI, HDBaseT and VGA outputs
- Supports input and output resolutions up to 1080p/WUXGA (RGB)
- Supports pass-through of LPCM 2.0 audio
- Frame rate conversion support
- Supports Analogue-to-Digital (ADC) and Digital-to-Analogue (DAC) audio conversion, embedding & de-embedding
- Quick output resolution switching via hot keys
- HDBaseT feature support: HD Video and Audio, Ethernet, 48v PoH and Control (bi-directional IR/RS-232 pass-through)
- HDBaseT output provides 48v PoH to compatible HDBaseT Receivers
- Supports EDID and HDCP management

Specifications:

Model	EL-7500V
Inputs	3x HDMI (3x HDMI Uncompressed AV & Data) 3x 15pin Dsub (3x VGA RGBHV) 3x RCA (1x Component) 1x RCA (1x Composite) 4x RCA (2x Analogue Stereo (L/R)) 6x 3.5mm Stereo mini-jack (6x Stereo (L/R)) 1x 3.5mm Stereo mini-jack (1x IR Receiver) 1x RJ45 (1x LAN Servicing) 1x USB Type A (1x Service Port Proprietary Data) 2x 9pin Dsub (2x RS-232 Data) 1x 15pin Dsub (1x VGA RGBHV)
Outputs	1x HDMI (1x HDMI Uncompressed AV & Data) 1x RJ45 (1x HDBaseT HDMI & Proprietary Data) 1x 3.5mm Stereo mini-jack (1x Stereo (L/R)) 1x RCA (1x Coaxial 2 Channel LPCM) 1x 15pin Dsub (1x VGA RGBHV) 1x 3.5mm Stereo mini-jack (1x IR Emitter)
Power	24v/6.25A
Dimensions	432(W) x 44(H) x 183(D)mm



EL-7400V

HDMI/VGA/DisplayPort Presentation Switcher



HDBaseT Lite HDMI VGA DisplayPort

The **EL-7400V** HDMI/DisplayPort/VGA to HDMI Scaler with HDBaseT Lite output is designed to switch and scale up to 5 AV inputs to simultaneous HDMI and HDBaseT Lite outputs at resolutions up to 1080p/WUXGA.

The HDBaseT Lite output enables the user to send the signals up to 60 metres over a single Cat5e/6/7 cable and supports PoH (Power-over-HDBaseT 48v) to provide power to the connected HDBaseT Lite receiver. Additionally, this device offers 3 analogue Line level audio inputs, Optical, Digital Coax and a Line level output.

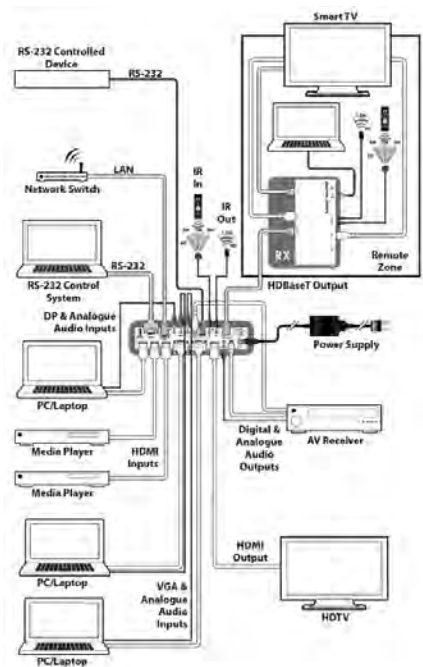
The system can be controlled and easily configured via WebGUI, IR remote control or RS-232. This device is an ideal solution for presentation facilities within a classroom, conference room or corporate meeting space.

Features:

- Supports HDMI 1.4 (including HDCP) over a single Cat5e/6/7 up to 60 metres
- Complies with HDBaseT Lite specifications
- Supports multiple inputs: 2x HDMI, 2x VGA and 1x DisplayPort, 3x Unbalanced Audio, 1x Optical, 1x Digital Coaxial
- Provides simultaneous HDMI and HDBaseT Lite outputs (Mirrored)
- Supports HDTV resolutions up to 1080p (VGA to WUXGA)
- Audio DSP offers auto-mixing and auto-gain control for mixing or reducing background audio
- Optical Audio return (OAR) Support
- Supports internal EDID management support
- Supports pass-through of LPCM 2.0 audio
- Supports control via WebGUI, IR remote and RS-232
- Supports IR In and IR Out to receive or transmit IR signal from compatible HDBaseT receiver with bi-directional RS-232 control

Specifications:

Model	EL-7400V
Inputs	2x HDMI (2x HDMI Uncompressed AV & Data) 1x DisplayPort (1x DisplayPort Uncompressed AV) 2x 15pin Dsub (2x VGA RGBHV) 3x 3.5mm Stereo mini-jack (3x Analogue Stereo(L/R)) 1x 3.5mm Stereo mini-jack (1x IR Receiver) 1x Phoenix (3 pin) (1x RS-232) 1x RJ45 (1x LAN Serving)
Outputs	1x HDMI (1x HDMI Uncompressed AV & Data) 1x RJ45 (1x HDBaseT HDMI & Proprietary Data) 1x Toslink (1x Optical 2 Channel LPCM) 1x RCA (1x Coaxial 2 Channel LPCM) 1x 3.5mm Stereo mini-jack (1x Analogue Stereo(L/R))
Power	24v/2.7A
Dimensions	133(W) x 49(H) x 215(D)mm





EL-7300

HDMI/VGA/DisplayPort Presentation Switch and Scaler



The **EL-7300** is a compact and versatile Presentation Switch featuring HDMI, VGA and DisplayPort inputs. Any one of these inputs can be switched and scaled to your preference to the mirrored HDMI outputs. Independent audio signals can be routed with the VGA inputs of the switch. Audio can also be de-embedded at the output stage via the analogue or digital audio (ADC Conversion) outputs.

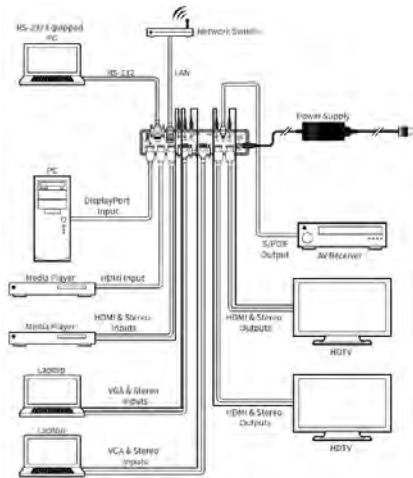
The user can control the switch via IR remote, RS-232, WebGUI, Telnet or the front panel controls with OSD (On Screen Display). The EL-7300 is the perfect solution for any educational or corporate environment where AV system flexibility is essential.

Features:

- v1.3 HDMI, HDCP 1.1 and DVI 1.0 compliant
- Integrate and switch HDMI, VGA and DisplayPort sources to dual HDMI outputs
- Audio de-embedding
- Digital-to-Analogue & Analogue-to-Digital Audio conversion (DAC/ADC)
- Detection of native screen resolution (EDID based)
- Resolutions supported: HDTV: 480i to 1080p plus 1080p 60fps
PC: VGA to WUXGA
- Audio support: Dolby Digital, Dolby DTS, Dolby Digital Plus, Dolby True HD, DTS-HD Master Audio, LPCM Multi-channel, LPCM Stereo, Analogue Stereo
- Telnet, IR Remote, RS-232, Push Button Control
- On Screen Display (OSD) and WebGUI
- Hotkey output resolution support
- Supports EDID and HDCP Management

Specifications:

Model	EL-7300
Inputs	2x HDMI (2x HDMI Uncompressed AV & Data) 2x 15pin Dsub (2x VGA RGBHV) 3x 3.5mm Stereo mini-jack (3x Analogue Stereo(L/R)) 1x 9pin Dsub (1x RS-232 Data) 1x RJ45 (1x IP Control) 1x USB Type A (1x Service Update Proprietary Data) 1x DisplayPort (1x DisplayPort Uncompressed Video)
Outputs	2x HDMI (2x HDMI Uncompressed AV & Data) 2x 3.5mm Stereo mini-jack (2x Analogue Stereo(L/R)) 1x RCA (1x Coaxial 2 Channel LPCM)
Power	24v/2.7A
Dimensions	215(W) x 42(H) x 153(D)mm



EL-41HP-4K22

4-way Advanced HDMI Switcher



HDMI 4K UHD HDCP2.2

The **EL-41HP-4K22** 4-way HDMI Switcher is designed to enable the user to switch between any of the four connected HDMI sources to send video and audio to a single HDMI display.

This switcher fully supports 4K resolutions and is HDMI2.0 and HDCP2.2 compliant, ensuring maximum compatibility with the latest 4K UHD sources and displays.

The EL-41HP-4K22 supports all the latest features of the HDMI 2.0 specification such as 4K UHD resolutions (4K2K@60Hz - YUV4:4:4), HDR (High Dynamic Range), 'Deep Colour' and High Definition audio. In addition, this switcher also features an auto-switching function which detects the last active input and switches to this input automatically for display.

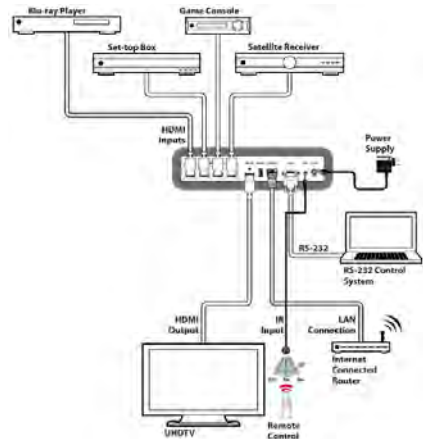
The management of source/sink configurations can be easily controlled via the on-board WebGUI LAN control, IR remote control and RS-232.

Features:

- HDMI2.0, HDCP2.2 and DVI compatible
- Supports 4 HDMI inputs and 1 HDMI output
- Supports HDTV resolutions up to 4K2K (3840x2160@24/25/30/50/60 & 4096x2160 @ 24/25/30/50/60Hz)
- Supports pass-through of HD audio formats of PCM 2/5.1/7.1Ch, Dolby Digital 2/5.1Ch, DTS 2/5.1Ch, Dolby Digital Plus, Dolby TrueHD, Dolby Atmos and DTS-HD Master Audio
- Supports control via Telnet, WebGUI, IR remote and RS-232
- Supports auto-switching which can send the signal of the latest active HDMI input source to output port

Specifications:

Model	EL-41HP-4K22
Inputs	4x HDMI (4x HDMI Uncompressed AV & Data) 1x 3.5mm Stereo mini-jack (1x IR Receiver) 1x 9pin Dsub (1x RS-232 Data) 1x RJ45 (1x Telnet & WebGUI/IP) 1x USB Type A (1x Service Port Proprietary Data)
Outputs	1x HDMI (1x HDMI Uncompressed AV & Data)
Power	5v/2.6A
Dimensions	219(W) x 43(H) x 156(D)mm





EL-41S-4K22

4-way HDMI Switcher



HDMI 4K UHD HDCP2.2

This 4-way HDMI Switcher is designed to enable the user to switch between any of the four connected HDMI sources to send video and audio to a single HDMI display. This switcher fully supports 4K resolutions and is HDMI2.0 and HDCP2.2 compliant, ensuring maximum compatibility with the latest 4K UHD sources and displays.

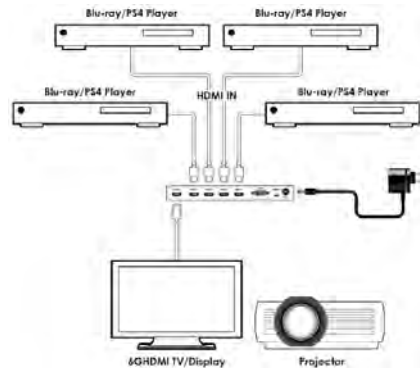
The **EL-41S-4K22** supports all the latest features of the HDMI 2.0 specification such as 4K UHD resolutions (4K2K@60Hz - YUV4:4:4), HDR (High Dynamic Range), 'Deep Colour' and High Definition audio. In addition, this switcher also features an auto-switching function which detects the last active input and switches to this input automatically for display. Control is via IR remote control and RS-232.

Features:

- HDMI2.0, HDCP2.2 and DVI compatible
- Supports 4 HDMI inputs and 1 HDMI output
- Supports HDTV resolutions up to 4K2K (3840x2160@24/25/30/50/60 & 4096x2160 @ 24/25/30/50/60Hz) including HDR
- Supports pass-through of HD audio formats of PCM 2/5.1/7.1Ch, Dolby Digital 2/5.1Ch, DTS 2/5.1Ch, Dolby Digital Plus, Dolby TrueHD, Dolby Atmos and DTS-HD Master Audio
- Supports control via IR remote and RS-232
- Supports auto-switching which can send the signal of the latest active HDMI input source to output port

Specifications:

Model	EL-41S-4K22
Inputs	4x HDMI (4x HDMI Uncompressed AV & Data) 1x 3.5mm Stereo mini-jack (1x IR Receiver) 1x 9pin Dsub (1x RS-232 Data) 1x RJ45 (1x IP Control) 1x USB Type A (1x Service Port Propriety Data)
Outputs	1x HDMI (1x HDMI Uncompressed AV & Data)
Power	5v/2.6A
Dimensions	117(W) x 25(H) x 231(D)mm



EL-41PIP

4-way HDMI Switcher with Picture-in-Picture



HDMI PIP

The **EL-41PIP** is an advanced 4-way HDMI Switcher with integrated multi-view (Picture-in-Picture) technology. This plug-and-play solution offers advanced control and display options for the integration of 4 sources onto a single display.

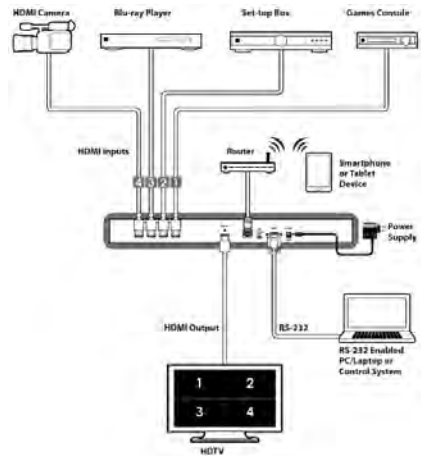
The EL-41PIP is the perfect cost-effective solution for integrating CCTV or a combination of sources into any single display within a commercial or residential AV installation.

Features:

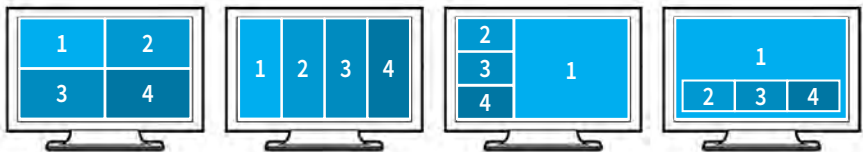
- Integration of up to 4 sources on a single display
- Multiple screen layout configurations
- Seamless switching channels and on-screen windows
- Fade in/out display functionality
- Ability to mirror and rotate images
- Zoom & Shrink HDMI Video and / or Overlay
- Resolution supported: HDTV: 480i to 1080p plus 1080p24fps; PC: VGA to UXGA

Specifications:

Model	EL-41PIP
Inputs	4x HDMI (4x HDMI Uncompressed AV & Data) 1x 9pin Dsub (1x RS-232 Data) 1x USB Mini B (1x Service Port - Proprietary Data)
Outputs	1x HDMI (1x HDMI Uncompressed AV & Data)
Power	12v/3A
Dimensions	254(W) x 50(H) x 435(D)mm



Multi-view screen layouts:





EL-41SY

4-way HDMI Switcher



HDMI

The **EL-41SY** Switcher allows the user to input four HDMI sources and switch between these sources to provide a single HDMI output to a display.

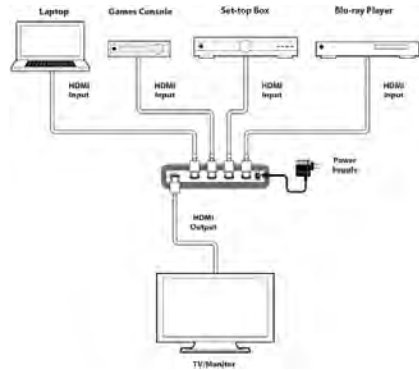
This switcher has an auto-detect function which will switch the output when a source which is powered 'On'. It can also be controlled via the supplied remote control or by using the input switching button on the front of the device.

Features:

- v1.3 HDMI, HDCP 1.1 and DVI 1.0 compliant
- HDMI 4-way Switcher
- Resolutions Supported: PC - VGA, SVGA, XGA, SXGA, UXGA & WUXGA (1920x1200), HDTV - 480i, 576i, 480p, 576p, 720p, 1080i, 1080p and 1080p24fps
- High Definition Audio supported - Dolby TrueHD, Dolby Digital Plus and DTS-HD Master Audio plus LPCM
- Auto signal enhancement feature can improve signal quality after long distance transmission
- IR remote control
- Supports 'Deep Colour' (8, 10 & 12 bit)
- LED indicators
- Supports xvYCC
- Auto-switch design

Specifications:

Model	EL-41SY
Inputs	4x HDMI (4x HDMI Uncompressed AV & Data)
Outputs	1x HDMI (1x HDMI Uncompressed AV & Data)
Power	5v/2.6A
Dimensions	201(W) x 25(H) x 104(D)mm



EL-42S

4-way HDMI Switcher with 2 Identical Outputs



HDMI

The **EL-42S** Switcher allows the user to input four HDMI sources and switch between these sources to display identical HD content on 2 displays.

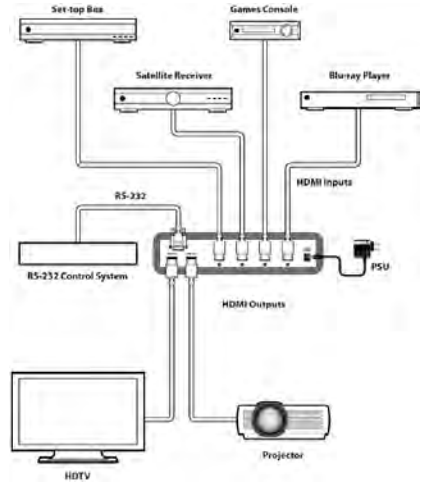
This switcher can be controlled via the supplied remote control, RS-232 or by using the input switching button on the front of the device.

Features:

- v1.3 HDMI, HDCP 1.1 and DVI 1.0 compliant
- HDMI 4-way Switcher with 2 Identical Outputs
- Resolutions supported: PC - VGA, SVGA, XGA, SXGA, UXGA & WUXGA (1920x1200). HDTV - 480i, 576i, 480p, 576p, 720p, 1080i, 1080p and 1080p24fps
- High Definition Audio supported - Dolby TrueHD, Dolby Digital Plus and DTS-HD Master Audio plus LPCM
- Auto signal enhancement feature can improve signal quality after long distance transmission
- RS232 & IR remote control
- Supports 'Deep Colour' (10 & 12 bit)
- Dual HDMI outputs for simultaneous connection to two HD displays
- Supports xvCC

Specifications:

Model	EL-42S
Inputs	4x HDMI (4x HDMI Uncompressed AV & Data)
Outputs	2x HDMI (2x HDMI Uncompressed AV & Data)
Power	5v/2.6A
Dimensions	240(W) x 50(H) x 104(D)mm





EL-31SY

3-way HDMI Switcher



HDMI

The **EL-31SY** Switcher allows the user to input three HDMI sources and switch between these sources to provide a single HDMI output to a display.

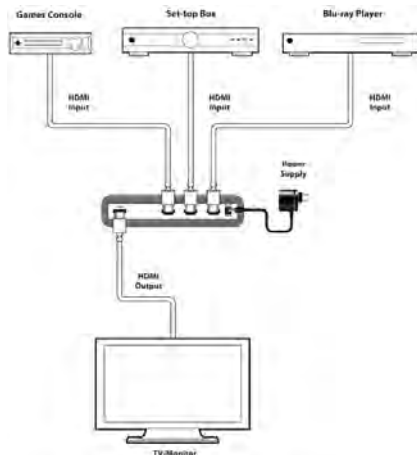
This switcher can be controlled via the supplied remote control or by using the input switching button on the front of the device.

Features:

- v1.3 HDMI, HDCP 1.1 and DVI 1.0 compliant
- HDMI 3-way Switcher
- Resolutions supported: PC - VGA, SVGA, XGA, SXGA, UXGA & WUXGA (1920x1200), HDTV - 480i, 576i, 480p, 576p, 720p, 1080i, 1080p and 1080p24fps
- High Definition Audio supported - Dolby TrueHD, Dolby Digital Plus and DTS-HD Master Audio plus LPCM
- Auto signal enhancement feature can improve signal quality after long distance transmission
- IR remote control
- Supports 'Deep Colour' (10, 12 & 16 bit)
- LED indicators

Specifications:

Model	EL-31SY
Inputs	3x HDMI (3x HDMI Uncompressed AV & Data)
Outputs	1x HDMI (1x HDMI Uncompressed AV & Data)
Power	5v/1A
Dimensions	200(W) x 32(H) x 105(D)mm



EL-21SY

2-way HDMI Switcher



HDMI

The **EL-21SY** Switcher accepts two HDMI inputs and allows the user to switch between two input sources to provide a single HDMI output for connection to the HDMI display.

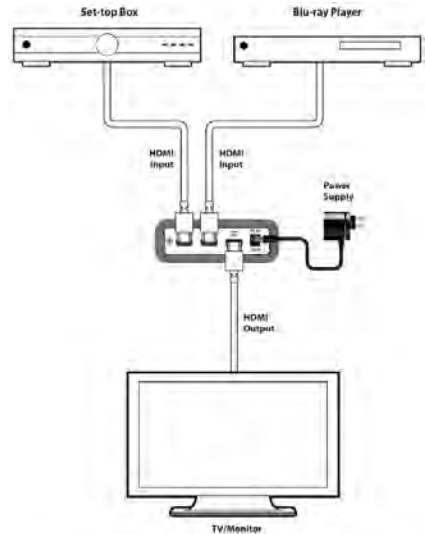
This switcher has an auto-detect function which will switch the unit when a source which is powered 'On'. Alternatively, the input can be selected manually using the input selection button on the device.

Features:

- v1.3 HDMI, HDCP 1.1 and DVI 1.0 compliant
- HDMI 2-way Switcher
- Resolutions supported: PC - VGA, SVGA, XGA, SXGA, UXGA & WUXGA (1920x1200), HDTV - 480i, 576i, 480p, 576p, 720p, 1080i, 1080p and 1080p24fps
- High Definition Audio supported - Dolby TrueHD, Dolby Digital Plus and DTS-HD Master Audio plus LPCM
- Auto signal enhancement feature can improve signal quality after long distance transmission
- Auto-switch design
- Supports 'Deep Colour' (10, 12 & 16 bit)
- LED indicators

Specifications:

Model	EL-21SY
Inputs	2x HDMI (2x HDMI Uncompressed AV & Data)
Outputs	1x HDMI (1x HDMI Uncompressed AV & Data)
Power	5v/1A
Dimensions	101(W) x 25(H) x 92(D)mm





EL-21PIP

2-way HDMI Switcher with Picture-in-Picture



HDMI PiP

The **EL-21PIP** is an advanced 2-way HDMI Switcher with integrated Multi-view (Picture-in-Picture) technology. This plug-and-play solution offers advanced control and display options for the integration of 2 sources onto a single display.

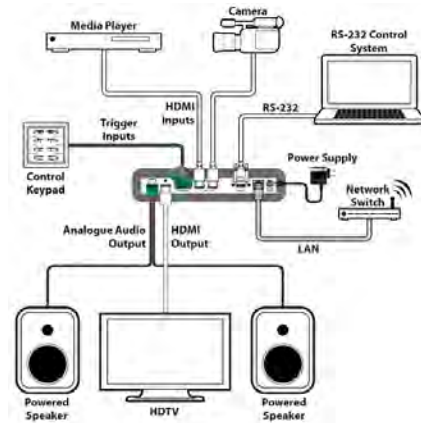
The EL-21PIP is the perfect cost-effective solution for integrating a combination of sources into any single display within commercial or residential AV installations.

Features:

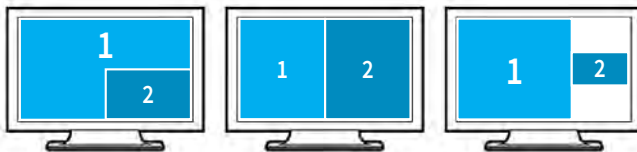
- 2-way multiview window configuration
- Free positioning mode
- Bitmap logo upload and display
- Input supports HD resolutions up to 4K@30Hz (4:4:4, 8-bit)
- Output supports HD resolutions up to 1080p @ 60Hz
- OSD, Web GUI, Telnet, RS-232 and IR remote control
- Direct Trigger Input (Compatible with CR-TG1)
- De-embedded audio output
- RAX-600 compatible

Specifications:

Model	EL-21PIP
Inputs	2x HDMI (2x HDMI Uncompressed AV & Data) 1x Phoenix (10 pin) (1x Trigger In (8)) 1x 3.5mm Stereo mini-jack (1x IR Receiver) 1x 9pin Dsub (1x RS-232 Data) 1x RJ45 (1x IP Control)
Outputs	1x HDMI (1x HDMI Uncompressed AV & Data) 1x Phoenix (5 pin) (1x Analogue Stereo (Balanced or Unbalanced))
Power	5v/2.6A
Dimensions	160(W) x 31(H) x 25(D)mm



Screen Configurations:





howtoAV.tv

FREE AV training videos from our multi-award winning channel:

www.HowToAV.tv

05. Splitters

HDBaseT | HDMI | DVI

When reliability is the ultimate consideration, it doesn't matter if the products at either end of the signal path are the best in the market; if the link between the source and display is anything less than perfect, it will have a detrimental effect on performance. At CYP, we have been developing a wide range of solutions for over 20 years, with reliability always the number one consideration.

Our range of switching and splitting products encompass solutions that are perfect for commercial applications such as conference rooms, custom install applications and retail environments alike.

POWER

INPUT

IN1



05 Splitters

PU-1H7HBTE

1 HDMI to 7 HDBaseT Distribution Amplifier

100m



HDBaseT 5Play HDMI 4K UHD

The **PU-1H7HBTE** enables a single HDMI source input to be distributed to 7 HDBaseT outputs. The HDBaseT outputs allow uncompressed distribution of HDMI, LAN, PoH and IR signals over a single Cat5e/6/7 cable up to lengths of 100 metres.

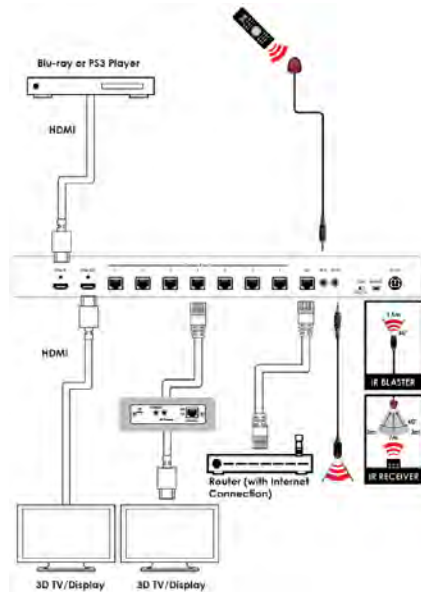
Perfect for both residential and commercial AV installations, the PU-1H7HBTE can distribute HDMI signals to 7 displays. The product also includes an additional HDMI output for increased flexibility and can also be cascaded up to 5 times to allow distribution to potentially 50 screens or more.

Features:

- Supports all v1.4 HDMI resolutions plus 4K
- HDMI, HDCP and DVI compliant
- Supports HDMI / LAN / PoH (Power-over-HDBaseT) / IR
- Supports resolutions VGA-WUXGA, 480i-1080p, 4K UHD @ 24/25/30Hz (RGB 4:4:4 & YUV 4:2:2), 4K UHD @ 60Hz (YUV 4:2:0), 4K2K @ 24/25/30Hz (RGB 4:4:4 & YUV 4:2:2) and 4K2K @ 60Hz (YUV 4:2:0) dependent upon the output display's EDID settings
- Supports uncompressed video/audio up to 10.2Gbps
- Additional HDMI bypass output provided for increased flexibility
- Supports HDCP repeating and CEC functions
- Supports 1080p distances up to 100 metres over Cat5e/6 cable
- Audio support up to 7.1Ch and Dolby TrueHD, DTS-HD
- Supports 4K2K and 4K UHD - Cat5e/6 = 70 metres and Cat6a/7 = 100 metres

Specifications:

Model	PU-1H7HBTE
Inputs	1x HDMI (1x HDMI Uncompressed AV & Data) 1x 3.5mm Stereo mini-jack (1x IR Receiver) 1x RJ45 (1x LAN Servng)
Outputs	1x HDMI (1x HDMI Uncompressed AV & Data) 7x RJ45 (7x HDMI & Proprietary Data) 1x 3.5mm Stereo mini-jack (1x IR Emitter)
Power	24v/6.25A DC
Dimensions	430(W) x 40(H) x 180(D)mm



PU-1H7HBTPL

1 HDMI to 7 HDBaseT Lite Distribution Amplifier



HDBaseT 5Play HDMI 4K UHD

The **PU-1H7HBTPL** enables a single HDMI source input to be distributed to 7 HDBaseT Lite with PoH outputs. The HDBaseT Lite outputs allow uncompressed distribution of HDMI and IR signals over a single Cat5e/6/7 cable up to lengths of 60 metres.

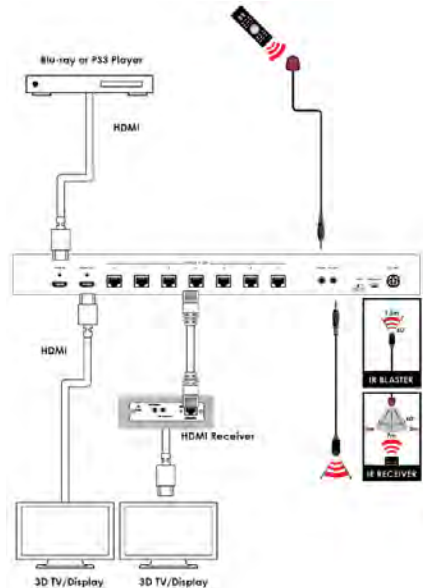
Perfect for both residential and commercial AV installations, the PU-1H7HBTPL can distribute HDMI signals to 7 displays. The product also includes an additional HDMI output for increased flexibility and can also be cascaded up to 5 times to allow distribution to even more screens.

Features:

- Supports all v1.4 HDMI resolutions plus 4K
- HDMI, HDCP and DVI compliant
- Supports uncompressed video/audio up to 10.2Gbps
- Supports resolutions VGA-WUXGA, 480i-1080p, 4K UHD @ 24/25/30Hz (RGB 4:4:4 & YUV 4:2:2), 4K UHD @ 60Hz (YUV 4:2:0), 4K2K @ 24/25/30Hz (RGB 4:4:4 & YUV 4:2:2) and 4K2K @ 60Hz (YUV 4:2:0) dependent upon the output display's EDID settings
- Supports HDCP repeating and CEC functions
- Supports 1080p distances up to 60 metres through Cat5e/6 cables
- Audio support up to 7.1Ch and Dolby TrueHD, DTS-HD
- Supports HDMI/IR
- Supports PoH (Power-over-HDBaseT) providing power for the receivers
- Supports 4K2K and 4K UHD - Cat5e/6 = 35 metres and Cat6a/7 = 40 metres

Specifications:

Model	PU-1H7HBTPL
Inputs	1x HDMI (1x HDMI Uncompressed AV & Data) 1x 3.5mm Stereo mini-jack (1x IR Receiver)
Outputs	1x HDMI (1x HDMI Uncompressed AV & Data) 7x RJ45 (7x HDBaseT Lite PoH HDMI & Proprietary Data) 1x 3.5mm Stereo mini-jack (1x IR Emitter)
Power	24v/6.25A DC
Dimensions	430(W) x 40(H) x 180(D)mm





PU-1H3HBTE

1 HDMI to 3 HDBaseT Distribution Amplifier



HDBaseT 5Play HDMI 4K UHD

The **PU-1H3HBTE** enables a single HDMI source input to be distributed to 3 HDBaseT outputs. The HDBaseT outputs allow uncompressed distribution of HDMI, LAN, PoH and IR over a single Cat5e/6/7 cable up to lengths of 100 metres.

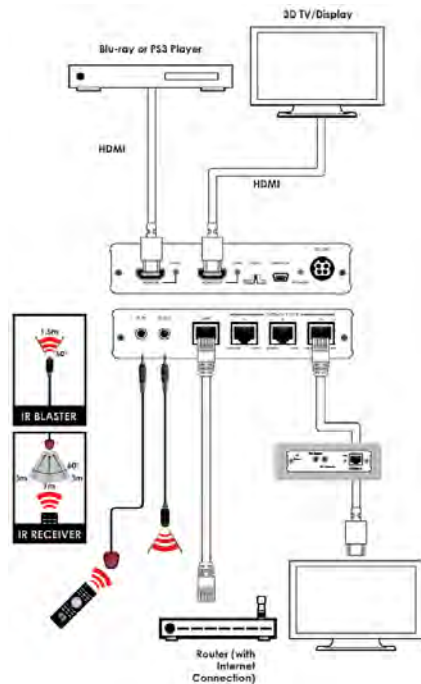
The product also includes an additional HDMI output for increased flexibility and can also be cascaded up to 5 times to allow distribution to potentially 50 screens or more.

Features:

- Supports all v1.4 HDMI resolutions including 4K
- HDMI, HDCP and DVI compliant
- Supports HDMI / LAN / PoH (Power-over-HDBaseT) / IR
- Supports resolutions VGA-WUXGA, 480i-1080p, 4K UHD @ 24/25/30Hz (RGB 4:4:4 & YUV 4:2:2), 4K UHD @ 60Hz (YUV 4:2:0), 4K2K @ 24/25/30Hz (RGB 4:4:4 & YUV 4:2:2) and 4K2K @ 60Hz (YUV 4:2:0) dependent upon the output display's EDID settings
- Supports uncompressed video/audio up to 10.2Gbps
- Supports HDCP repeating and CEC functions
- Additional HDMI bypass output provided to improve flexibility
- Supports 1080p distances up to 100 metres through Cat5e/6 cable
- Audio support up to 7.1Ch and Dolby TrueHD, DTS-HD
- Supports 4K2K and 4K UHD - Cat5e/6 = 70 metres and Cat6a/7 = 100 metres

Specifications:

Model	PU-1H3HBTE
Inputs	1x HDMI (1x HDMI Uncompressed AV & Data) 1x 3.5mm Stereo mini-jack (1x IR Receiver) 1x RJ45 (1x LAN Servicing)
Outputs	1x HDMI (1x HDMI Uncompressed AV & Data) 3x RJ45 (3x HDMI & Proprietary Data) 1x 3.5mm Stereo mini-jack (1x IR Emitter)
Power	24v/2.7A DC
Dimensions	145(W) x 30(H) x 200(D)mm



PU-1H3HBTPL

1 HDMI to 3 HDBaseT Lite Distribution Amplifier



HDBaseT Lite HDMI 4K UHD

The **PU-1H3HBTPL** enables a single HDMI source input to be distributed to 3 HDBaseT Lite outputs. The HDBaseT Lite outputs allow uncompressed distribution of HDMI and IR signals over a single Cat5e/6/7 cable up to lengths of 60 metres.

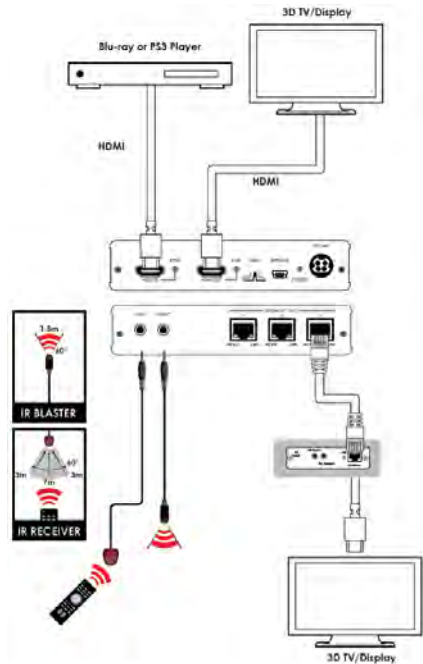
The product also includes an additional HDMI output for increased flexibility and can also be cascaded up to 5 times to allow distribution to more screens.

Features:

- Supports all v1.4 HDMI resolutions plus 4K
- HDMI, HDCP and DVI compliant
- Supports uncompressed video/audio up to 10.2Gbps
- Supports resolutions VGA-WUXGA, 480i-1080p, 4K UHD @ 24/25/30Hz (RGB 4:4:4 & YUV 4:2:2), 4K UHD @ 60Hz (YUV 4:2:0), 4K2K @ 24/25/30Hz (RGB 4:4:4 & YUV 4:2:2) and 4K2K @ 60Hz (YUV 4:2:0) dependent upon the output display's EDID settings
- Supports HDCP repeating and CEC functions
- Supports 1080p distances up to 60 metres through Cat5e/6 cable
- Audio support up to 7.1Ch and Dolby TrueHD, DTS-HD
- Supports HDMI and IR
- Supports PoH (Power-over-HDBaseT) providing power for the receivers
- Supports 4K2K and 4K UHD - Cat5e/6 = 35 metres and Cat6a/7 = 40 metres

Specifications:

Model	PU-1H3HBTPL
Inputs	1x HDMI (1x HDMI Uncompressed AV & Data) 1x 3.5mm Stereo mini-jack (1x IR Receiver)
Outputs	1x HDMI (1x HDMI Uncompressed AV & Data) 3x RJ45 (3x HDBaseT Lite PoH HDMI & Proprietary Data) 1x 3.5mm Stereo mini-jack (1x IR Emitter)
Power	24v/2.7A DC
Dimensions	145(W) x 30(H) x 200(D)mm





PU-1H2HBTE

1 HDMI to 2 HDBaseT Distribution Amplifier



HDBaseT 5Play HDMI 4K UHD

The **PU-1H2HBTE** Splitter accepts 1x HDMI input and distributes to 2 HDBaseT outputs, plus 1 HDMI bypass output. The HDBaseT outputs allow uncompressed HDMI, LAN, PoH, IR and RS-232 signals to be transmitted over a single Cat5e/6/7 cable up to 100 metres.

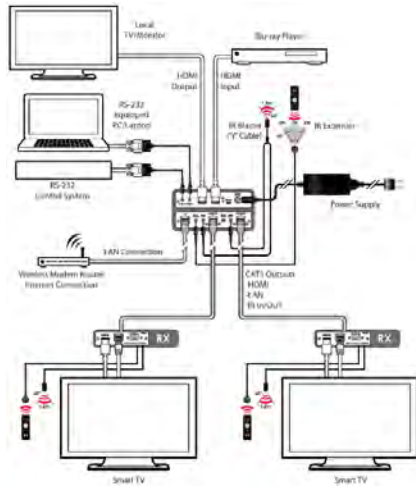
Installers can confidently distribute HDMI signals to 3 displays and if required, use the HDMI bypass output to cascade the HDMI signal up to 5 times with additional HDBaseT splitters.

Features:

- Supports all v1.4 HDMI resolutions plus 4K
- HDMI, HDCP and DVI compliant
- Supports uncompressed video/audio up to 10.2Gbps
- Supports resolutions VGA-WUXGA, 480i-1080p, 4K UHD @ 24/25/30Hz (RGB 4:4:4 & YUV 4:2:2), 4K UHD @ 60Hz (YUV 4:2:0), 4K2K @ 24/25/30Hz (RGB 4:4:4 & YUV 4:2:2) and 4K2K @ 60Hz (YUV 4:2:0) dependent upon the output display's EDID settings
- Supports HDCP repeating and CEC functions
- Supports 1080p distances up to 100 metres through Cat5e/6 cables
- Audio support up to 7.1Ch and Dolby TrueHD, DTS-HD
- Supports full 5Play Convergence: HDMI / LAN / PoH (Power-over-HDBaseT) / IR / RS-232
- Supports 4K2K and 4K UHD - Cat5e/6 = 70 metres and Cat6a/7 = 100 metres

Specifications:

Model	PU-1H2HBTE
Inputs	1x HDMI (1x HDMI Uncompressed AV & Data) 2x 3.5mm Stereo mini-jack (2x RS-232) 2x 3.5mm Stereo mini-jack (2x IR Receiver)
Outputs	1x HDMI (1x HDMI Uncompressed AV & Data) 2x RJ45 (2x HDMI & Proprietary Data) 2x 3.5mm Stereo mini-jack (2x IR Emitter) 1x RJ45 (1x Ethernet I/O) IP
Power	24V/2.7A DC
Dimensions	145(W) x 30(H) x 160(D)mm



QU-16E-4K

1 to 16 HDMI Distribution Amplifier



HDMI 4K UHD

The **QU-16E-4K** is a versatile 1 to 16 HDMI distribution amplifier. This product is designed to be used in a 19" rack and will distribute uncompressed HDMI signals up to 4K resolutions.

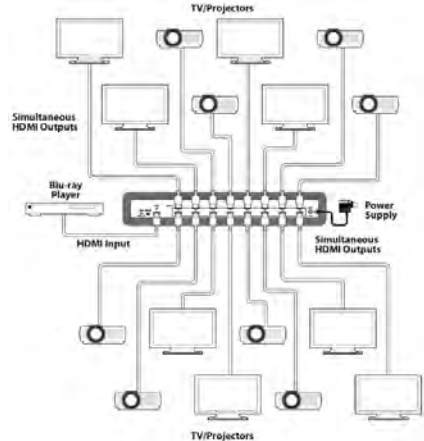
Each buffered output can run 1080p/8-bit up to 10 metres and can be cascaded up to two layers.

Features:

- HDMI 1.3, HDCP 1.4 and DVI 1.0 compliant
- Supports resolutions VGA-WUXGA, 480i-1080p, 4K UHD @ 24/25/30Hz (RGB 4:4:4 & YUV 4:2:2), 4K UHD @ 60Hz (YUV 4:2:0), 4K2K @ 24/25/30Hz (RGB 4:4:4 & YUV 4:2:2) and 4K2K @ 60Hz (YUV 4:2:0) dependent upon the output display's EDID settings
- High Definition Audio supported: LPCM 7.1Ch, Dolby TrueHD, Dolby Digital Plus and DTS-HD Master Audio transmission (32-192kHz Fs sample rate)
- HDMI cable distance tested with 1080p/8bits resolution the I/O source can up run up to 15/15 metres. If 1080p/12bits the I/O source can run up to 15/10 metres

Specifications:

Model	QU-16E-4K
Inputs	1x HDMI (1x HDMI Uncompressed AV & Data) 1x USB Type B (1x Service Port Propriety Data)
Outputs	16x HDMI (16x HDMI Uncompressed AV & Data)
Power	5v/6A DC
Dimensions	435(W) x 50(H) x 125(D)mm



QU-10-4K22

1 to 10 HDMI Distribution Amplifier

20m



HDMI 4K UHD HDCP2.2

The **QU-10-4K22** Distribution Amplifier (splitter) accepts one HDMI input and splits this signal to ten identical outputs. This device supports 4K2K Ultra-High Definition video with HDMI2.0 and HDCP2.2 compliance.

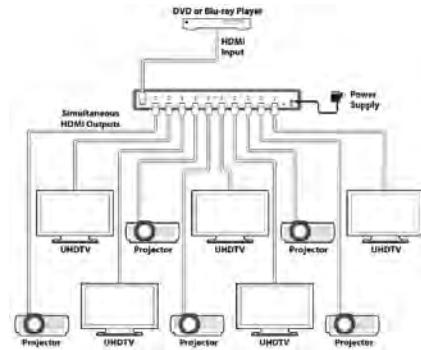
In addition, 3D video signals and High Definition Audio formats such as LPCM 7.1Ch, Dolby TrueHD, Dolby Digital Plus, Dolby Atmos and DTS-HD Master Audio, audio sampling rate up to 192kHz are also supported. Each buffered output can run 1080p/8-bit up to 20 metres and can also be cascaded up to 3 layers.

Features:

- HDMI 2.0, HDCP2.2 and DVI compliant
- HDMI 1 to 10 HDMI splitter
- Supports UHDTV resolutions up to 4K2K: 3840x2160@24/25/30/50/60Hz and 4096x2160 @ 24/25/30/60Hz
- Supports passthrough of high definition audio: LPCM 2/5.1/7.1Ch, Dolby Digital 2/5.1Ch, DTS 2/5.1Ch, Dolby TrueHD, DTS-HD Master Audio and Dolby Atmos
- Supports System Reset function (CEC active source command) allows the unit to reset the TV to its default HDMI input automatically
- HDMI input supports 'Standard' mode and 'TV' mode EDID settings
- Input and output status are indicated on the front panel

Specifications:

Model	QU-10-4K22
Inputs	1x HDMI (1x HDMI 2.0 Uncompressed AV & Data) 1x USB Mini B (1x Service - Proprietary Data)
Outputs	10x HDMI (10x HDMI 2.0 Uncompressed AV & Data)
Power	5v/2.6A
Dimensions	160(W) x 44(H) x 436(D)mm



QU-8-4K22

1 to 8 HDMI Distribution Amplifier



HDMI 4K UHD HDCP2.2

The **QU-8-4K22** Distribution Amplifier (splitter) accepts one HDMI input and splits this signal to eight identical outputs. This device supports 4K2K Ultra-High Definition video with HDMI2.0 and HDCP2.2 compliance.

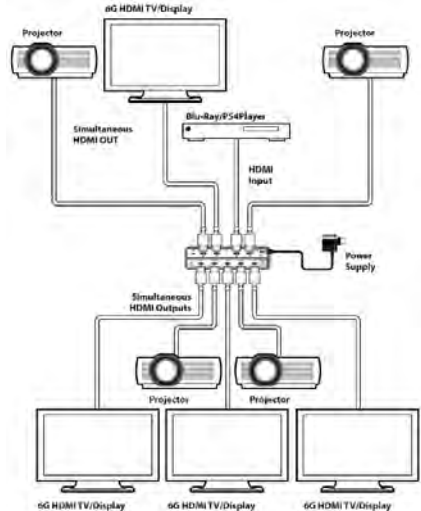
In addition, 3D video signals and High Definition Audio formats such as LPCM 7.1Ch, Dolby TrueHD, Dolby Digital Plus, Dolby Atmos and DTS-HD Master Audio, audio sampling rate up to 192kHz are also supported. Each buffered output can run 1080p/8-bit up to 20 metres and can also be cascaded up to 3 layers.

Features:

- HDMI 2.0, HDCP2.2 and DVI compliant
- HDMI 1 to 8 HDMI splitter
- Supports UHDTV resolutions up to 4K2K: 3840x2160@24/25/30/50/60Hz and 4096x2160 @ 24/25/30/60Hz
- Supports passthrough of high definition audio: LPCM 2/5.1/7.1Ch, Dolby Digital 2/5.1Ch, DTS 2/5.1Ch, Dolby TrueHD, DTS-HD Master Audio and Dolby Atmos
- Supports System Reset function (CEC active source command) allows the unit to reset the TV to its default HDMI input automatically
- HDMI input supports 'Standard' mode and 'TV' mode EDID settings
- Input and output status are indicated on the front panel

Specifications:

Model	QU-8-4K22
Inputs	1x HDMI (1x HDMI Uncompressed AV & Data) 1x USB Mini B (1x Service Port Proprietary Data)
Outputs	8x HDMI (8x HDMI Uncompressed AV & Data)
Power	5v/3A
Dimensions	103(W) x 25(H) x 240(D)mm





20m

QU-28S-4K22

2 to 8 HDMI Switching Distribution Amplifier



HDMI 4K UHD HDCP2.2

The **QU-28S-4K22** is an advanced signal distribution tool providing high performance audio and video support including HDR and other features defined by the HDMI 2.0a specification.

4K HDR video sources, up to and including 4K@60Hz (4:4:4, 8-bit) as well as 10/12-bit sources with HDR, are able to be distributed across the 8 outputs. Pass-through of multiple digital audio formats such as LPCM 7.1, Bitstream and advanced HD Bitstream with audio sampling rates up to 192kHz are also supported.

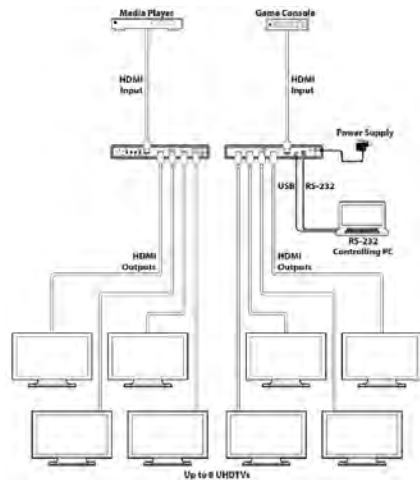
This Distribution Amplifier also includes a special 'Group Mode' which allows the unit to function as two independent 1x4 splitters. When Group Mode is enabled, each of the 2 HDMI inputs are routed to their own discrete set of 4 outputs.

Features:

- HDMI 4K HDR, 18Gbps, 3D and 4K@60Hz support, DVI 1.0 compatible
- HDCP2.2 and HDCP Backwards Compatible
- Supports up to 4K UHD (18Gbps, 4K@50/60Hz 4:4:4, 8-bit) video signals
- 8 output HDMI splitter with 2 selectable inputs and automatic input switching support
- Special 'Group Mode' allows the unit to function as two independent 1x4 splitters in a single box
- Supports current 10-bit and 12-bit HDR (High Dynamic Range) formats
- Supports pass-through of LPCM 7.1, Bitstream and advanced HD Bitstream audio formats
- Independent output selection, 4K to 1080p down-scaling/colour space conversion (4:4:4 to 4:2:0)
- Independent HDCP management engine for each output
- Supports 8 internal EDIDs, 8 external EDIDs copied from connected devices and two user provided EDIDs
- Front-panel control buttons with OSD and RS-232

Specifications:

Model	QU-28S-4K22
Inputs	2x HDMI (2x HDMI Uncompressed AV & Data) 1x USB Mini B (1x Service/Control Port Propriety Data)
Outputs	8x HDMI (8x HDMI Uncompressed AV & Data)
Power	5v/3.2A
Dimensions	240(W) x 25(H) x 103(D)mm



QU-8MS

1 to 8 HDMI Distribution Amplifier



HDMI

The **QU-8MS** Distribution Amplifier (splitter) accepts one HDMI input and splits this signal to eight identical outputs. This device features a 3D signal indicator which confirms when a 3D source signal is detected.

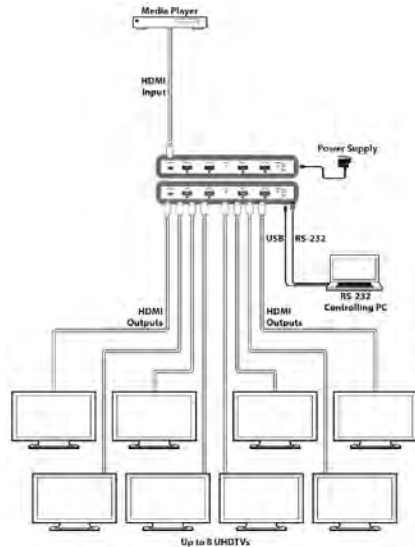
The System Reset Function switch generates a command every 10 minutes to the connected displays which resets them to the correct HDMI input. Each buffered output can run 1080p/8-bit up to 15 metres and can also be cascaded in multiple layers.

Features:

- v1.3 HDMI, HDCP 1.1 and DVI 1.0 compliant
- HDMI 1 to 8 Splitter with System Reset function
- Resolutions supported: PC - VGA to UXGA; HDTV - 480i to 1080p plus 1080p24fps
- High Definition Audio supported: Dolby TrueHD, Dolby Digital Plus and DTS-HD Master Audio plus LPCM
- Auto signal amplification and equalisation improves signal transmission distances
- Supports CEC bypass
- Supports Deep Colour (10 and 12bit)
- Selectable EDID settings - TV (downstream) and STD (fixed)
- 3D Signal, Power and SYNC LED indicators

Specifications:

Model	QU-8MS
Inputs	1x HDMI (1x HDMI Uncompressed AV & Data)
Outputs	8x HDMI (8x HDMI Uncompressed AV & Data)
Power	5v/3A
Dimensions	101(W) x 30(H) x 240(D)mm



QU-18S

1 to 8 Rack-Mountable HDMI Distribution Amplifier



HDMI

The **QU-18S** Distribution Amplifier (splitter) accepts one HDMI input and splits this signal to eight identical outputs. This device is compatible to v1.3 HDMI specifications, supporting 'Deep Colour' together with High Definition Audio.

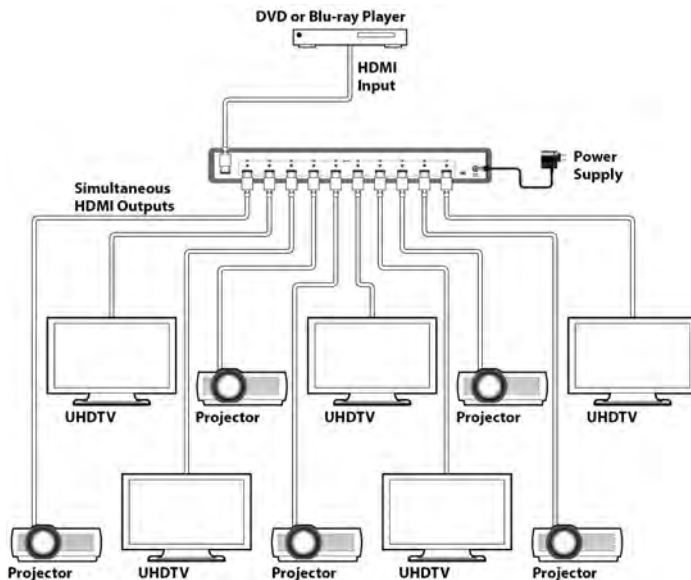
Each buffered output can run 1080p/8-bit up to 20 metres and can also be cascaded up to 3 layers.

Features:

- v1.3 HDMI, HDCP 1.1 and DVI 1.0 compliant
- HDMI 1 to 8 Splitter
- Resolutions supported: PC - VGA to UXGA; HDTV - 480i to 1080p plus 1080p24fps
- High Definition Audio supported: Dolby TrueHD, Dolby Digital Plus and DTS-HD Master Audio plus LPCM (32-192kHz sample rate)
- Auto signal amplification and equalisation improves signal transmission distances
- Supports CEC bypass
- Supports Deep Colour (10 and 12bit)
- Selectable EDID settings - TV (downstream) and STD (fixed)
- Power, HDMI/DVI, HDCP and SYNC plus independent output LED indicators

Specifications:

Model	QU-18S
Inputs	1x HDMI (1x HDMI Uncompressed AV & Data)
Outputs	8x HDMI (8x HDMI Uncompressed AV & Data)
Power	5v/6A
Dimensions	435(W) x 45(H) x 106(D)mm



PU-Q1H8CS

1 to 8 HDMI to Single Cat6 Distribution Amplifier



HDMI

The **PU-Q1H8CS** has 1 HDMI input and 8 Single Cat6 outputs to simultaneously distribute a HDMI source to eight displays up to a distance of 40 metres. This solution is perfect for distributing the HDMI source content over longer distances than is usually achievable with HDMI cable, using cost effective Cat6 cable infrastructure.

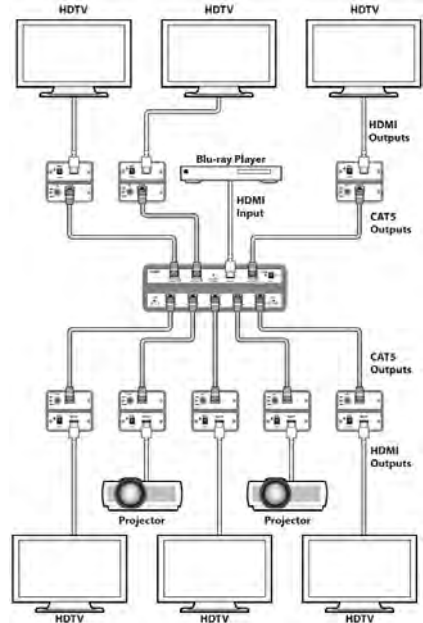
Use the **PU-1107RX** Single Cat6 to HDMI Receivers on each of the eight Cat6 outputs to convert back from Cat6 to HDMI for connection to the displays.

Features:

- v1.3 HDMI, HDCP 1.1 and DVI 1.0 compliant
- 1 to 8 HDMI to single Cat6 splitter
- Resolutions supported: PC - VGA to WUXGA; HDTV - 480i to 1080p plus 1080p24fps
- High Definition Audio supported: Dolby TrueHD, Dolby Digital Plus and DTS-HD Master Audio plus LPCM
- Cat output can run up to 40 metres@1080p, 8 bit
- Selectable EDID settings - TV (downstream) or STD (fixed) and 12 bit or 8 bit Deep Colour
- Supports 'Deep Colour' (10 and 12 bit)

Specifications:

Model	PU-Q1H8CS
Inputs	1x HDMI (1x HDMI Uncompressed AV & Data)
Outputs	8x RJ45 (8x HDMI & Propriety Data)
Power	5v/3.2A DC
Dimensions	240(W) x 30(H) x 105(D)mm



QU-4-4K22

1 to 4 HDMI Distribution Amplifier



HDMI 4K UHD HDCP2.2

This **QU-4-4K22** is more than just a Distribution Amplifier; it provides high performance audio and video support including HDR and other features defined by the HDMI 2.0a specification.

4K UHD HDMI video sources, up to and including 4K@60Hz (4:4:4, 8-bit) as well as 10/12-bit sources with HDR, are able to be 'split' to the 4 x HDMI outputs. Pass-through of multiple digital audio formats such as LPCM 7.1, Bitstream and advanced HD Bitstream with audio sampling rates up to 192kHz are also supported. An independent HDCP management engine for each output ensures stable HDCP performance.

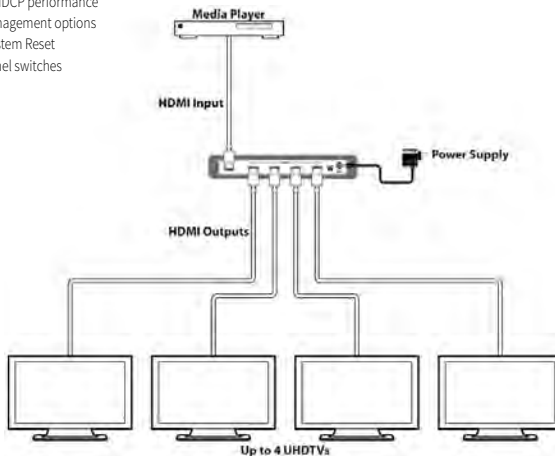
When a mixture of displays with different specifications and resolutions are connected, each output can automatically scale 4K to 1080p or apply colour space conversion (4:4:4 to 4:2:0), as appropriate, based on each connected display's EDID requirements. CEC 'active source' command can be enabled to periodically reset input selection on CEC compatible connected displays. This unit is controlled via front-panel switches with easy to read status LEDs.

Features:

- HDMI with HDR 6G (HDR10/Dolby Vision support), 3D and 4K@60Hz support, DVI 1.0 compatible
- HDCP2.2 and HDCP backwards compatibility
- 1x HDMI input and 4 x HDMI outputs
- Supports up to 4K UHD (18Gbps, 4K@50/60Hz 4:4:4, 8-bit) video signals
- Supports current 10-bit and 12-bit HDR (High Dynamic Range) formats
- Supports pass-through of LPCM 7.1, Bitstream and advanced HD Bitstream audio formats
- Automatic 4K to 1080p down-scaling and colour space conversion (4:4:4 to 4:2:0) for each independent output based on each connected display's EDID
- Independent HDCP management engine for each output ensures stable HDCP performance
- Simple to use EDID management options
- Support for the CEC System Reset
- Controlled via front-panel switches

Specifications:

Model	QU-4-4K22
Inputs	1x HDMI (1x HDMI Uncompressed AV & Data) 1x USB Mini B (1x Service Port Proprietary Data)
Outputs	4x HDMI (4x HDMI Uncompressed AV & Data)
Power	5v/2.6A DC
Dimensions	231(W) x 25(H) x 117(D)mm



QU-14S

1 to 4 HDMI Distribution Amplifier



HDMI

The **QU-14S** Distribution Amplifier (splitter) accepts one HDMI input and splits this signal to four identical outputs. This device is compatible to v1.3 HDMI specifications, supporting 'Deep Colour' together with High Definition Audio.

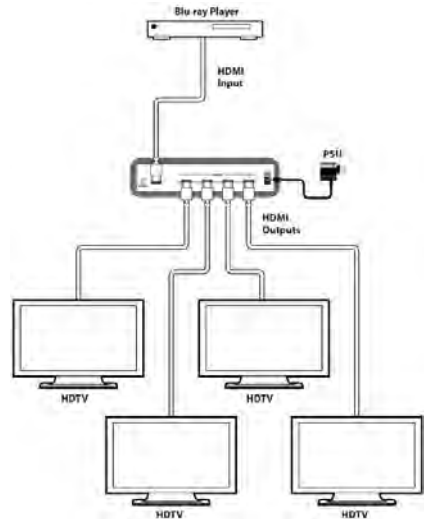
Each buffered output can run 1080p/8-bit up to 20 metres and can also be cascaded up to 3 layers.

Features:

- v1.3 HDMI, HDCP 1.1 and DVI 1.0 compliant
- HDMI 1 to 4 Splitter
- Resolutions supported: PC - VGA to UXGA; HDTV - 480i to 1080p plus 1080p24fps
- High Definition Audio supported: Dolby TrueHD, Dolby Digital Plus and DTS-HD Master Audio plus LPCM
- Auto signal amplification and equalisation improves signal transmission distances
- Supports CEC bypass
- Supports Deep Colour (10 and 12 bit)
- Selectable EDID settings - TV (downstream) and STD (fixed)
- Power, HDMI/DVI, HDCP and SYNC plus independent output LED's indicator

Specifications:

Model	QU-14S
Inputs	1x HDMI (1x HDMI Uncompressed AV & Data)
Outputs	4x HDMI (4x HDMI Uncompressed AV & Data)
Power	5v/2.6A DC
Dimensions	215(W) x 45(H) x 135(D)mm



QU-2-4K22

1 to 2 HDMI Distribution Amplifier



HDMI 4KUHD HDCP2.2

The **QU-2-4K22** Distribution Amplifier (splitter) accepts one HDMI input and splits this signal to two identical outputs. This device supports 4K2K Ultra-High Definition video with HDMI2.0 and HDCP2.2 compliance. In addition, 3D Video signals and High Definition Audio formats such as LPCM 7.1Ch, Dolby TrueHD, Dolby Digital Plus, Dolby Atmos and DTS-HD Master Audio, audio sampling rate up to 192kHz are also supported.

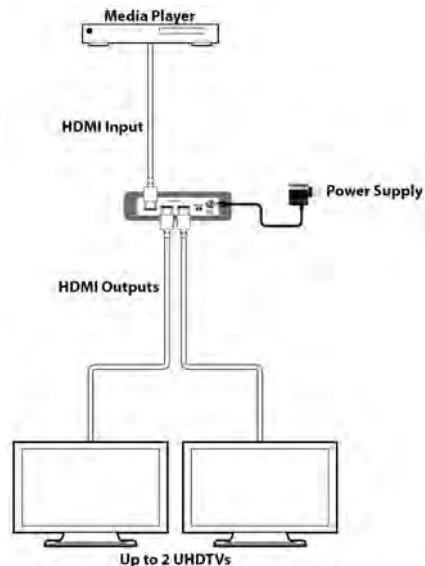
When a mixture of displays with different specifications and resolutions are connected, each output can automatically scale 4K to 1080p or apply colour space conversion (4:4:4 to 4:2:0), as appropriate, based on each connected display's EDID requirements. CEC 'active source' command can be enabled to periodically reset input selection on CEC compatible connected displays. This unit is controlled via front-panel switches with easy to read status LEDs.

Features:

- HDMI 2.0, HDCP2.2 and DVI compliant
- HDMI 1 to 2 splitter
- Supports UHDTV resolutions up to 4K2K: 3840x2160@24/25/30/50/60Hz and 4096x2160 @ 24/25/30/60Hz
- Supports passthrough of high definition audio: LPCM 2/5.1/7.1Ch, Dolby Digital 2/5.1Ch, DTS 2/5.1Ch, Dolby TrueHD, DTS-HD Master Audio and Dolby Atmos
- Supports System Reset function (CEC active source command) allows the unit to reset the TV to its default HDMI input automatically
- HDMI input supports 'Standard' mode and 'TV' mode EDID settings
- Input and output status are indicated on the front panel
- HDMI with HDR 6G (HDR10/Dolby Vision support), 3D and 4K@60Hz support, DVI 1.0 compatible
- Supports current 10-bit and 12-bit HDR (High Dynamic Range) formats
- Automatic 4K to 1080p down-scaling and colour space conversion (4:4:4 to 4:2:0) for each independent output based on each connected display's EDID
- Independent HDCP management engine for each output ensures stable HDCP performance
- Controlled via front-panel switches

Specifications:

Model	QU-2-4K22
Inputs	1x HDMI (1x HDMI Uncompressed AV & Data) 1x USB Mini B (1x Service Port Propriety Data)
Outputs	2x HDMI (2x HDMI Uncompressed AV & Data)
Power	5v/2.6A DC
Dimensions	128(W) x 25(H) x 116(D)mm



QU-12S

1 to 2 HDMI Distribution Amplifier



HDMI

The **QU-12S** Distribution Amplifier (splitter) accepts one HDMI input and splits this signal to two identical outputs. This device is compatible to v1.3 HDMI specifications, supporting 'Deep Colour' together with High Definition Audio.

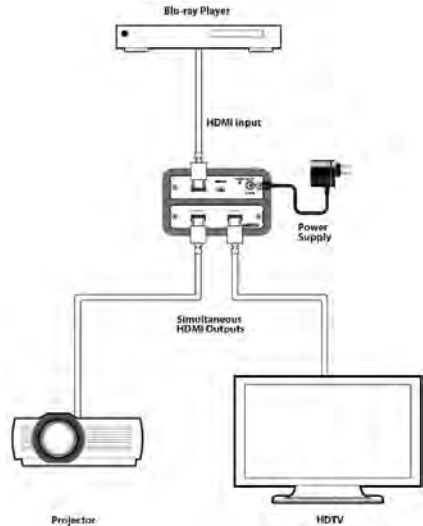
Each buffered output can run 1080p/8-bit up to 20 metres and can also be cascaded up to 3 layers.

Features:

- HDMI2.0, HDCP 1.4 and DVI 1.0 compliant
- Resolutions supported: PC - VGA/SVGA/XGA/SXGA/UXGA;
HDTV - 480i/576i/480p/576p/720p/1080i/1080p/1080p 24fps
- Additional timing support: 3G 4K signals, 4K50/60HZ 4:2:0 & 4K24-30Hz 4:4:4
- Video Support (PC): VGA/SVGA/XGA/SXGA/UXGA
- High Definition Audio supported: Dolby TrueHD, Dolby Digital Plus and DTS-HD Master Audio plus LPCM
- 3D Ready
- Deep Colour (bit) 10/12
- Switchable EDID modes: STD and TV
- Auto signal amplification and equalisation improves signal transmission distances
- Supports CEC bypass
- Supports Deep Colour (10 and 12 bit)

Specifications:

Model	QU-12S
Inputs	1x HDMI (1x HDMI Uncompressed AV & Data)
Outputs	2x HDMI (2x HDMI Uncompressed AV & Data)
Power	5v/2.6A DC
Dimensions	102(W) x 25(H) x 146(D)mm



QU-12D

1 to 2 DVI Distribution Amplifier

15m



DVI

The **QU-12D** is a high performance, HDCP compliant, DVI distribution amplifier allowing one DVI input to be distributed to two displays simultaneously.

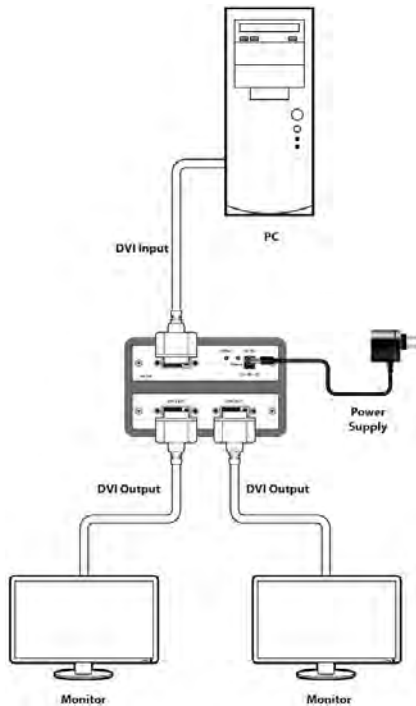
Each of the buffered outputs can run up to 15 metres (8-bit) and can be cascaded up to 3 layers.

Features:

- HDMI 1.3 and DVI 1.0 compliant
- Supports PC resolutions: VGA to WUXGA
- Supports HDTV resolutions: 480p to 1080p
- Can be cascaded up to 3 layers
- Each output can run up to 15 metres/8-bit or 10 metres/12-bit
- The device will read EDID of output 1 and will record it

Specifications:

Model	QU-12D
Inputs	1x DVI-I (1x DVI-D)
Outputs	2x DVI-I (2x DVI-D)
Power	5v/2.6A DC
Dimensions	123(W) x 30(H) x 100(D)mm





howtoAVtv

FREE AV training videos
from our multi-award
winning channel:

www.HowToAV.tv



06. Scalers & Converters

HDMI | Analogue to HDMI |
Analogue

Our scaling and conversion solutions help tame the wide variety of AV signals, connector types and legacy formats to enable installers to easily integrate and optimise any audio or video source into a wider AV system.

We have built up an extensive range of AV format converters and scalars that help the installer easily overcome the installation challenges and ensure that every AV signal in the wider system can be optimised to achieve the best possible results.

06



Scalers & Converters



EL-6010-4K22

HDMI/VGA/DisplayPort to HDMI Scaler



HDMI VGA DisplayPort 4K UHD HDCP2.2

The **EL-6010-4K22** is a multi-format scaler with HDMI, VGA and DisplayPort inputs scaling to the HDMI output. Ideal for boardroom or classroom applications, this device is designed to enable an installer to scale the input from the connected source device to a HDMI resolution suitable for the connected HDMI display.

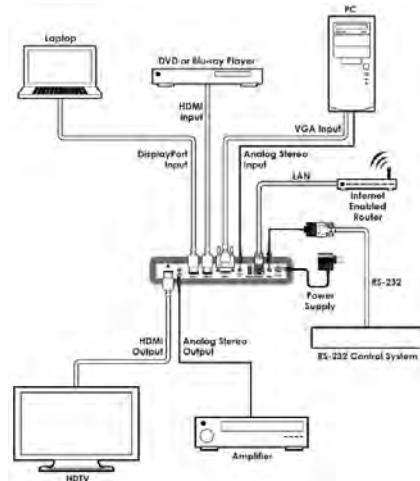
This unit also features a selection of adjustment options you are likely to need when accommodating different sources including a wide array of aspect ratio settings as well as contrast, brightness, saturation, hue and sharpness settings directly on the device. In addition, the EL-6010-4K22 has an analogue speaker output for ease of integration.

Features:

- Supports multiple input formats - HDMI, DisplayPort and VGA
- HDMI 2.0, HDCP2.2, HDCP 1.4 and DVI 1.0 compliant
- Supports video resolutions up to 4K@60Hz (YUV 4:4:4)
- Auto source detection: Automatically switches to the most recently connected input
- Wide range of aspect ratio settings including: full screen, 16:9, 16:10 and 4:3
- Direct adjustment of contrast, brightness, hue and saturation
- Audio mute function
- Analogue stereo audio output with volume control
- EDID management support
- Comprehensive user interface options including: Front panel with OSD, WebGUI, telnet, RS-232 and IR remote

Specifications:

Model	EL-6010-4K22
Inputs	1x HDMI (1x HDMI Uncompressed AV & Data) 1x DisplayPort (1x Uncompressed AV) 1x 15pin Dsub (1x VGA RGBHV) 1x 3.5mm Stereo mini-jack (1x Analogue Stereo(L/R)) 1x 3.5mm Stereo mini-jack (1x RS-232) 1x RJ45 (1x IP Control) 1x USB Type A (1x Service Port Propriety Data)
Outputs	1x HDMI (1x HDMI Uncompressed AV & Data) 1x 3.5mm Stereo mini-jack (1x Analogue Stereo(L/R))
Power	5v/3A DC
Dimensions	117(W) x 25(H) x 231(D)mm



SY-12H-4K22

4K UHD (HDR10 6G) 1 to 2 HDMI Dual Scaler



HDMI 4K UHD 18Gbps HDCP2.2

This **SY-12H-4K22** is designed to upscale 1080p signals into 4K UHD (18Gbps) or downscale 4K UHD (18Gbps) signals into 1080p with synchronized digital audio output. The user-friendly interface provides simple control of the unit while viewing the OSD directly on the HDMI outputs.

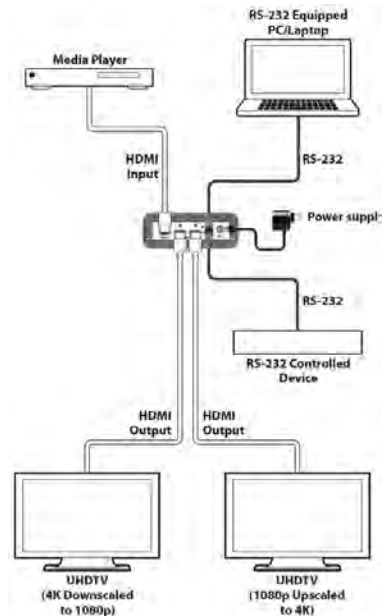
The input signal can be sent to both HDMI outputs simultaneously with a different resolution on each, or the unit can generate a test pattern at a preferred video resolution for easy on-site display testing.

Features:

- HDMI input and output with 18Gbps (600MHz) 4K UHD with HDR support
- DVI 1.0 compliant with the use of an HDMI-DVI adapter
- HDCP2.2 compliant
- 1 x HDMI input and 2 x HDMI outputs
- Supports HDCP2.2 to HDCP1.4 conversion
- HDMI signal bypass on both outputs or upscales 1080p signals to 4K on output B and downscales 4K signals to 1080p on output A
- Supports HD resolutions up to 3840x2160@60Hz (4:4:4, 8-bit)
- Supports 4K HDR at 24/30Hz (YUV 4:4:4) and 50/60Hz (YUV 4:2:0) with up to 12-bit colour
- Supports 16-bit Deep Colour up to 1080p@60Hz
- Supports pass-through of many audio formats including LPCM 2.0/5.1/7.1, Bitstream and HD Bitstream
- Supports colour space conversion of 4K@50/60Hz (4:4:4, 8-bit) or 4K@any (10/12-bit) sources
- Integrated EDID and HDCP management
- Basic signal event automation (via RS-232 or CEC)
- Front panel controls with OSD and RS-232

Specifications:

Model	SY-12K-4K22
Inputs	1x HDMI (1x HDMI Uncompressed AV & Data) 1x USB Type A (1x Service and comms port Proprietary Data) 1x Phoenix (3 pin) (1x RS-232)
Outputs	2x HDMI (2x HDMI Uncompressed AV & Data) 1x Phoenix (3 pin) (1x RS-232)
Power	5v/2.6A
Dimensions	128(W) x 25(H) x 83(D)mm





SY-4KS-4K22

HDMI 4K Scaler with Dual Outputs & HDCP Converter



HDMI 4K UHD HDCP2.2

The **SY-4KS4K22** HDMI Scaler is designed to upscale 1080p resolutions to 4K Ultra High Definition (UHD) resolutions or downscale a UHD 4K signal to 1080p for integration into any AV system. This scaler utilises the latest HDMI2.0 and HDCP2.2 technology ensuring the highest levels of compatibility. The ability to downscale 4K signals to 1080p is a crucial function when working with 4K sources in a complex AV system and distributing the HDMI source signals to multiple displays which have varying resolution support.

The SY-4KS-4K22 incorporates two HDMI outputs, one of which can upscale or bypass (input follows output) and the second can downscale or bypass the incoming signal.

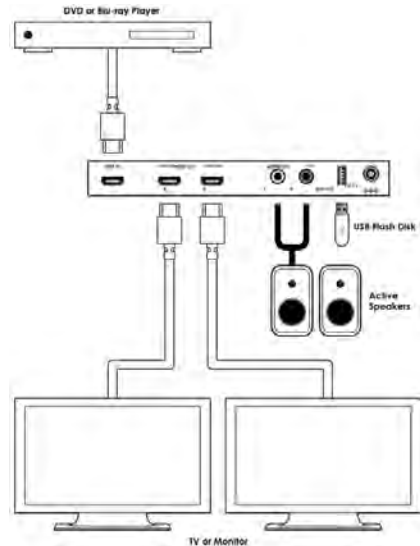
For further compatibility with legacy displays, there is also an on-board HDCP conversion tool enabling HDCP2.2 to be converted for use with HDCP1.4 compliant displays. Lastly, the SY-4KS-4K22 has an on-board Digital-to-Analogue audio Converter (DAC) enabling stereo analogue audio breakout.

Features:

- HDMI2.0 and HDCP2.2 compliant
- Supports HDMI upscaling to 4K or downscaling to 1080p
- Simultaneous HDMI outputs
- Supports HDMI signal bypass
- Supports UHD resolutions up to 4K2K: 3840x2160@24/25/30/50/60Hz and 4096x2160 @ 24/25/30/60Hz
- Supports pass-through of high definition audio: LPCM 2/5.1/7.1Ch, Dolby Digital 2/5.1Ch, DTS 2/5.1Ch, Dolby TrueHD, DTS-HD Master Audio and Dolby Atmos
- Deep Colour conversion: 12 or 10 bit conversion to 8 bit (including HDR down convert)
- On-board HDCP2.2 to HDCP1.4 conversion tool
- On-board Digital-to-Analogue audio converter (DAC)

Specifications:

Model	SY-4KS4K22
Inputs	1x HDMI (1x HDMI Uncompressed AV & Data) 1x USB Type A (1x Service Part Propriety Data)
Outputs	2x HDMI (2x HDMI - up / down scaling outputs Uncompressed AV & Data) 2x RCA (1x Analogue Stereo (L/R))
Power	5v/2.6A
Dimensions	117(W) x 25(H) x 231(D)mm



SY-300H-4K22

HDMI to HDMI Scaler with Audio Embed/De-embed



HDMI 4K UHD 18Gbps HDCP2.2

This **SY-300H-4K22** accepts and outputs a wide range of resolutions up to 4K@60Hz (4:4:4, 8-bit) with simultaneous audio embedding and de-embedding of digital (HDMI or optical) or analogue audio. Integrated EDID and HDCP management allow for control over the connected sources and displays detected by the unit.

The scaled HDMI output is powered by a high quality single-pass scaling engine with the ability to adjust the image with a number of fine tuning options including: contrast, brightness, hue, saturation, sharpness, noise reduction and RGB levels.

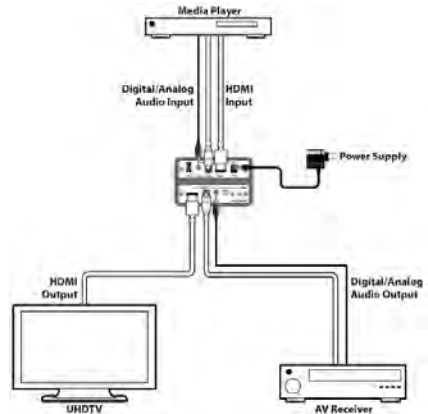
The HDMI input and output supports passing up to LPCM 7.1 digital audio as well as Bitstream and HD Bitstream audio formats. Audio embedding and de-embedding is also available with the included digital optical and analogue stereo audio inputs and outputs (LPCM 2.0 only).

Features:

- HDMI input and output with 18Gbps (600MHz) 4K UHD support
- DVI 1.0 compliant with the use of an HDMI-DVI adaptor
- HDCP2.2 and HDCP 1 compliant
- 1 x HDMI input and 1 x HDMI output
- 1 x Digital Optical Audio (TOSLINK) and 1 Analogue Stereo Audio input
- 1 x Digital Optical Audio (TOSLINK) and 1 Analogue Stereo Audio output
- HDMI input supports resolutions up to 4096x2160p@60Hz (4:4:4, 8-bit)
- Scaled HDMI output supports resolutions from 640x480@60Hz up to 4096x2160p@60Hz (4:4:4, 8-bit)
- Supports pass-through of many audio formats including LPCM 2.0/5.1/7.1, Bitstream and HD Bitstream via HDMI
- Supports audio embedding and de-embedding via digital optical and analogue stereo audio inputs and outputs (LPCM 2.0 only)
- Supports frame rate conversion, 3D motion adaptive de-interlacing and 3:2/2:2 pull-down detection and recovery
- Supports output adjustments to contrast, brightness, hue, saturation, sharpness, RGB levels and aspect ratio
- Integrated EDID and HDCP management

Specifications:

Model	SY-300H-4K22
Inputs	1x HDMI (1x HDMI Uncompressed AV & Data) 1x Toslink (1x Optical 2 Channel LPCM) 1x 3.5mm Stereo mini-jack (1x Analogue Stereo(L/R))
Outputs	1x HDMI (1x HDMI Uncompressed AV & Data) 1x Toslink (1x Optical 2 Channel LPCM) 1x 3.5mm Stereo mini-jack (1x Analogue Stereo(L/R))
Power	5V/2.6A
Dimensions	147(W) x 25(H) x 102(D)mm





SY-300H

HDMI to HDMI Scaler with Audio Embed/De-embed



HDMI

The **SY-300H** will allow a HDMI source signal to be scaled up or down to a variety of different resolutions selectable via the OSD (On Screen Display). When set to 'native' mode, the scaler will automatically scale the HDMI input signal to the native resolution of the connected screen. This device also provides 50/60Hz frame rate conversion, further enhancing compatibility with AV sources and displays.

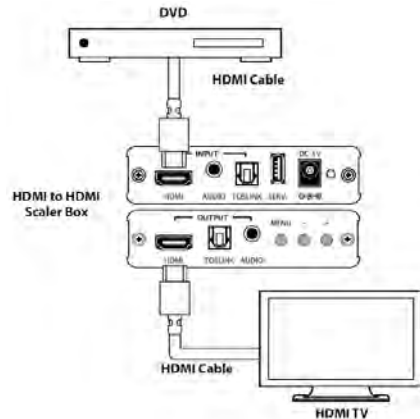
In addition, the SY-300H includes integrated audio embedding and de-embedding using the Toslink and 3.5mm jack inputs and outputs.

Features:

- HDMI, HDCP and DVI compliant
- Full range of resolutions supported PC from VGA - WUXGA (RB) and HD resolutions from 480i - 1080p
- Output resolution can be set to native, which automatically scales the output to the resolution of the connected display
- Features 50/60Hz frame rate conversion
- Provides output picture adjustment on contrast, brightness, hue, saturation, sharpness, RGB (colour tone) level and aspect ratio size
- Supported audio HDMI and Toslink: Dolby Digital, DTS, LPCM 5.1 and LPCM 2.0
- Supported audio 3.5mm Jack: Analogue stereo audio

Specifications:

Model	SY-300H
Inputs	1x HDMI (1x Uncompressed AV & Data) 1x Toslink (1x 2 Channel LPCM/Dolby Digital/DTS) 1x USB Type A (1x Service Port Proprietary Data) 1x 3.5mm Stereo mini-jack (1x Analogue Stereo(L/R))
Outputs	1x HDMI (1x Uncompressed AV & Data) 1x Toslink (1x 2 Channel LPCM/Dolby Digital/DTS) 1x 3.5mm Stereo mini-jack (1x Analogue Stereo(L/R))
Power	5v/2.6A
Dimensions	100(W) x 25(H) x 150(D)mm



SY-298H24

HDMI to HDMI Up & Down Scaler



HDMI

The **SY-298H24** will allow a HDMI source signal to be up or down scaled according to the screen specifications required. Any HDMI signal inputted can be scaled up or down to between 480i to 1080p, plus PC output resolutions of VGA or UXGA.

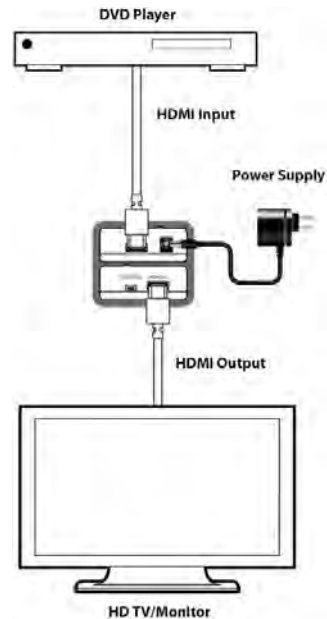
This device accepts 1080p24 input resolutions enabling content filmed at 24 frames per second to be displayed. This feature is particularly useful when a 1080p24 source signal is distributed to multiple displays. If any screen is not 1080p24 compatible, the SY-298H24 can be used to scale the input signal to suit the supported screen resolution, whilst not affecting the signal being sent to the 1080p24 compatible screens.

Features:

- HDMI, HDCP1.1 and DVI compliant
- Upscale video signal from HDMI source between 480p and 1080p@50/60, including 1080p24
- Supports a wide range of output resolutions from 480p to 1080p and PC from VGA to SXGA
- Supports audio sampling rate up to 192kHz
- Supports Dolby and DTS 5.1 audio pass-through
- Supports frame rate conversion
- Adaptive contrast enhancement
- Support CEC bypass
- On Screen Display Menu for ease of use

Specifications:

Model	SY-298H24
Inputs	1x HDMI (1x HDMI Uncompressed AV & Data)
Outputs	1x HDMI (1x HDMI Uncompressed AV & Data)
Power	5v/1.2A
Dimensions	85(W) x 25(H) x 80(D)mm



SY-HDVGA-4K22

PC/HDMI to HDMI 4K Scaler (6G) with Audio



HDMI VGA 4K UHD HDCP2.2

The **SY-HDVGA-4K22** is a compact yet versatile 4K UHD HDMI and PC/HD to HDMI Scaler. It accepts a wide range of resolutions from 480i up to 1080p/WUXGA for PC/HD and up to 4K@60Hz (4:4:4) for HDMI with the ability to scale the output to a selectable resolution up to 4K@60Hz (4:4:4) with simultaneous de-embedded, digital optical and analog audio outputs.

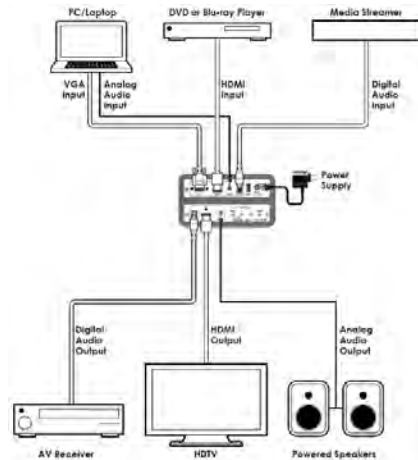
The SY-HDVGA-4K22 also has auto source detection and switching feature allowing the unit to switch automatically to the most recently connected source or to switch to an alternative source if the current one becomes disconnected.

Features:

- HDMI 2.0 with 4K@60Hz (4:2:0 and 4:4:4) support, DVI 1.0 compliant
- HDCP2.2 compliant
- Supports PC input resolutions from VGA-WUXGA and HD input resolutions from 480i-1080p@60Hz
- Supports HDMI input resolutions from 480i-4K@60Hz (4:4:4, 8-bit)
- Supports HDMI output resolutions from 640x480@60Hz up to 4096x2160@60Hz (4:4:4, 8-bit)
- Analog YUV input is supported with the use of a 15-pin to 3-RCA adapter
- Automatic detection of the preferred resolution and refresh rate reported by the source EDID to the connected display (NATIVE output mode)
- EDID management options including multiple pre-defined EDIDs and EDID pass-through
- Comprehensive output picture adjustments (contrast, brightness, hue, saturation, sharpness, RGB (colour tone) level and aspect ratio size)
- Supports LPCM 2.0 digital/analog audio input and LPCM 2.0 digital/analog output

Specifications:

Model	SY-HDVGA-4K22
Inputs	1x HDMI (1x HDMI Uncompressed AV & Data) 1x 15pin Dsub (1x VGA RGBHV / YPbPr Component) 1x Toslink (1x Optical 2 Channel LPCM) 1x 3.5mm Stereo mini-jack (1x Analogue Stereo(L/R))
Outputs	1x HDMI (1x HDMI Uncompressed AV & Data) 1x Toslink (1x Optical 2 Channel LPCM) 1x 3.5mm Stereo mini-jack (1x Analogue Stereo(L/R))
Power	5v/2.6A
Dimensions	145(W) x 30(H) x 192(D)mm



SY-P293

PC to HDMI Converter Scaler with Audio



HDMI VGA

The **SY-P293** is designed to scale analogue video signals from a PC source to a digital HDMI output, boasting a wide-range of HDTV and PC resolutions. Audio is combined with HDMI video output.

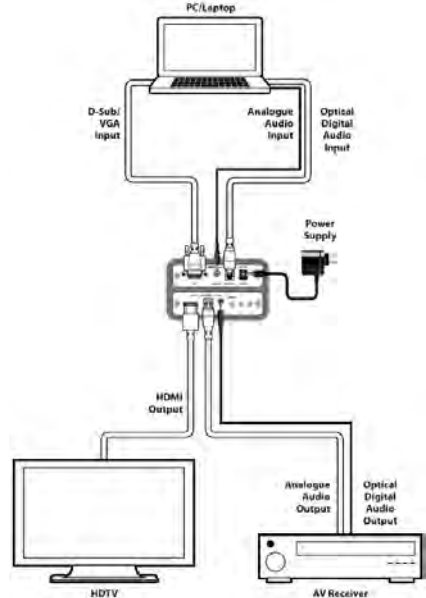
This unit offers a selection of colour space and adjustments to obtain the best picture quality.

Features:

- v1.2 HDMI, HDCP 1.1 and DVI 1.0 compliant
- Scales any PC resolutions to PC or HDTV resolutions
- Resolutions Supported: PC - VGA, SVGA, XGA, SXGA, UXGA, WXGA, WSXGA, WUXGA. SD/HD - 480i, 576i, 480p, 576p, 720p, 1080i and 1080p
- Audio Support: Analogue Stereo, Digital stereo PCM, DTS and Dolby Digital. Simply select from the audio input source this is then outputted to HDMI, Optical (Toslink) and mini-jack (stereo-only) simultaneously
- On screen menu with push button control
- Provides output picture adjustment on contrast, brightness, hue, saturation, sharpness, RGB (colour tone) level and aspect ratio size

Specifications:

Model	SY-P293
Inputs	1x 15pin Dsub (1x PC RGBHV) 1x 3.5mm Stereo mini-jack (1x Analogue Stereo(L/R)) 1x Toslink (1x Optical DTS / Dolby Digital / 2 Channel LPCM)
Outputs	1x HDMI (1x HDMI Uncompressed AV & Data) 1x 3.5mm Stereo mini-jack (1x Analogue Stereo(L/R)) 1x Toslink (1x Optical DTS / Dolby Digital / 2 Channel LPCM)
Power	5v/2.6A
Dimensions	102(W) x 25(H) x 154(D)mm



SY-P290

PC/DVI to HDMI Converter



HDMI VGA DVI

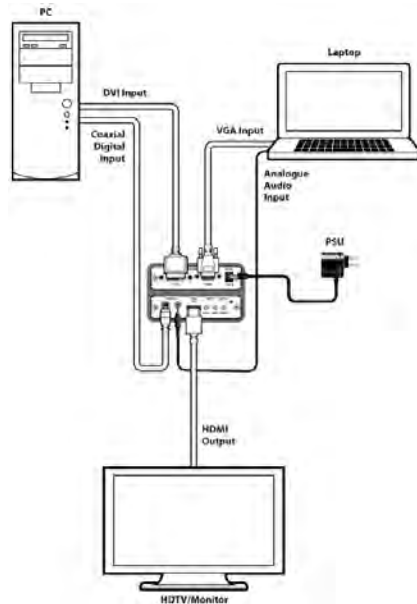
The **SY-P290** is designed to convert and scale Digital or Analogue RGBHV or YUV to HDMI for improved viewing. This unit offers a wide selection of output resolutions/format, colour space and adjustments to obtain the best picture quality.

Features:

- v1.2 HDMI, HDCP 1.1 and DVI 1.0 compliant
- PC/DVI to HDMI Converter
- Common supported resolutions: HDTV: 480p, 576p, 720p, 1080i, 1080p, 1080p24; PC: VGA, SVGA, XGA, WXGA, SXGA, UXGA, WUXGA
- Audio Support: Input - Analogue stereo and Coax; PCM Stereo, DTS and Dolby Digital; Output - Follows Input
- Scale analogue RGBHV/YUV and/or DVI/HDMI resolutions to XGA/UXGA/720p/1080p
- Direct push button controls for Audio, Video and Timing

Specifications:

Model	SY-P290
Inputs	1x 3.5mm Stereo mini-jack (1x Stereo/L/R) 1x DVI-I (1x DVI-D) 1x 15pin Dsub (1x RGBHV / YPbPr Component / YCbCr Component) 1x RCA (1x Coaxial DTS / Dolby Digital / 2 Channel LPCM)
Outputs	1x HDMI (1x Uncompressed AV & Data)
Power	5v/2.6A
Dimensions	102(W) x 25(H) x 160(D)mm



CM-388M

HDMI Down Scaler with Bypass Output



HDMI DVI Composite Component

The **CM-388M** is designed to convert digital signals from a HDMI (or DVI + Coaxial) source to Composite Video or S-Video for NTSC or PAL systems with L/R stereo audio.

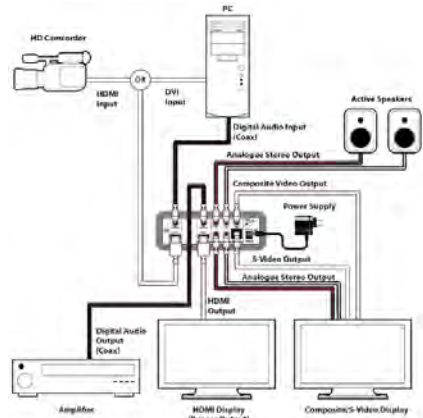
In addition to Composite Video and S-Video outputs, this device also provides one HDMI bypass output to deliver the original signal and a simultaneous Coaxial output to send S/PDIF digital audio to an audio amplifier.

Features:

- HDMI 1.2, HDCP 1.1 and DVI 1.0 compliant
- Convert HDMI source signals to Composite Video or S-Video, with selectable NTSC or PAL compatibility
- Converts digital audio from a HDMI source to analog stereo audio
- HDMI bypass with simultaneous de-embedded S/PDIF Digital Audio via a Coaxial output
- Accepts a wide range of HDTV input resolutions, from 480i to 1080p@60Hz and PC from VGA@60Hz to WUXGA@60Hz (Reduced Blanking)
- Supports Coaxial input audio sample rate 44.1kHz, 48kHz and 96kHz
- When the signal from HDMI or DVI source is protected by HDCP (High bandwidth Digital Content Protection), the HDMI or DVI display needs to support HDCP to be able to show picture
- When receiving content that is HDCP encrypted, the CV and SV output will not display images

Specifications:

Model	CM-388M
Inputs	1x HDMI (1x HDMI Uncompressed AV & Data) 1x RCA (1x Coaxial DTS / Dolby Digital / 2 Channel LPCM)
Outputs	1x RCA (1x Coaxial DTS / Dolby Digital / 2 Channel LPCM) 1x HDMI (1x HDMI (Bypass) Uncompressed AV & Data) 1x RCA (1x Composite) 1x S-video plug (1x S-video) 4x RCA (2x Analogue Stereo (L/R))
Power	5V/2.6A
Dimensions	140(W) x 38(H) x 128(D)mm





PRO-SDIHDMI

SDI to HDMI Converter with SDI Bypass



SDI HDMI

The **PRO-SDIHDMI** Converter accepts SD-SDI, HD-SDI and 3G-SDI signals and converts to HDMI. The SDI input also has a bypass which is outputted simultaneously alongside the HDMI output allowing the SDI signal to be extended over distances up to 300 metres.

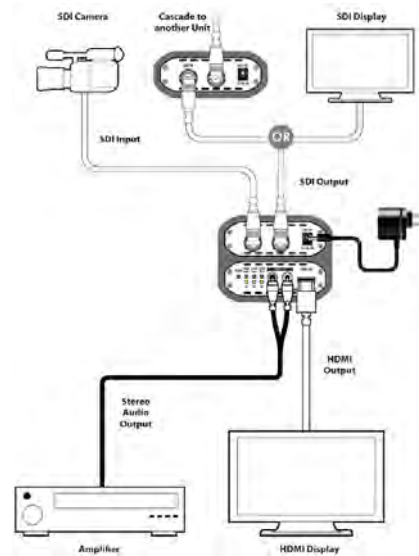
This device also has the added benefit of an integrated audio de-embedder for sending 2-channel (L/R) audio to an AV amplifier.

Features:

- Operation at 2.970Gb/s, 2.970/1.001Gb/s, 1.485Gb/s, 1.485/1.001Gb/s and 270Mb/s
- Supports SMPTE 425m (Level A and Level B), SMPTE 424M, SMPTE 292m, SMPTE 259M-C
- Equalized and re-clocked loop output
- Integrated audio de-embedder for max 8 channels of 48kHz audio
- Auto video mode detection (3G/SD/HD)
- Conversion from SMPTE 425m level B to Level A for 1080p 50/59.94/60 4:2:2 10-bit
- Cascade multiple units for extending the signal longer distances
- Simultaneous display with SDI and HDMI signal
- Supports SDI signal distance up to 300 metres for SD signal, 200 metres for HD signal and 100 metres for 3G signal

Specifications:

Model	PRO-SDIHDMI
Inputs	1x BNC (1x SD-SDI / HD-SDI / 3G-SDI)
Outputs	1x BNC (1x Loop SD-SDI / HD-SDI / 3G-SDI) 2x RCA (1x Analogue Stereo (L/R)) 1x HDMI (1x HDMI Uncompressed AV & Data)
Power	5v/2.6A
Dimensions	110(W) x 30(H) x 85(D)mm



SY-P295N

CV/SV to HDMI Converter and Scaler with Audio



Component S-Video HDMI

The **SY-P295N** is designed to scale analogue video signals from a CV or SV source to a digital HDMI output, boasting a wide-range of HDTV and PC resolutions.

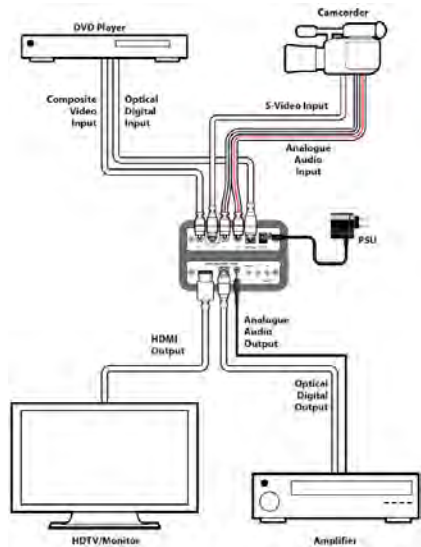
Audio is combined with HDMI video output. This unit offers a selection of colour space and adjustments to obtain the best picture quality.

Features:

- v1.2 HDMI, HDCP 1.1 and DVI 1.0 compliant
- Analogue to HDMI Converter Scaler with Audio
- Video Support: Input - PAL and NTSC. Output resolution supported: PC - VGA, SVGA, XGA, SXGA, UXGA, WXGA, WSXGA, WUXGA. SD/HD - 480i, 576i, 480p, 576p, 720p, 1080i and 1080p
- Audio Support: Analogue Stereo, Digital stereo PCM and DTS. Simply select from the audio input source, this is then outputted to HDMI, Optical (Toslink) and mini-jack (stereo only) simultaneously
- A comprehensive OSD menu provides picture adjustment on contrast, brightness, hue, saturation, sharpness, RGB (colour tone) level and aspect ratio size

Specifications:

Model	SY-P295N
Inputs	1x RCA (1x Composite) 1x S-video plug (1x S-video) 2x RCA (1x Analogue Stereo (L/R)) 1x Toslink (1x Optical DTS / Dolby Digital / 2 Channel LPCM)
Outputs	1x HDMI (1x HDMI Uncompressed AV & Data) 1x Toslink (1x Optical DTS / Dolby Digital / 2 Channel LPCM) 1x 3.5mm Stereo mini-jack (1x Analogue Stereo(L/R))
Power	5v/2.6A
Dimensions	102(W) x 25(H) x 187(D)mm





SY-398H

CV & SV to HDMI Converter with Audio Input



Component S-Video HDMI

The **SY-398H** Video to HDMI Converter can convert CV/SV (NTSC or PAL or SECAM) to HDMI resolutions of XGA to UXGA or HD resolutions of 480p to 1080p.

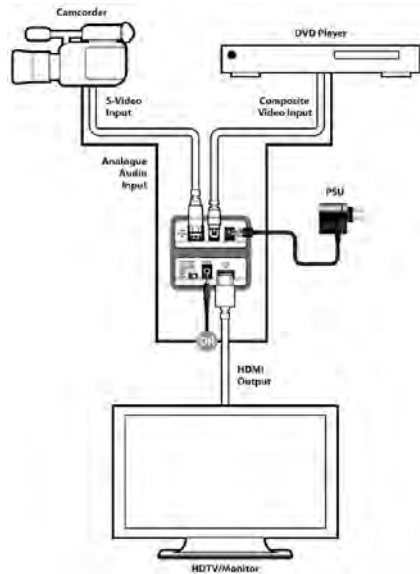
With a frame rate conversion feature that allows users to view DVD, VCR or video game sources on the HD monitor/TV, this device has an On-Screen Display function that allows users to easily select the output resolution and the audio input, after which both the video and audio signal are combined into an HDMI signal so they can be output to a compatible display.

Features:

- Operates in NTSC 3.58 and PAL and SECAM system
- Can scale CV/SV to HDMI format
- PC Output resolutions: XGA, SXGA, UXGA
- Component Output resolutions: 480p/576p, 720p@50 or 60, 1080p@50 or 60
- Automatic 2:2 and 3:2 film mode detection
- Play video games on your HD monitor/TV
- High-resolution output picture
- Plug and play- no drive software required
- Component resolution support 50 to 60 frame rate conversion only (not 60 to 50)
- PC resolution frame rate only supports 60Hz output

Specifications:

Model	SY-398H
Inputs	1x RCA (1x Composite) 1x S-video plug (1x S-video) 1x 3.5mm Stereo mini-jack (1x Analogue Stereo(L/R))
Outputs	1x HDMI (1x HDMI Uncompressed AV & Data)
Power	5v/1A
Dimensions	105(W) x 25(H) x 65(D)mm



SY-PT385A

PC/VGA to CV & SV (NTSC & PAL) Converter



VGA Component S-Video

The **SY-PT385A** is a PC to Video Scan Converter which is designed to convert a variety of PC analogue video signals from VGA to WUXGA.

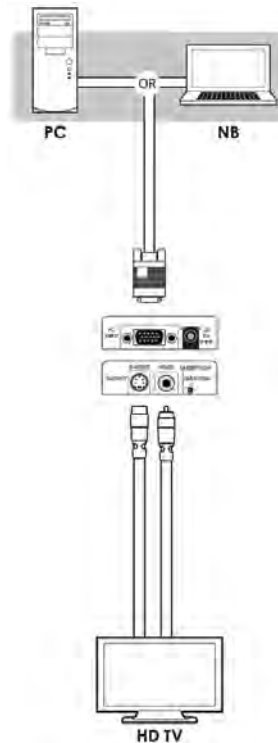
This device also converts between interlaced NTSC or PAL video and features a frame rate conversion function in addition to an Overscan/Underscan function that allows users to view PC source on a Composite or S-Video monitor without cropping the images.

Features:

- Automatically detects and converts incoming PC images to NTSC or PAL
- Supports high resolution PC inputs from VGA to WUXGA
- Downscapes PC video to Composite/S-Video
- Supports Image Overscan/Underscan
- Supports ADC conversion

Specifications:

Model	SY-PT385A
Inputs	1x 15pin Dsub (1x RGBHV)
Outputs	1x RCA (1x Composite) 1x S-video plug (1x S-video)
Power	5v/2.6A
Dimensions	60(W) x 20(H) x 110(D)mm

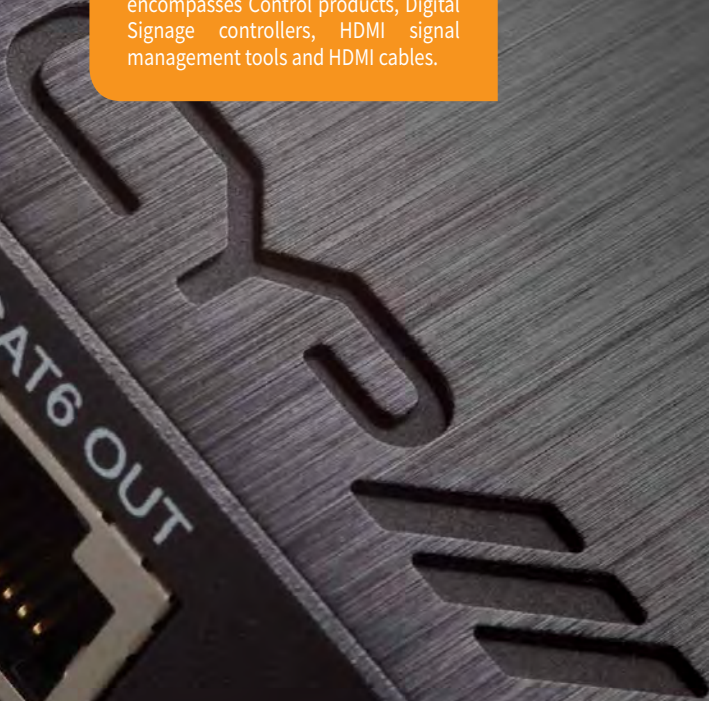


07. Other AV

Signal Management |
Test Equipment |
Control Keypads |
Video Walls | HDMI Cables

This range of CYP solutions encompasses Control products, Digital Signage controllers, HDMI signal management tools and HDMI cables.

CAT6 OUT



07



Other AV

RE-HDEQ

Passive HDMI to HDMI Equaliser



HDMI

The **RE-HDEQ** is a mini HDMI Equaliser enabling the user to extend their HDMI cable lengths up to 15 metres either side of the device. Resolution support up to 1080p 24fps makes this product a simple, yet very effective way of extending HDMI cable capabilities.

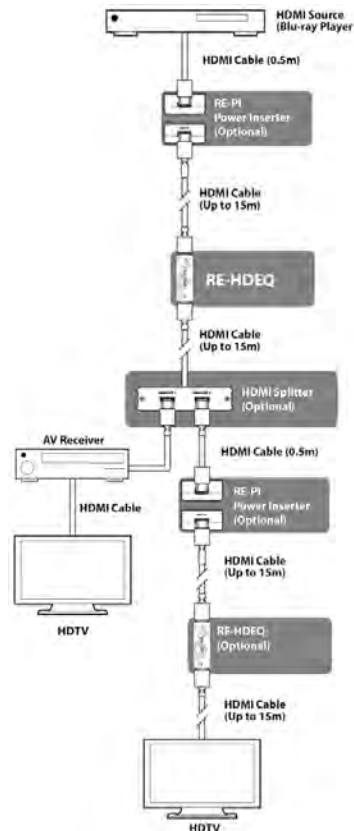
Please note that the RE-HDEQ requires power to be received via the HDMI source, so it is important to ensure that the HDMI source being used is capable of providing the standard 2W power supply via HDMI as is common on many HDMI sources. For sources which do not have power via HDMI, CYP recommend the use of the RE-PI Power Inserter product, designed to be used alongside the RE-HDEQ.

Features:

- Supports TMDS equalisation and CDR (Clock Rate Recovery) for extended HDMI cable range
- Input/Output Resolutions: Output resolution follows Input: PC: VGA (640x480) to WUXGA/RB (1920x1200); HDTV: 480i to 1080p + 1080p 24fps
- Requires HDMI source to output power via HDMI cable to power Enhancer (2W as standard)
- RE-HDEQ is capable of receiving and transmitting 2.25Gbps
- Supports HDMI cable distance of 15 metres either side of the device at full 1080p
- No PSU required

Specifications:

Model	RE-HDEQ
Inputs	1x HDMI (1x HDMI Uncompressed AV & Data)
Outputs	1x HDMI (1x HDMI Uncompressed AV & Data)
Dimensions	25(W) x 10(H) x 65(D)mm



RE-PI HDMI Power Inserter



The **RE-PI** Power Inserter is used to insert power into a HDMI signal path for self-powering compatible HDMI products. This device is the perfect partner to the RE-HDEQ HDMI Equaliser, for use when the HDMI source is not capable of sending power to the Equaliser.

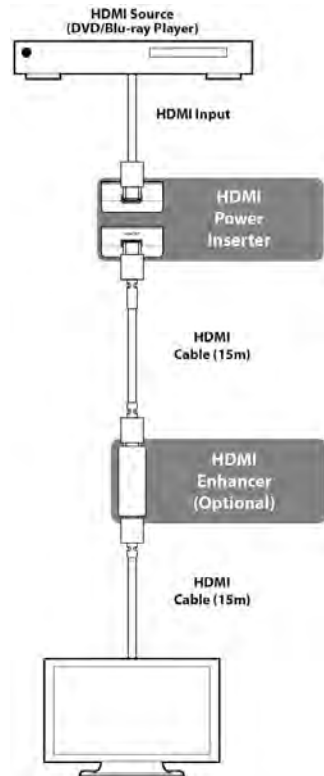
The RE-PI is capable of inserting up to 5v/2A into the HDMI signal path and the connected device may draw power up to this rating.

Features:

- Power insertion (up to 5v/2A)
- Provides extra power to HDMI output while disabling any power supplied from the HDMI input without interrupting the original HDMI signal
- Integrated over-current protection

Specifications:

Model	RE-PI
Inputs	1x HDMI (1x HDMI Uncompressed AV & Data)
Outputs	1x HDMI (1x HDMI Uncompressed AV & Data)
Power	5v/2.6A
Dimensions	47(W) x 25(H) x 47(D)mm





RE-EDID

HDMI EDID Manager



HDMI DVI

The **RE-EDID** is designed to allow the adjustment and manipulation of HDMI/DVI EDID information that is provided to a source device by a connected display so that it may output the correct video/audio signal.

Aiming to simplify the technical complications involved in video/audio system integration, home theatre installation and video/audio equipment testing, the unit features a learning function allowing the user to Read and Write the video/audio EDID to the system. It also supports EDID Emulation and Bypass modes.

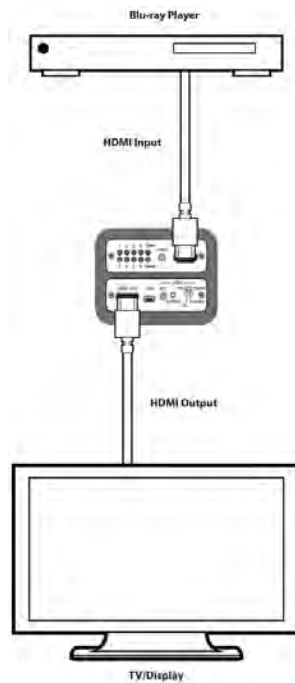
This device is perfect to overcome source and screen compatibility issues, particularly when integrating PCs into an AV system.

Features:

- HDMI 1.3 and DVI 1.0 compliant
- Supports resolutions up to and including 1080p@60Hz, 4K x 2K@24/30Hz and 1920x1200 60Hz (WUXGA)
- Supports up to 16-bit Deep Colour
- HD Audio Support: LPCM 7.1Ch, Dolby TrueHD, Dolby Digital Plus and DTS HD Master Audio
- Supports four different EDID modes: Read / Write / Emulate / Bypass modes
- Read Mode: Reads the TV/display's EDID information
- Write Mode: Overwrites the TV/display's EDID information (TV/display needs to be able to support overwrite function)
- 8 unique sets of EDID settings may be stored via the learning procedure
- Emulator Mode: Allows the source device to read the selected EDID information from the unit's default or learnt EDID memory
- Bypass Mode: Allows the source device to read the EDID information from the TV/display directly

Specifications:

Model	RE-EDID
Power	USB powered
Dimensions	70(W) x 22(H) x 80(D)mm



XA-HDCP

HDCP & Colour Bandwidth Converter



HDMI 4K UHD HDCP2.2

The **XA-HDCP** is designed to enable installers to manage HDCP (High-Bandwidth Definition Content Protection) signals. This device converts HDCP2.2 signals to a lower HDCP format enabling AV content to be easily integrated into a system which uses non-HDCP2.2 compliant devices, thus eliminating the need to upgrade all devices in the signal path to be HDCP2.2 compliant.

In addition to converting HDCP signals, the XA-HDCP can also analyse the content bandwidth, HDCP, EDID and Colourspace status of the inputted signal. Further features include the ability to upload EDID settings to a PC application which allows the user to create alternative EDID settings for specific applications.

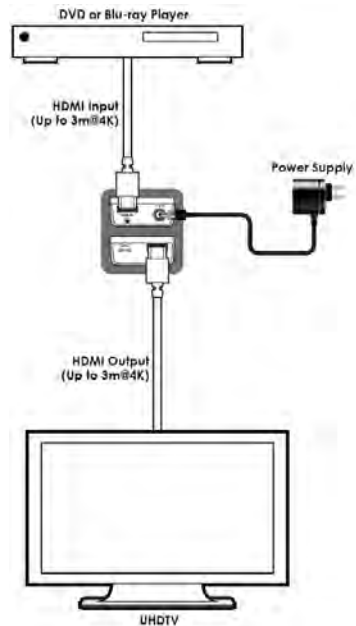
In addition, the XA-HDCP also acts as a HDMI repeater which equalises and recovers TMDS data before re-transmitting, thus ensuring optimal quality regardless of the incoming signal. This equalisation and repeater function enables the HDMI cable distance to be extended 5 metres from the output at full 4K (6G) resolution.

Features:

- Built-in HDMI Repeater
- HDMI 2.0, HDCP2.2, HDCP1.4 and DVI compliant
- Supports input source and output display signal analysis up to 6G 4K2K
- Supports bandwidth down converting from 6G to 3G
- Supports EDID signal management from internal, external and user's EDID to be inserted
- Supports application control via USB

Specifications:

Model	XA-HDCP
Inputs	1x HDMI (1x HDMI 2.0 Uncompressed AV & Data) 1x USB Mini B (1x Service Port - Proprietary Data)
Outputs	1x HDMI (1x HDMI 2.0 Uncompressed AV & Data)
Power	5v/2.6A
Dimensions	51(W) x 22(H) x 98(D)mm





XA-HSP

HDMI Surge Protection Tool



HDMI 4KUHD HDCP2.2

Designed to help protect your HDMI devices, the **XA-HSP** is a crucial tool when installing HDMI systems in locations where there can be power fluctuations caused by unstable mains power or where the site is susceptible to earthing problems or lightning strikes.

As a completely passive device, there is no need for a PSU to be connected and thus simply connecting the XA-HSP in-line on the HDMI signal path will protect all HDMI equipment from voltage surges.

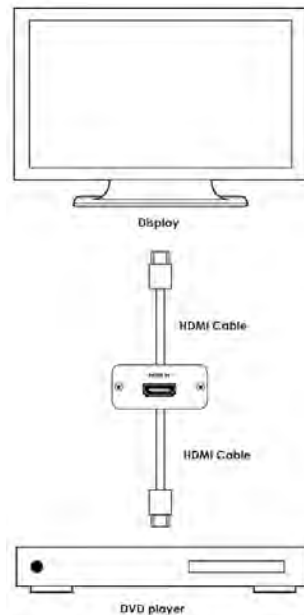
This device is HDCP2.2 compliant and will support 4K/UHD resolutions including HDR.

Features:

- HDCP1.4 and HDCP2.2 compliant
- Supports HDTV resolutions up to 4Kx2K (3840x2160@24/25/30/ 50/60 YUV_420 and 4096x2160@24/25 YUV_420)
- Supports bypass of high resolution digital audio formats including LPCM 7.1Ch, Dolby TrueHD, Dolby Digital Plus and DTS-HD Master Audio
- Sink +5v protection
- HDMI cable lengths of up to 5 metres either side of the device is supported
- Supports CEC bypass
- Passive device (no PSU required)

Specifications:

Model	XA-HSP
Inputs	1x HDMI (1x HDMI Uncompressed AV & Data)
Outputs	1x HDMI (1x HDMI Uncompressed AV & Data)
Power	5v/2.6A
Dimensions	52(W) x 23(H) x 50(D)mm



XA-4

Advanced HDMI Pattern Generator & Analyser



The **XA-4** Advanced HDMI Pattern Generator and Analyser is an invaluable integrator's tool for producing 4K HDMI signals for verifying and testing wider AV installations.

This device has 54 resolutions settings, 47 test patterns and 6 analysis tests which provide over a thousand different combinations of test scenarios. It supports HDMI data packets, EDID and HDCP analysis, EDID emulation and allows the user to save 2 custom patterns, along with the ability to generate audio up to 8 channels.

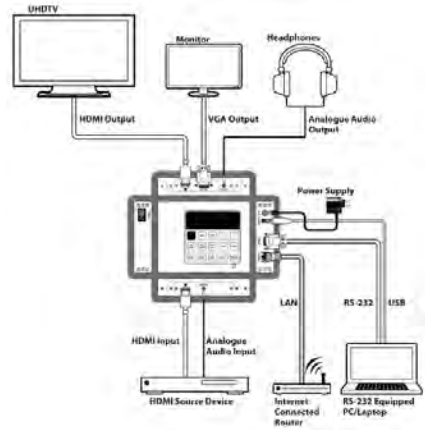
Front panel keys allow fast switching between the various functions and the device's onboard LED screen allows for quick viewing of current status information.

Features:

- HDMI (with 6G audio/video support), HDCP2.2 and DVI compliant
- Supports analysis of the source and the display up to HDMI 6G signals
- Supports analysis of HDMI data packets
- Supports analysis and control of HDCP v1.4 and v2.2
- Supports analysis and emulation of EDID data, including SCDC (Status and Control Data Channel)
- Supports extra 2 custom pattern sizes - 640x480, 1920x1080 with RGB 24 bits to be inserted
- Supports external stereo audio input and output

Specifications:

Model	XA-4
Inputs	1x HDMI (1x HDMI Uncompressed AV & Data) 1x 3.5mm Stereo mini-jack (1x Analogue Stereo(L/R)) 1x RJ45 (1x IP Control) 1x 9pin Dsub (1x RS-232 Data) 1x USB Type A (1x Service Port Propriety Data)
Outputs	1x HDMI (1x HDMI Uncompressed AV & Data) 1x 3.5mm Stereo mini-jack (1x Analogue Stereo(L/R))
Power	5v/2.6A
Dimensions	120(W) x 30(H) x 166(D)mm





XA-3P

HDMI Pattern Generator, Analyser & Cable Tester



HDMI 4K UHD 18Gbps HDCP2.2

The **XA-3P** is the perfect installation partner for an AV installer, providing a convenient way to test and verify all aspects of an HDMI signal path, including the source and the sink. As well as being HDMI 2.0a, HDCP 1.4 and 2.2 compliant, the unit has a number of testing features including System Analyzing, Cable Testing, Pattern Generator and EDID Management. The XA-3P also has scaling functionality enabling the user to down-scale a 4K UHD Source to 1080p in Analyzer Mode.

A key feature of the XA-3P is the Cable Testing mode. In this mode the user can test the integrity of an HDMI cable, this is especially useful when trying to determine if a cable is capable of passing data rates of up to 18Gbps. The test results can be displayed on the LCD display or a connected display.

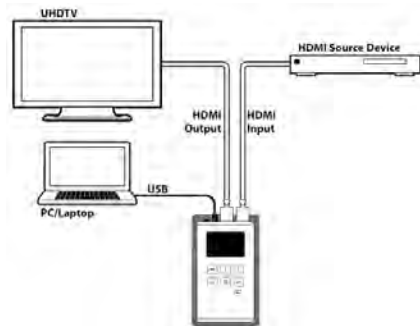
The XA-3P is battery-operated giving the AV installer ultimate flexibility in challenging installation scenarios. The battery can be recharged via it's USB connector or mains powered through the same port.

Features:

- HDMI I/O with 18Gbps (6G) 4K UHD Support
- HDCP v1.4 and v2.2 compliant
- Supports HD resolutions up to 3840x2160@60Hz (YUV 4:4:4, 8-bit) and 4096x2160@60Hz (YUV 4:4:4, 8-bit)
- Supports video pass through
- Built-in Down-Scaler 4K to 1080p
- SCDC Input/Output monitor
- HDMI Packet data analysis
- 23 selectable output resolutions available in Test Pattern mode
- 11 selectable output patterns available in Test Pattern mode
- HDMI 2.0 Cable Test option with support for 5v and Hot-Plug detection
- Supports generation of sinewave audio up to LPCM 8Ch and analysis of the source audio signal
- EDID Management support with 10 preset default EDID's and 10 user EDID slots from connected sinks
- Battery operated or USB powered
- LED display with real time data feedback and current status information
- Supports USB firmware update

Specifications:

Model	XA-3P
Inputs	1x HDMI (1x HDMI Uncompressed AV & Data) 1x USB Mini B (1x USB Power)
Outputs	1x HDMI (1x HDMI Uncompressed AV & Data)
Power	USB powered, Battery Powered
Dimensions	79(W) x 27(H) x 123(D)mm



XA-2 HDMI Pattern Generator



HDMI 4K UHD 18Gbps HDCP2.2

The **XA-2** is an advanced, yet compact and convenient Pattern Generator for testing and troubleshooting HDMI devices.

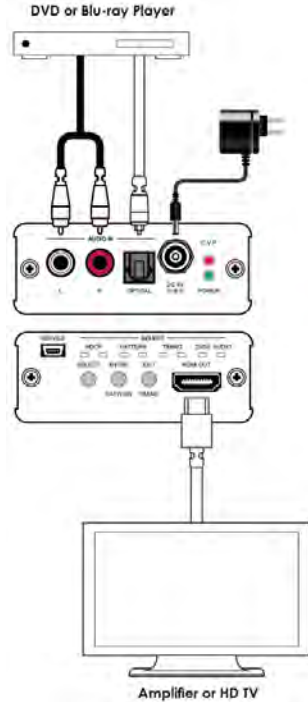
There are 6 resolution settings covering 4K Ultra HD and Full HD resolutions, 4 test patterns, HDCP (1.4, 2.2 and non-HDCP) and 3 audio settings each providing a large array of test signals. With simple to use control via buttons on the front panel and LED indicators for quick viewing of the current status, this pattern generator is a must-have tool for any professional AV integrator.

Features:

- HDMI 2.0, HDCP2.2 and DVI compliant
- Generates HDMI resolutions up to 6Gbps 4K2K@60Hz
- Generates HDCP v1.4, HDCP v2.2 and non-HDCP signals
- Resolutions supported: 720p@60, 1080p@60 & 4K@30/60
- Supports external analog stereo and optical digital audio inputs
- Video bandwidth support: 18Gbps

Specifications:

Model	XA-2
Inputs	2x RCA (1x Analogue audio Stereo (L/R)) 1x Toslink (1x Optical 2 Channel LPCM) 1x USB Mini B (1x Service Port - Proprietary Data)
Outputs	1x HDMI (1x HDMI 2.0 Uncompressed AV & Data)
Power	5v/2.6A
Dimensions	87(W) x 30(H) x 78(D)mm





CR-KP1

15 Button Wall-mount Control Keypad



The **CR-KP1** is a wall-mount Keypad Control System and is suitable for a wide range of AV install applications such as conference/meeting rooms, classrooms and home cinemas allowing commands for multiple devices such as the EL-5500 to be programmed into one easy-to-use device.

The CR-KP1 supports PoE (Power-over-Ethernet) or a DC power supply and allows full control of any devices that are on the same local network and support IP Telnet control. Additionally the CR-KP1 also incorporates two contact-closure connections allowing control of third-party devices such as powered projector screens.

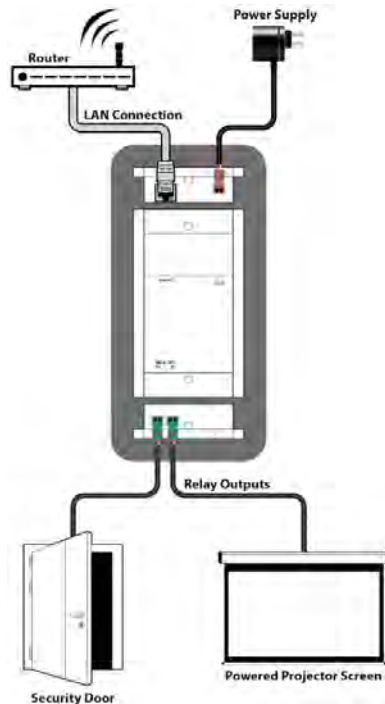
This controller includes a scheduling function allowing macros to be implemented at a pre-selected time and date, for example turning all the equipment off at the end of the day. All the features of the CR-KP1 can be programmed using the Web GUI which can be accessed by simply searching the IP address in your internet browser.

Features:

- Adjustable brightness and colour settings for the keypad buttons
- Each keypad button can be assigned one command or macro
- Up to 16 commands can be stored in each macro
- A further 15 macros can be stored within the software application and can be called upon within the commands of the macros assigned to the keypad buttons
- Scheduling function allows macro commands to be implemented at a pre-selected time
- Web GUI for programming
- 2x volt-free contact closure relay outputs
- Supports PoE (Power-over-Ethernet)

Specifications:

Model	CR-KP1
Inputs	1x RJ45 (1x supports PoE LAN Servng)
Outputs	2x Phoenix (2 pin) (2x Contact Closure Relay Outputs)
Power	5v/2.6A, PoE
Dimensions	148(W) x 30(H) x 87(D)mm



CR-KP2

9 Button Wall-mount Control Keypad



The **CR-KP2** is a wall-mount Keypad Control System and is suitable for a wide range of AV install applications such as conference/meeting rooms, classrooms and home cinemas allowing commands for multiple devices such as the EL-5500 to be programmed into one easy to use device.

The CR-KP2 supports PoE (Power-over-Ethernet) or a DC power supply and allows full control of any devices that are on the same local network and support IP Telnet control, additionally the CR-KP2 also incorporates a contact-closure connection allowing control of third-party devices such as powered projector screens.

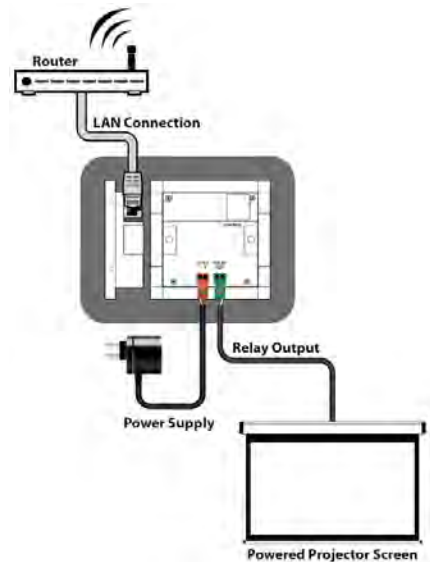
This Controller includes a scheduling function allowing macros to be implemented at a pre-selected time and date, for example turning all the equipment off at the end of the day. All the features of the CR-KP2 can be programmed using the Web GUI which can be accessed by simply searching the IP address in your internet browser.

Features:

- Adjustable brightness and colour settings for the keypad buttons
- Each keypad button can be assigned one command or macro
- Up to 16 commands can be stored in each macro
- A further 15 macros can be stored within the software application and can be called upon within the commands of the macros assigned to the keypad buttons
- Scheduling function allows macro commands to be implemented at a pre-selected time
- Web GUI for programming
- 1x volt-free contact closure relay output
- Supports PoE (Power-over-Ethernet)

Specifications:

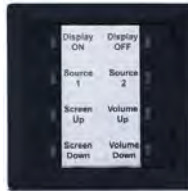
Model	CR-KP2
Inputs	1x RJ45 (1x (supports PoE) LAN Serving)
Outputs	1x Phoenix (2 pin) (1x Contact Closure Relay Outputs)
Power	5v/2.6A, PoE
Dimensions	87(W) x 31(H) x 87(D)mm





CR-TG1

8 Button Wall-mount Control Keypad



The **CR-TG1** Control Keypad is designed to be a simple and effective alternative for more complex control systems. This keypad features a set of 8 buttons which directly activate 8 trigger outputs which can be attached to any compatible control system.

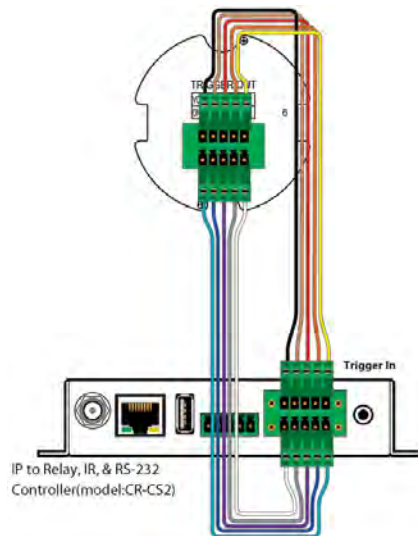
The keypad's connection cable allows the installer to extend system control to locations that are more convenient for the user, such as meeting room tables, lecterns, podiums, etc.

Features:

- 8 buttons linked directly to 8 triggers which are capable of instantly activating macros or functions on a connected control device
- Provides extended control of compatible control devices
- Allows for easy control of macros (on compatible control systems) which can activate complex multi-step events with a single button press
- No external power supply required
- Keypad can be customised to indicate control options

Specifications:

Model	CR-TG1
Outputs	1x Phoenix (10 pin) (1x Trigger Out (8))
Dimensions	70(W) x 33(H) x 70(D)mm



CR-KP3

Wall-mount 6 Button Control Keypad



IP Control PoE

The **CR-KP3** Wallplate Control Keypad is a versatile and useful device for both system integrators and smart home users alike.

These keypads can send commands to any Ethernet-controlled device in your system. With 6 direct macro buttons (plus an additional 6 macros within the WebGUI control) which allows up to 16 commands to be executed within one-button press and a total of up to 128 commands capacity within the unit, this keypad can activate a set of command scenarios in a seconds.

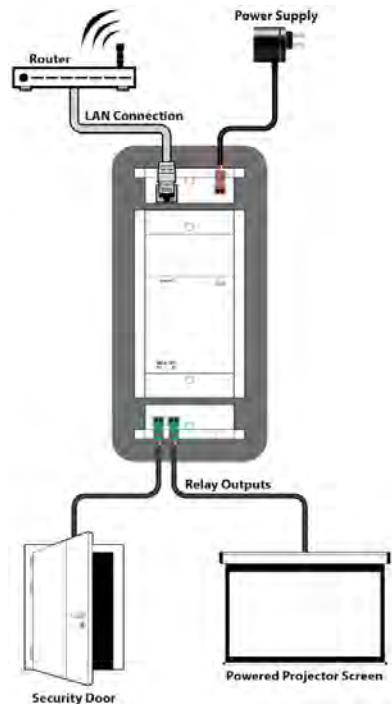
The soft and colourful LED buttons are suitable for all environments and PoE (Power-over-Ethernet) support allows for creative placement of the keypad within your space without concern for location near to a power source. Additionally, the integrated clock and calendar-based scheduling feature allows you to trigger macros to control devices within your installation at a specific time or on a recurring schedule.

Features:

- 6 direct macro keys for controlling user equipment
- Up to 128 total commands can be stored and used across all macros in the system (up to 16 per macro)
- Supports relay triggers to control compatible devices
- Supports time and date macro scheduling (single and recurring)
- Supports one month of backup power for the internal clock and schedule function to protect against power blackouts and temporary power loss
- Supports customizable daylight savings time for scheduling
- Supports Keypad, Telnet and WebGUI control
- Supports PoE or DC power supply

Specifications:

Model	CR-KP3
Inputs	1x RJ45 (1x supports PoE) LAN Servicing)
Outputs	1x Phoenix (2 pin) (1x Contact Closure Relay Outputs)
Power	5V/2.6A, PoE
Dimensions	88(W) x 37(H) x 88(D)mm





CR-CS2

IP to Relay, IR & RS-232 Controller



IP Control PoE

The **CR-CS2** is a simple IP Control System for a wide variety of connected devices. It has 16 user-defined macro events stored within the unit activated via the WebGUI or by telnet, eight of which can also be activated by the external trigger connections.

User-defined macros can send commands to remote devices via Ethernet, IR (x4), relay trigger (x4) or RS-232/422/485 (x1) allowing for the control of a wide array of devices at the push of a button. An integrated IR code learning function is also available, allowing the user to store and re-transmit the IR codes sent by nearly any standard IR remote.

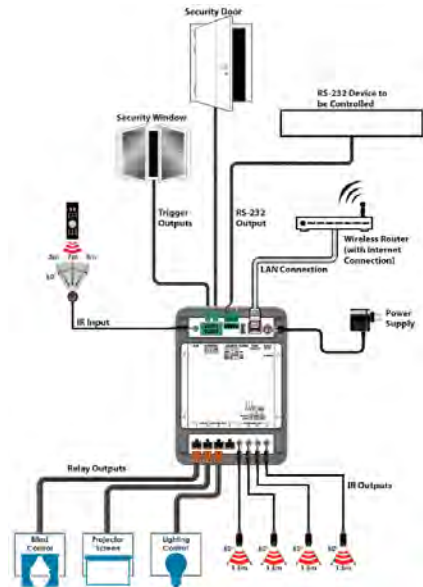
Comprehensive user control interfaces are available including WebGUI, telnet and console (RS-232 in). The CR-CS2 supports Power-over-Ethernet (PoE) allowing it to be powered directly from a standard PoE network switch.

Features:

- 16 user defined macro events stored within the device
- 8 trigger inputs linked directly to 8 user macros allowing for instant control activation
- 4 relay trigger outputs to control devices such as projector screens, lighting, blinds etc
- 4 IR outputs to control devices such as sources and displays
- Integrated IR code learning feature
- Multiple control interfaces including WebGUI, telnet and RS-232
- Simple configuration of macros, triggers and relay settings via the WebGUI
- PoE (Power-over-Ethernet) support - no PSU required

Specifications:

Model	CR-CS2
Inputs	1x RJ45 (1x PoE) IP Control 1x USB Type A (1x Service Port Proprietary Data) 1x Phoenix (5 pin) (1x RS-232/422/485 Com Port) 1x Phoenix (10 pin) (1x Trigger In (8)) 1x 3.5mm Stereo mini-jack (1x IR capture - IR Receiver)
Outputs	4x Phoenix (2 pin) (4x Contact Closure Relay Outputs) 4x 3.5mm Stereo mini-jack (4x IR Emitter)
Power	5w/2.6A, PoE
Dimensions	118(W) x 25(H) x 128(D)mm





HDMI

The **DS-VWC** HDMI Video Wall Rotation Processor is capable of scaling and rotating the input source to nearly any angle and size desired. It is the ideal solution for presenting sources across custom video display arrangements often found in commercial retail displays, control rooms or classrooms.

HDMI input and output resolutions up to 1080p@60Hz with LPCM audio up to 7.1 channels at 192kHz are supported. In Rotation Mode the output is locked to 1080p, but video latency is only 1 to 2 frames and the unit is capable of scaling and rotating the source, with an accuracy of 1° as required. In Scaler Mode, the unit can scale to a selection of output resolutions, up to 1080p@60Hz as well as apply video mirror, flip and freeze effects to the output.

By combining multiple units with an HDMI distribution amplifier or matrix it is possible to create varied formats of rotated displays for large video wall applications. This is perfect for creating distinct and eye-catching advertising or promotional displays limited only by your imagination.

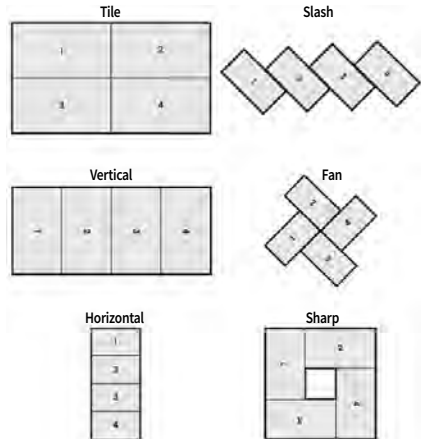
Features:

- HDMI 1.3 and HDCP 1.4 compliant
- 1x HDMI input and 1x HDMI output
- Input and output supports HD resolutions up to 1080p@60Hz
- Supports pass-through of audio formats including LPCM 2.0/5.1/7.1, Bitstream and HD Bitstream
- Only 1 to 2 frames of video latency
- Supports horizontal/vertical video warping with zooming in/out and 360 degree display rotation in 1° increments (Rotation Mode)
- Video mirror, flip and freeze (Scaler Mode)
- Wide variety of video adjustments, including: contrast, brightness, hue, sharpness, aspect ratio
- Custom EDID management
- Front panel controls with OSD, Telnet, RS-232 and Video Wall PC Software control

Specifications:

Model	DS-VWC
Inputs	1x HDMI (1x HDMI Uncompressed AV & Data) 1x 9pin Dsub (1x RS-232 Data) 1x RJ45 (1x IP Control)
Outputs	1x HDMI (1x HDMI Uncompressed AV & Data)
Power	5v/2.6A
Dimensions	231(W) x 25(H) x 117(D)mm

Available Pre-defined Layouts:





DS-MSC14-4K

Cascadable 1 to 4 Multi-screen Controller (4K UHD)



HDMI 4K UHD

The **DS-MSC14-4K** enables a 4K video wall to be created from any third party screens; the HDMI source can be displayed as a single image on each screen or one image across all screens. A single unit will create a 2x2 video wall. Multiple units can be combined with an HDMI distribution amp to create larger video wall configurations.

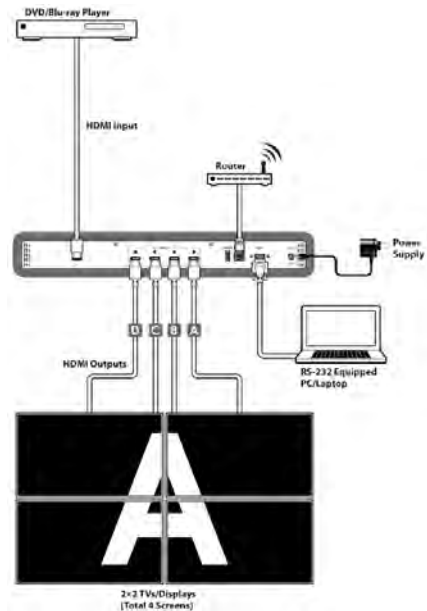
Control is via RS-232, Telnet IP and CYP's downloadable app which will allow full control of the DS-MSC14-4K, from adjusting the bezel correction to pre-set video wall layouts.

Features:

- Adjustable Bezel correction
- A number of DS-MSC14-4K Units can be combined together using a HDMI splitter allowing the creation of larger video walls
- Video wall configurations can be pre-loaded into the control application allowing simple switching between the video wall layouts
- One-button push control allows one command to be executed to all connected devices e.g instructing all the screens to show one image
- Can be controlled via RS-232, Telnet IP control or control software
- Audio supported LPCM 2Ch, 6Ch, 8Ch/AC3/DTS/Dolby Digital Plus/ Dolby TruHD and DTS-HD
- HDMI, HDCP 1.4 and DVI compliant

Specifications:

Model	DS-MSC14-4K
Inputs	1x HDMI (1x Uncompressed AV & Data) 1x 9pin Dsub (1x RS-232 Data) 1x RJ45 (1x IP Control) 1x USB Mini B (1x Service Port Propriety Data)
Outputs	4x HDMI (4x Uncompressed AV & Data)
Power	12v/3A
Dimensions	482(W) x 52(H) x 274(D)mm



DS-MSC14

Cascadable 1 to 4 Multi-screen Controller



HDMI

The **DS-MSC14** 1 to 4 HDMI TV Wall Controller allows an HDMI input source to be displayed, in full screen or single mode, on up to 4 HDMI displays. Multiple units can be cascaded to extend the HDMI signal up to as many displays as needed.

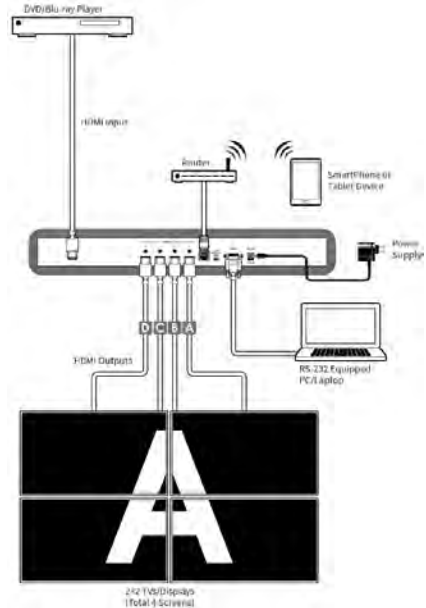
The unit features bezel correction function. A simple control application enables users to control single or multiple units. The device supports video timings up to WUXGA@60RB and 1080p@60Hz, audio format up to 7.1Ch LPCM at 192kHz sampling rate based on input source EDID. Control can be achieved via the CYP app (compatible with Microsoft Windows XP and 7 only), Telnet and RS-232.

Features:

- HDMI, HDCP1.4 and DVI compliant
- Output source signal to 4 displays (2 x 2 Video wall) as a full screen or single image with adjustable Bezel Correction
- Cascade the HDMI signal up to as many as required
- Software application allows one-button push to control all connected screens
- Supports RS232 and Telnet controls
- Input resolutions support VGA-WUXGA and 480i-1080p
- Output resolutions support 720p-1080p
- Supports different input resolution and output resolution selectable from OSD menu. The factory default output resolution is native to the connected screen
- Audio supports LPCM 2Ch, 6Ch, 8Ch/AC3/DTS/Dolby Digital Plus/ Dolby TruHD and DTS-HD

Specifications:

Model	DS-MSC14
Inputs	1x HDMI (1x HDMI Uncompressed AV & Data) 1x 9pin Dsub (1x RS-232 Data) 1x RJ45 (1x IP Control) 1x USB Mini B (1x Service Port Proprietary Data)
Outputs	4x HDMI (4x HDMI Uncompressed AV & Data)
Power	12V/3A
Dimensions	436(W) x 49(H) x 256(D)mm





DS-MSC

Individual Screen Controller



HDMI VGA

The **DS-MSC** is designed to manage audio and video signals to emulate a video wall when using third-party screens. This controller will control the digital signage content for each screen on a video wall system using up to 25 screens. One controller is required per screen.

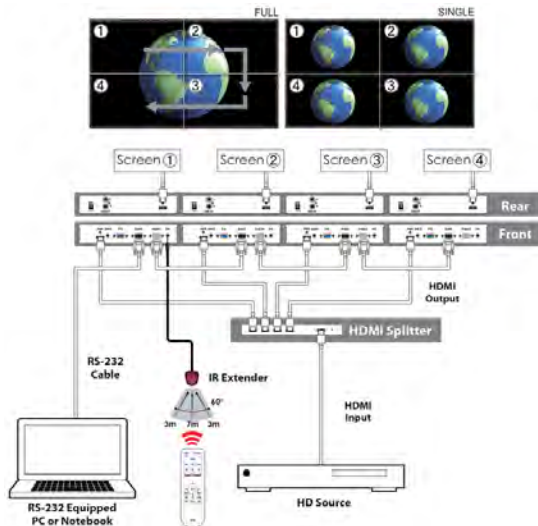
If the user has only one HDMI or VGA source, then an appropriate Distribution Amplifier (Splitter) will be required to split the source signal to each of the Multi-Screen Controllers feeding the screens.

Features:

- HDMI, HDCP1.4 and DVI compliant
- Output source signal to 4 displays (2 x 2 Video wall) as a full screen or single image with adjustable Bezel Correction
- Cascade the HDMI signal up to as many as required
- Software application allows one-button push to control all connected screens
- Supports RS232
- Input resolutions support VGA-WUXGA and 480i-1080p
- Output resolutions support 720p-1080p
- Audio supports LPCM 2Ch, 6Ch, 8Ch/AC3/DTS/Dolby Digital Plus/ Dolby TruHD and DTS-HD

Specifications:

Model	DS-MSC
Inputs	1x HDMI (1x HDMI Uncompressed AV & Data) 1x 3.5mm Stereo mini-jack (1x Analogue Stereo(L/R)) 1x 15pin Dsub (1x RGBHV) 1x 9pin Dsub (1x RS-232 Data) 1x 3.5mm Stereo mini-jack (1x IR Receiver)
Outputs	1x HDMI (1x HDMI Uncompressed AV & Data) 2x RCA (1x Analogue Stereo (L/R)) 1x 9pin Dsub (1x RS-232 Data)
Power	5v/3A
Dimensions	250(W) x 50(H) x 150(D)mm



HDMP-XXXM Series

Certified Premium HDMI Cable UHD/HDR 18Gbps



HDMI 4K UHD 18Gbps HDCP2.2 Ethernet

The **CYP HDMP Series** are certified Premium HDMI Cables, fully supporting 18Gbps transmission, 4K UHD and HDR (High Dynamic Range) AV content.

Offering the ultimate in audio visual signal transmission performance, these new, fully-certified Premium HDMI cables feature insulated metal plugs and shielded cable, ideal for heard-wearing installations where reliability is essential.

CYP's Premium HDMI cables are compatible with the full range of HDMI specifications, including 4K UHD (2160p), Full HD (1080p) and deep colour/High Dynamic Range resolutions, Ethernet (HEC) and ARC (Audio Return Channel). Please see below for the full range and part numbers.

Part Numbers:

- **HDMP-050M:** 0.5m cable length
- **HDMP-100M:** 1m cable length
- **HDMP-200M:** 2m cable length
- **HDMP-300M:** 3m cable length
- **HDMP-500M:** 5m cable length
- **HDMP-600M:** 6m cable length
- **HDMP-900M:** 9m cable length

Features:

- Full 4K / UHD resolution support (2160p@60Hz 4:4:4)
- High quality insulated metal connectors with precision termination
- High Bandwidth (full 18Gbps/6G)
- High Frame Rate (600MHz)
- BT.2020 Colorimetry (10/12 bit / 4:4:4)
- ARC (Audio Return Channel) support
- CEC (Consumer Electronic Control) support
- 32 Channel Audio (Dolby Atmos and DTS:X) support
- HDCP2.2 compliant
- HDMI Ethernet channel

Specifications:

Model	HDMP Series
HDMI Cable Grade	Certified Premium HDMI Cable
Connectors	24K Gold Plated
Termination	Precision termination, all 19 pins
Shielding	Enhanced electrical shielding
Resolution Compatibility	4K UHD (2160P@60Hz 4:4:4)
Bandwidth	18Gbps
Frame Rate	600MHz
HDCP Compliance	HDCP2.2



08. Audio

Amplifiers | Audio-over-Cat Extenders | Switchers | Converters | Embedders/De-Embedders

CYP offer an unrivalled range of audio distribution solutions for professional installers. When it comes to the unique connectivity challenges faced within any installation, CYP offer real world 'get out of jail' solutions that optimise the audio performance within any AV environment.

Our comprehensive range includes amplifiers, audio format converters including Digital-to-Analogue Converters (DACs), signal splitters plus switchers, HDMI audio signal management and solutions for sending audio signals long distances via Cat cabling infrastructure.

HDMI

8x0

DBaseT Matrix

POWER





Audio

AU-A300-HBT

HDBaseT 2 x 30W Digital Amplifier & AV Receiver



HDBaseT 5Play HDMI 2x 30W Amplifier



The **AU-A300-HBT** is a compact 2 channel Digital Receiver/Audio Amplifier that is perfect for providing high quality audio distribution in remote AV zones within any multi-room installation.

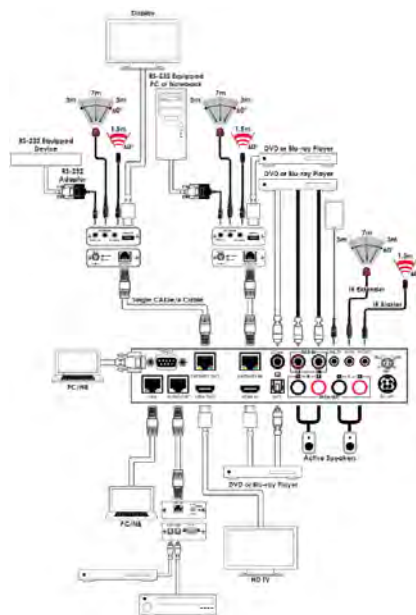
This advanced solution can integrate local HDMI and remote HDBaseT sources from a CYP matrix, local inputs (iPod and MP3 etc) via the stereo and digital inputs and even utilise the audio output from a TV, which is growing in popularity as a dedicated source within an AV system. The device also incorporates an HDBaseT output that can be used for creating additional HDBaseT zones or used to repeat the signal to further HDBaseT 2-Channel Digital AV Receivers.

Features:

- 30W per channel digital stereo Amplifier
- Integrated HDBaseT Input and Output
- Control via remote control, RS-232 or IP (Web GUI or Telnet)
- Simultaneous audio outputs
- HDMI Audio Embedding
- Supports Digital-to-Analogue (DAC) and Analogue-to-Digital (ADC) conversion
- Compact design for remote in-zone application
- Supports PoH (Power-over-HDBaseT) for connected compatible HDBaseT receivers

Specifications:

Model	AU-A300-HBT
Inputs	1x HDMI (1x HDMI Uncompressed AV & Data) 1x RJ45 (1x HDBaseT HDMI & Propriety Data) 1x RCA (1x Coaxial 2 Channel LPCM) 1x Toslink (1x Optical 2 Channel LPCM) 2x RCA (1x Analogue Stereo (L/R)) 1x 3.5mm Stereo mini-jack (1x Analogue Stereo (L/R)) 1x 3.5mm Stereo mini-jack (1x IR Receiver) 1x 9pin Dsub (1x RS-232 Data) 1x RJ45 (1x IP Control) 1x RJ45 (1x Keypad - reversed for future use - Propriety Data) 1x USB Type A (1x Service Port Propriety Data)
Outputs	4x Speaker Binding Posts (1x Speaker Level Stereo Output) 1x HDMI (1x HDMI Uncompressed AV & Data) 1x RJ45 (1x HDBaseT HDMI & Propriety Data)
Power	24v/3.75A
Dimensions	215(W) x 50(H) x 150(D)mm



AU-A300

2 x 30W Zone Amplifier & AV Receiver



HDMI 2x30W Amplifier

The **AU-A300** is a compact 2 channel Digital Audio Amplifier that is perfect for providing high quality audio distribution into remote AV zones within any multi-room installation.

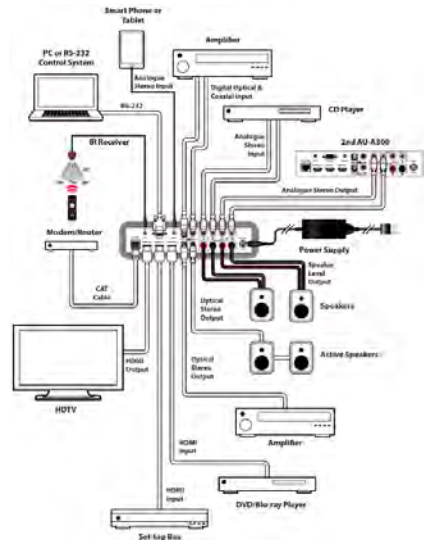
This advanced solution can integrate HDMI audio outputs from a CYP matrix, local inputs (iPod and MP3 etc) via the stereo and digital inputs and even utilise the audio output from a TV, which is growing in popularity as a dedicated source within an AV system.

Features:

- 30W per channel digital stereo Amplifier
- Inputs: 2 x HDMI, 1 x L/R Stereo audio, 1 x Optical, 1 x Digital Co-Ax, 1 x 3.5mm Stereo
- Outputs: 1 x HDMI, 1 x Optical, 1 x Digital Co-Ax, 1 x L/R Stereo (Line Level output), Speaker Terminals
- Control via remote control, RS-232 or IP (Web GUI or Telnet)
- Simultaneous audio outputs
- Dedicated Microphone input for commercial applications
- Supports Digital-to-Analogue (DAC) and Analogue-to-Digital (ADC) conversion

Specifications:

Model	AU-A300
Inputs	2x HDMI (2x HDMI Uncompressed AV & Data) 1x XLR (1x Microphone) 1x Toslink (1x Optical - 2 Channel LPCM) 1x RCA (1x Coaxial - 2 Channel LPCM) 2x RCA (1x Analogue - Stereo (L/R)) 1x 3.5mm Stereo mini-jack (1x Analogue - Stereo (L/R)) 1x RJ45 (1x IP Control) 1x 3.5mm Stereo mini-jack (1x IR Receiver) 1x 9pin Dsub (1x RS-232 Data)
Outputs	1x HDMI (1x HDMI Uncompressed AV & Data) 1x Toslink (1x Optical - 2 Channel LPCM) 1x RCA (1x Coaxial - 2 Channel LPCM) 2x RCA (1x Analogue - Stereo (L/R)) 4x Speaker Binding Posts (1x Speaker Level Stereo Output)
Power	24v/4.16A
Dimensions	255(W) x 48(H) x 170(D)mm



AU-A220

Mini Stereo Amplifier 2 x 20W with Optical & Line Inputs



2x20W Amplifier

The **AU-A220** is a compact 2 channel Digital Audio Amplifier, perfect for providing high quality audio distribution into various AV zones within any multi-room installation. This advanced solution can integrate digital and analogue audio signals from AV sources within the rack enclosure or receive an audio input from a compatible matrix to distribute the audio to a variety of zones. The small form factor of the amplifier makes it the ideal solution to be placed within a rack enclosure or behind a display in a local zone if required.

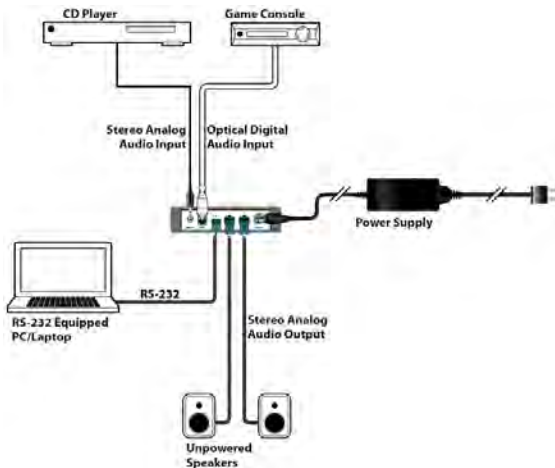
The AU-A220 is also compatible with the RAX-300 Series, offering installers increased flexibility when mounting multiple units in a rack enclosure. Up to 4 amplifiers can also be powered by a RAX-PSU-24v. Input selection and volume control is possible via the front panel buttons or RS-232 control.

Features:

- 20W per channel digital stereo amplifier
- Push button volume controls and input selection
- Single zone amplifier
- Digital volume indicator
- Compact design
- D Class digital amplifier
- RS-232 control
- Compatible with the RAX-300 Series

Specifications:

Model	AU-A220
Inputs	1x 3.5mm Stereo mini-jack (1x Analogue Stereo(L/R)) 1x Toslink (1x Optical 2 Channel LPCM) 1x Phoenix (3 pin) (1x RS-232)
Outputs	2x Phoenix (2 pin) (1x Speaker Level Stereo Output)
Power	24v/2.7A
Dimensions	111(W) x 25(H) x 128(D)mm



AU-A50

Integrated 2 x 30W Channel Zone Amplifier



2 x 30W Amplifier Audio-over-Cat

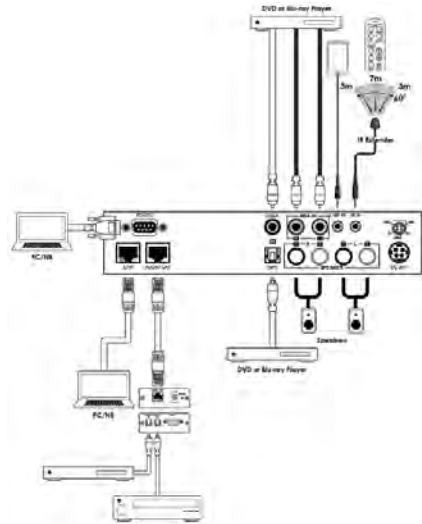
The **AU-A50** is a compact 2 channel Digital Zone Amplifier that is perfect for providing high quality audio distribution into remote AV zones within any multi-room installation. This advanced solution can integrate digital and analogue audio signals from multiple sources, including an audio output from a TV, enabling sound re-enforcement within any zone.

Features:

- 30W per channel digital stereo Amplifier
- Control via remote control, RS-232 or IP (Web GUI or Telnet)
- Single zone amplifier
- LCD Display
- Compact design for remote in-zone application
- Supports on-board audio-over-Cat inputs and outputs for transmission up to 150 metres

Specifications:

Model	AU-A50
Inputs	1x RCA (1x Coaxial 2 Channel LPCM) 1x Toslink (1x Optical 2 Channel LPCM) 2x RCA (1x Analogue Stereo (L/R)) 1x 3.5mm Stereo mini-jack (1x Analogue Stereo(L/R)) 1x RJ45 (1x IP Control) 1x RJ45 (1x Keypad - Reversed for future use - Proprietary Data) 1x 3.5mm Stereo mini-jack (1x IR Receiver) 1x USB Type A (1x Service Port Proprietary Data)
Outputs	4x Speaker Binding Posts (1x Speaker Level Stereo Output)
Power	24v/3.75A
Dimensions	215(W) x 50(H) x 150(D)mm



PU-304-KIT

Digital Audio-over-Cat Extender



Audio-over-Cat

The **PU-304-KIT** is designed to send/receive digital audio signals over 150 metres over Cat5e/6 cable infrastructure. This kit supports both Coaxial and Optical signals.

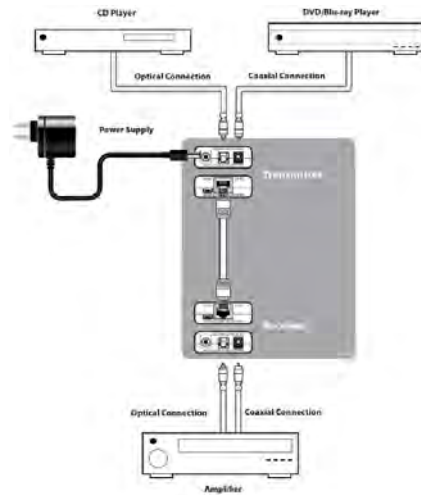
The PU-304-KIT can be powered using a USB cable or the supplied PSU adaptor for added flexibility in a compact design. Digital SPDIF signals are supported up to a sample rate of 96kHz and support for stereo and multichannel digital audio (LPCM, DTS, Dolby Digital, Dolby Digital Plus) is also provided.

Features:

- Supports Coaxial or Optical digital audio SPDIF signals
- Supports stereo and multichannel digital audio (LPCM, DTS, Dolby Digital, Dolby Digital Plus)
- Supports sample rate up to 96kHz
- Dual transmission 1 x Coaxial and 1 x Optical
- Signals can be extended over single Cat5e/Cat6 up to 150 metres

Specifications:

Model	PU-304TX	PU-304RX
Device	Transmitter	Receiver
Inputs	1x RCA (1x Coaxial 2 Channel LPCM / DTS / Dolby Digital / Dolby Digital Plus) 1x Toslink (1x Optical 2 Channel LPCM / DTS / Dolby Digital / Dolby Digital Plus)	1x RJ45 (1x Digital Audio Propriety Data)
Outputs	1x RJ45 (1x Digital Audio Propriety Data)	1x RCA (1x Coaxial 2 Channel LPCM / DTS / Dolby Digital / Dolby Digital Plus) 1x Toslink (1x Optical 2 Channel LPCM / DTS / Dolby Digital / Dolby Digital Plus)
Power		5v/1A USB
Dimensions	55(W) x 22(H) x 85(D) mm	



PU-305BD-TX | RX

Bi-Di Digital Audio-over-Cat Transmitter (Tx) | Receiver (Rx)



Audio-over-Cat

The **PU-305BD-TX Transmitter** | **PU-305BD-RX Receiver** are designed to send/receive digital audio signals up to 300 metres over Cat5e/6/7 cable infrastructure. These devices are bi-directional and support Digital Optical signals allowing transmission up to 300 metres at 96kHz sample rate or 100 metres at 192kHz sample rate. This extender set also supports RS-232 signals over the same Cat cable.

The PU-305BD Transmitter and Receiver can be powered at either end using the supplied PSU adaptor for added flexibility. Support for LPCM stereo and multichannel digital audio (LPCM, DTS, Dolby Digital, Dolby Digital Plus) is also provided.

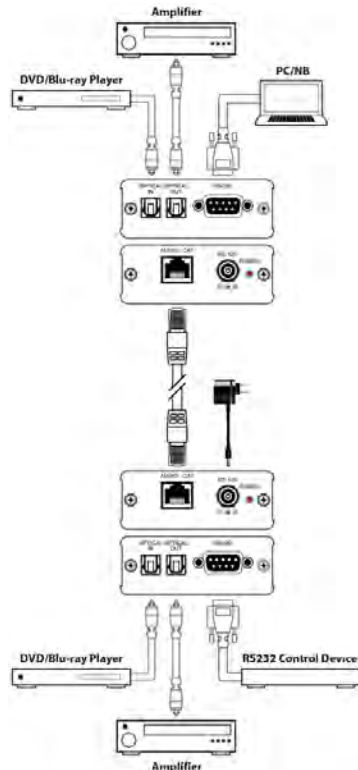
The PU-305BD kit is perfect for multi-room AV systems where the optical audio from a HDTV or amplifier can be routed back to a matrix for further distribution throughout a wider multi-room AV system.

Features:

- Supports Optical S/PDIF Input and Output, plus RS-232
- Supports up to 24bit 192kHz audio signals
- Supports 192kHz audio up to 100 metres and 96kHz or lower audio up to 300 metres
- Supports LPCM, DTS, Dolby Digital and Dolby Digital Plus signals
- Supports PoC (Power-over-Cable) via a single PSU which can be connected at either end of the extender set

Specifications:

Model	PU-305BD-TX	PU-305BD-RX
Device	Transmitter	Receiver
Inputs	1x Toslink (1x Optical Toslink DTS / Dolby Digital / 2 Channel LPCM / Dolby Digital Plus) 1x 9pin Dsub (1x RS-232 Data)	1x Toslink (1x Optical DTS / Dolby Digital / 2 Channel LPCM / Dolby Digital Plus)
Outputs	1x Toslink (1x Optical DTS / Dolby Digital / 2 Channel LPCM / Dolby Digital Plus) 1x RJ45 (1x Digital Audio Propriety Data)	1x Toslink (1x Optical DTS / Dolby Digital / 2 Channel LPCM / Dolby Digital Plus) 1x 9pin Dsub (1x RS-232 Data)
Power	12v/1.25A, Bi-directional PoC	
Dimensions	75(W) x 25(H) x 80(D) mm	





PU-305BDA-TX | RX

300m

Bi-Di Analogue Audio-over-Cat Transmitter (Tx) | Receiver (Rx)



Audio-over-Cat

The **PU-305BDA-TX Transmitter** | **PU-305CDA-RX Receiver** form an Analogue Stereo over Cat5e/6/7 Set which can send and receive analogue audio signals over a single run of Cat cable up to 300 metres. It has the added benefit of RS-232 pass-through allowing control of devices and the Power-over-Cable (PoC) function can power the receiver unit eliminating the need for a second power supply. As the units have bi-directional capabilities, these devices can also receive audio signals back from the connected receiver.

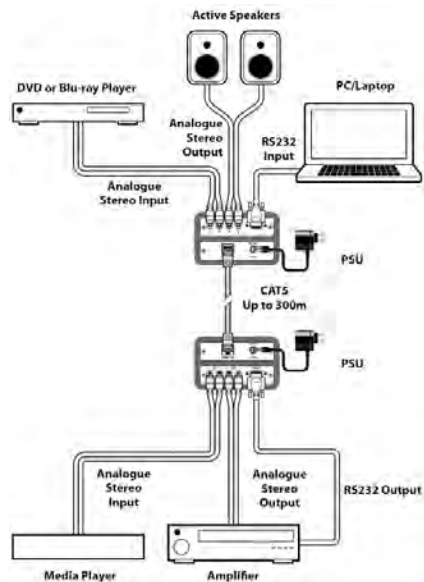
When both Transmitter and Receiver from the PU-305BDA Series are combined, the analogue audio signal will be converted and output as digital audio by the receivers' built-in digital-to-analogue converter (DAC).

Features:

- Supports bi-directional transmission (in/out) of analogue audio and RS-232 pass-through
- Supports Power-over-Cable (PoC) to the Receiver unit
- Bi-directional RS-232 control

Specifications:

Model	PU-305BDA-TX	PU-305BDA-RX
Device	Transmitter	Receiver
Inputs	2x RCA (1x Analogue Stereo L/R) 1x 9pin Dsub (1x RS-232 Data)	2x RCA (1x Analogue Stereo L/R) 1x RJ45 (1x Bi-directional Audio plus Propriety Data)
Outputs	2x RCA (1x Analogue Stereo L/R) 1x RJ45 (1x Bi-directional Audio plus Propriety Data)	2x RCA (1x Analogue Stereo L/R) 1x 9pin Dsub (1x RS-232 Data)
Power	12v/1.25A, Bi-directional PoC	
Dimensions	100(W) x 25(H) x 110(D) mm	



AU-D820S

8 to 20 Digital Audio Switchable Distribution Amplifier



The **AU-D820** allows the user to switch and distribute 4 digital coaxial inputs & 4 digital optical audio inputs to 10 digital coaxial & 10 digital optical outputs. Select any audio input for distribution of the audio signal to all outputs simultaneously. Incoming audio signals are converted to allow all optical and coaxial outputs to operate simultaneously.

Supporting sampling rates up to 192kHz and audio signal up to 5.1 channel, this device maximises audio distribution to multiple outputs. A typical application for this switching and distribution device is for use in retail environments such as a hi-fi store. It allows multiple audio source signals to be easily managed for demonstration of sources and amplifiers to a consumer, for example.

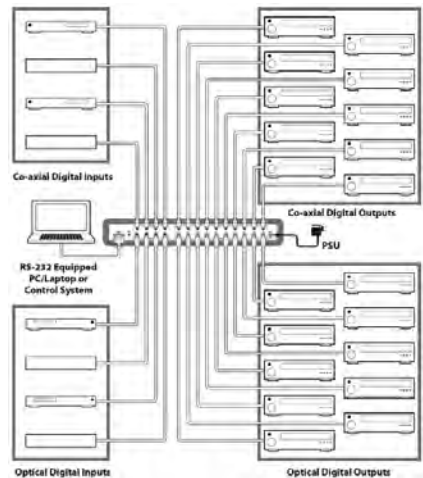
Control is via selection buttons on the device or via IR or RS-232.

Features:

- Supports 4x Coaxial + 4x Optical Inputs and 10x Coaxial + 10x Optical outputs
- Supports LPCM 2-Channel Audio signals
- Supports up to 192kHz Sampling Rate
- Supports Dolby and DTS audio bypass

Specifications:

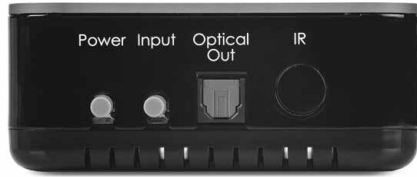
Model	AU-D820S
Inputs	4x RCA (4x Coaxial 2 Channel LPCM / Dolby Digital / DTS) 4x Toslink (4x Optical 2 Channel LPCM / Dolby Digital / DTS) 1x 3.5mm Stereo mini-jack (1x IR Receiver) 1x 9pin Dsub (1x RS-232 Data)
Outputs	10x RCA (10x Coaxial 2 Channel LPCM / Dolby Digital / DTS) 10x Toslink (10x Optical 2 Channel LPCM / Dolby Digital / DTS)
Power	5V/2.6A
Dimensions	438(W) x 45(H) x 130(D)mm





AU-D41

4-way Optical Audio Switcher



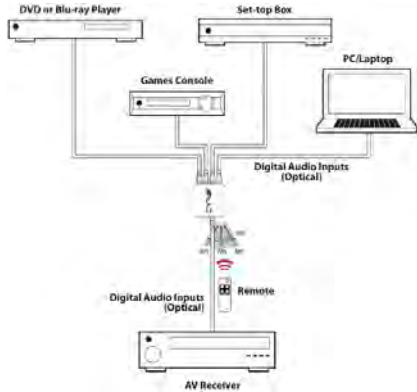
The **AU-D41** Optical Audio Switcher has four optical inputs and one optical output. This device allows users with up to four optical sources the ability to switch between sources whilst connected to one output display or amplifier. All signals are bypassed without delay. This device has 'last memory function' and an IR remote control for convenient use.

Features:

- 4-Way Digital Optical Audio Switcher
- Optical sampling rate supports up to 192kHz
- Up to 24bit resolution
- PCM2, AC3/5.1, Dolby 5.1 and DTS 5.1 pass through
- Compatible with cable lengths of 5 metres either side of the device
- Supplied with IR remote control

Specifications:

Model	AU-D41
Inputs	4x Toslink (4x Optical DTS / Dolby Digital / 2 Channel LPCM)
Outputs	1x Toslink (1x Optical DTS / Dolby Digital / 2 Channel LPCM)
Power	5v/1.2A
Dimensions	85(W) x 35(H) x 85(D)mm



AU-D21

2-way Digital Optical Audio Switcher



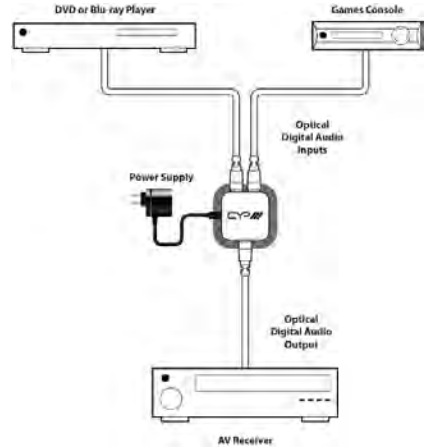
The **AU-D21** is an Optical (Toslink) Switcher. Select between two Optical (Toslink) sources to one Optical (Toslink) output and maintain a reliable and loss-less audio signal transmission.

Features:

- 2-Way Digital Optical Audio Switcher
- Supports S/PDIF standard of digital audio transmission
- Compatible with cable lengths of 5 metres either side of the device
- Accepts uncompressed 2-channel LPCM (Linear Pulse Code Modulation) and compressed 2-channel and multi-channel Dolby and DTS audio signal
- Electromagnetic noise-free transmission

Specifications:

Model	AU-D21
Inputs	2x Toslink (2x Optical DTS / Dolby Digital / 2 Channel LPCM)
Outputs	1x Toslink (1x Optical DTS / Dolby Digital / 2 Channel LPCM)
Power	5v/1.2A
Dimensions	45(W) x 25(H) x 45(D)mm





AU-D250-4K22

Advanced DAC with 4 In, 1 Out HDMI Switching



The **AU-D250-4K22** is designed to integrate and convert both analogue and digital audio signals into any AV system. This device has an in-built sample rate converter which can upscale audio signals between 44.1kHz to 192kHz (24-bit).

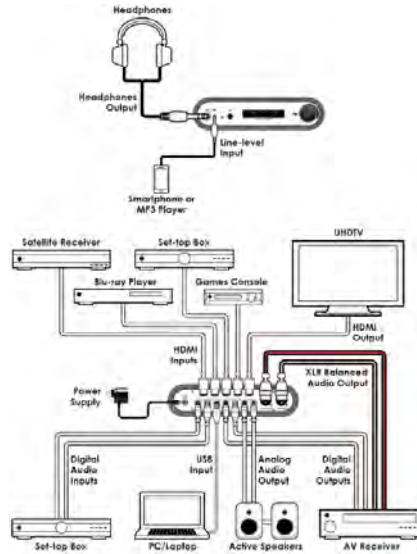
With 4K resolution support, HDMI2.0 and HDCP2.2 compliance, the AU-D250-4K22 also enables switching of up to 4 HDMI sources to a single HDMI output and allows the user to embed or de-embed audio within the HDMI signal path.

Features:

- HDMI2.0, HDCP2.2 and DVI compatible
- Audio format conversion
- Professional analogue signal handling and conversion between balanced and unbalanced output signals
- Easy integration of USB, HDMI, L/R Stereo, Digital Optical and Coaxial sources onto speakers or headphones (6.35mm Jack)
- HDMI bypass function including the ability to embed and de-embed audio
- Analogue-to-Digital conversion (ADC)
- Digital-to-Analogue conversion (DAC)
- Digital inputs can be SRC to 44.1, 48, 88.2, 96, 176.4, 192 and 384kHz via DSP Engine
- Supports Analogue L/R input/output, XLR and 6.3mm headphone outputs
- HDMI Audio output can either output the incoming embedded HDMI (Bypass Mode) or insert the selected audio signal (Ext Audio Mode)
- Supplied with IR remote control

Specifications:

Model	AU-D250-4K22
Inputs	1x 3.5mm Stereo mini-jack (1x Line in Stereo(L/R)) 4x HDMI (4x HDMI 2.0 Uncompressed AV & Data) 1x Toslink (1x Optical 2 Channel LPCM) 1x RCA (1x Coaxial 2 Channel LPCM) 1x USB Type B (1x USB (2.0) Audio)
Outputs	1x 3.5mm Stereo mini-jack (1x Headphone out Stereo(L/R)) 1x HDMI (1x HDMI 2.0 Uncompressed AV & Data) 1x RCA (1x Coaxial 2 Channel LPCM) 1x Toslink (1x Optical 2 Channel LPCM) 2x RCA (1x Analogue audio Stereo (L/R)) 2x XLR (1x Analogue Stereo (Balanced))
Power	5v/3A
Dimensions	154(W) x 48(H) x 223(D)mm



AU-1HARC

HDMI to Stereo Audio (2 Phono)



HDMI

The **AU-1HARC** is designed to extract the audio signal from any ARC (Audio Return Channel) -enabled HDTV and convert it to a line-level analogue stereo signal.

This device is perfect for use with HDTVs with no dedicated audio output, allowing the audio to be extracted from the ARC-enabled HDMI connection and sent to a non-HDMI equipped amplifier, AVR or active speakers.

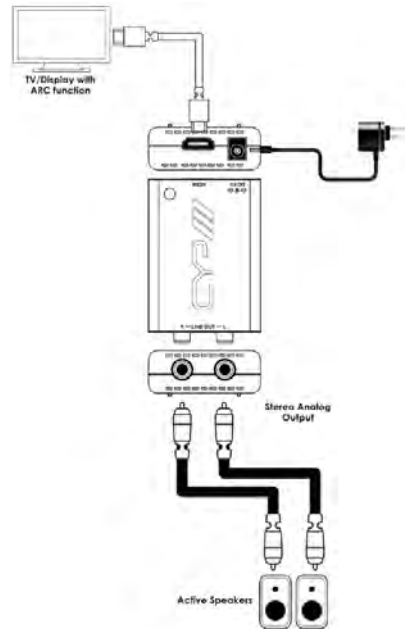
It supports HDMI audio sampling rates up to 192kHz and provides an analogue 2-channel stereo output using the integrated DAC (Digital-to-Analogue Converter).

Features:

- Compliant with HDMI v1.3, HDCP 1.2 and DVI 1.0
- Supports optical sample rate up to 96kHz
- Supports LPCM Stereo, DTS and Dolby Digital via Optical Input
- Supports up to 24bit resolution digital audio
- Supports resolutions of 1080P up to cable lengths of 10 metres either side of the device
- Supports HDMI sample rates up to 192kHz

Specifications:

Model	AU-1HARC
Inputs	1x HDMI (1x HDMI - ARC channel only Uncompressed AV & Data)
Outputs	2x RCA (1x Analogue Stereo (L/R))
Power	5v/2.6A
Dimensions	55(W) x 20(H) x 80(D)mm





AU-D1

Optical to L/R Stereo Audio Converter (DAC)



The **AU-D1** is a Digital-to-Analogue Audio Converter (DAC) which allows the user to easily convert digital optical signals to analogue L/R Stereo for connection to any AV receiver. With support for audio sampling rates up to 96kHz/24-bit, it provides high quality sound conversion which is perfect for connecting the digital audio output from a TV to an analogue AV receiver or amplifier.

With many of the latest generation of HDTVs now only providing an optical audio output, the AU-D1 allows the user to easily integrate the digital audio signal into their AV receiver.

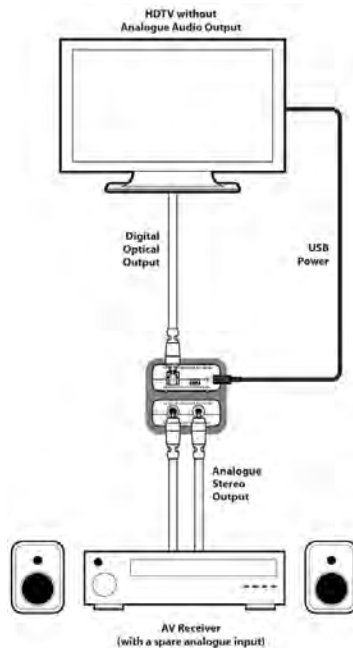
Features:

- Supports digital audio optical input and converts to L/R analogue audio output signal (DAC)
- Uncompressed digital LPCM stereo audio input support
- Supports LPCM audio sampling rates up to 96kHz (including 32, 44.1, 48, 88.2 and 96kHz)
- Supports S/PDIF bitstream 24-bit of data for the left and right channels
- USB powered

Note: Does not support the decoding of Dolby Digital Signals (Please see AU-D1D for Dolby Downmixing)

Specifications:

Model	AU-D1
Inputs	1x Toslink (1x Optical 2 Channel LPCM)
Outputs	2x RCA (1x Analogue Stereo (L/R))
Power	USB powered
Dimensions	55(W) x 25(H) x 85(D)mm



AU-D1D

Optical to L/R Stereo Audio Converter (DAC)



The **AU-D1D** is a Dolby Digital-to-Analogue Audio Converter (DAC) which allows the user to easily convert digital optical signals to analogue L/R Stereo for connection to any AV receiver. With audio sampling rate support up to 48kHz (Dolby Digital)/96kHz (LPCM) and I/O data rate support up to 24-bit, the AU-D1D provides high quality sound conversion. The Dolby Digital Decoder function guarantees that Dolby digital audio signals are downmixed to analogue stereo without loss of quality.

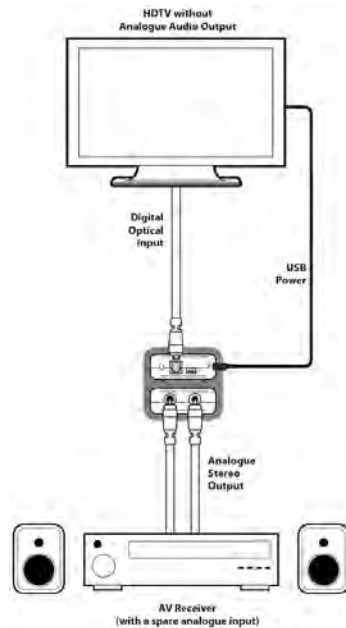
With many of the latest generation of HDTVs now only providing an optical audio output, the AU-D1D allows the user to easily integrate the digital audio signal into their AV receiver.

Features:

- Supports optical digital audio signal input and conversion to L/R analogue audio signal output (DAC)
- Supports uncompressed digital LPCM stereo or Dolby Digital 5.1Ch audio inputs
- Supports LPCM audio sampling rates from 32 to 96kHz (32, 44.1, 48, 88.2 and 96kHz)
- Supports Dolby Digital audio sampling rates of 32, 44.1 and 48kHz
- Supports Dolby Digital audio downmixing to 2-channel audio
- Supports S/PDIF bitstream 24-bit of data for the left and right channels
- USB powered

Specifications:

Model	AU-D1D
Inputs	1x Toslink (1x Optical 2 Channel LPCM / Dolby Digital)
Outputs	2x RCA (1x Analogue Stereo (L/R))
Power	USB powered
Dimensions	55(W) x 22(H) x 80(D)mm





AU-D2

Digital Audio Coaxial to Toslink Converter



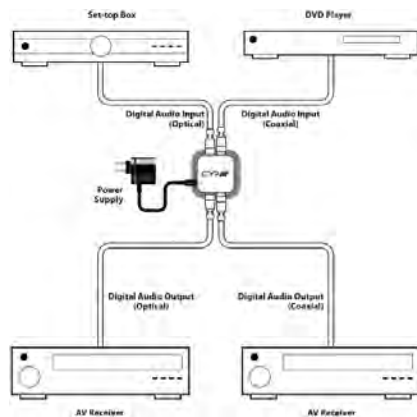
The **AU-D2** is a versatile Digital Audio Converter; either coaxial to optical or optical to coaxial. Simply select one of the digital audio inputs for two identical audio signals in both output formats.

Features:

- Digital Audio Coaxial/Optical bi-directional Converter
- Two-way conversion; Coaxial-to-Optical or Optical-to-Coaxial
- Re-clocking function enables the use of extended cable distances
- Inputs accept audio signals from 2-channel PCM to 5.1. Output signal follows input signal
- Select between input ports and distribute the audio signal to both Coaxial and Optical output ports simultaneously

Specifications:

Model	AU-D2
Inputs	1x RCA (1x Coaxial DTS / Dolby Digital / 2 Channel LPCM) 1x Toslink (1x Optical DTS / Dolby Digital / 2 Channel LPCM)
Outputs	1x RCA (1x Coaxial DTS / Dolby Digital / 2 Channel LPCM) 1x Toslink (1x Optical DTS / Dolby Digital / 2 Channel LPCM)
Power	5v/1.2A
Dimensions	58(W) x 24(H) x 46(D)mm



AU-D3-192

Digital Audio to Stereo Audio Converter (DAC) - 192kHz



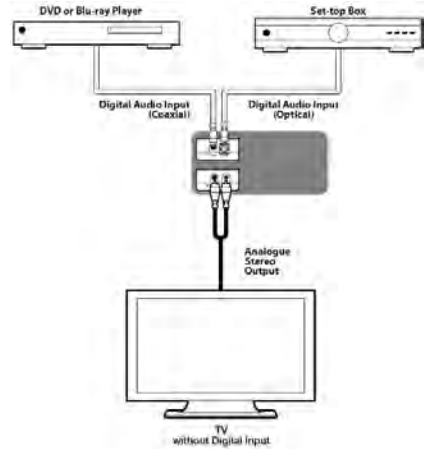
The **AU-D3-192** is designed to convert either Coaxial or Optical signals from a digital stereo signal to analogue stereo audio. With an advanced 192kHz sampling rate, this device is particularly useful for enhancing sound reproduction when connecting digital sources to analogue amplifiers.

Features:

- Digital Audio to Left/Right Stereo Audio Converter (DAC) with improved 192kHz sample rate for enhanced sound reproduction
- Integrated digital interpolator filter
- Supports digital audio signal (Coaxial/Toslink) input and analogue audio signal (L/R) output
- Accepts uncompressed digital stereo audio input
- Accepts 16 or 24bit: 32, 44.1, 48, 88.2, 96, 176.4 and 192kHz sample rates

Specifications:

Model	AU-D3-192
Inputs	1x RCA (1x Coaxial 2 Channel LPCM) 1x Toslink (1x Optical 2 Channel LPCM)
Outputs	2x RCA (1x Analogue Stereo (L/R))
Power	5v/1.2A
Dimensions	42(W) x 25(H) x 57(D)mm





AU-D4

Analogue-to-Digital Audio Converter



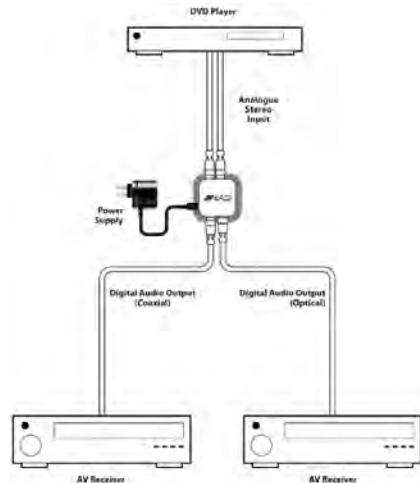
The **AU-D4** is designed to convert analogue stereo audio to Digital Coaxial and Optical (Toslink) outputs simultaneously.

Features:

- Analogue-to-Digital Audio Converter (ADC)
- Uncompressed 2-channel LPCM digital audio signal output
- Compatible with cable lengths of 5 metres either side of the device
- Output sampling rate: 48kHz
- Electromagnetic noise-free transmission

Specifications:

Model	AU-D4
Inputs	2x RCA (1x Analogue Stereo (L/R))
Outputs	1x RCA (1x Coaxial 2 Channel LPCM) 1x Toslink (1x Optical 2 Channel LPCM)
Power	5v/1.2A
Dimensions	45(W) x 25(H) x 45(D)mm



AU-D5D

Coaxial-to-L/R Stereo Audio Converter (DAC)



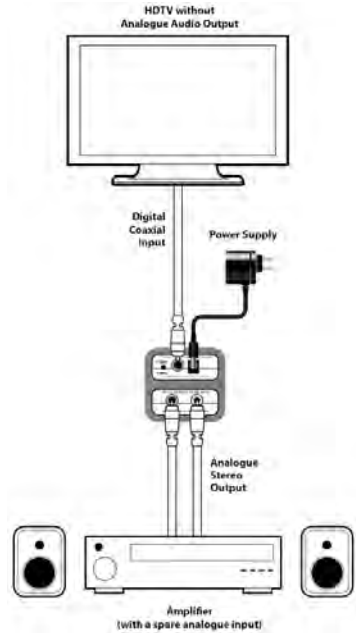
The **AU-D5D** is a Digital-to-Analogue Converter (DAC) which allows the user to easily downmix digital coaxial signals to analogue stereo audio. The AU-D5D features Dolby Digital and DTS decoding allowing for seamless integration to any AV system.

Features:

- Dolby Digital and DTS downmixing
- Digital Coaxial-to-Analogue stereo audio conversion (DAC)
- Coaxial input supports DTS up to 5.1 with audio sampling rates up to 96kHz and Dolby Digital up to 5.1 with audio sampling rates of 48kHz
- Supports SPDIF bitstream 24-bit of data for the left and right channels

Specifications:

Model	AU-D5D
Inputs	1x RCA (1x Coaxial Dolby Digital / DTS / 2 Channel LPCM)
Outputs	2x RCA (1x Analogue Stereo (L/R))
Power	5v/1A
Dimensions	36(W) x 22(H) x 55(D)mm





AU-D6-H

USB Digital Audio Converter



The **AU-D6-H** USB Digital Audio Converter is specially designed to take the audio output from a USB Audio source such as a laptop or PC and convert it to high quality analogue stereo for use with headphones or earphones.

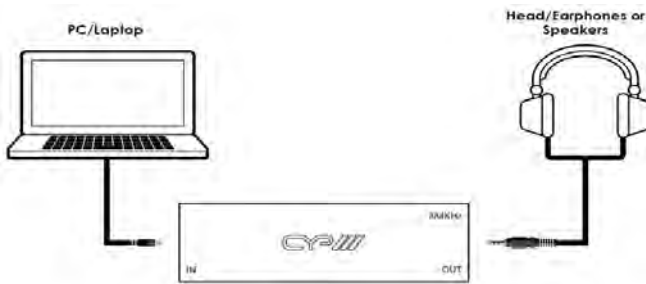
It utilises a superior USB audio processor (xMos U8A) and digital-to-analog converter (DAC) with a maximum sampling rate up to 384kHz/24-bit and an integrated amplifier for a better frequency response to avoid signal loss. Microsoft Windows and Mac OSX compatible.

Features:

- Convert USB Audio Class 2.0 from a laptop/PC and output to high quality analogue audio to headphones/earphones
- Superior USB audio processor (xMos U8A) accepts signals up to 384kHz/24-bit sample rates
- Superior Digital-to-Analogue (DAC) engine with support up to 384K for conversion to an analogue signal
- Integrated headphone amplifier for better frequency response avoiding signal loss
- Simple operation and compact design for use on-the-go or at home
- Compatible with Microsoft Windows XP, Vista, 7, 8, & 1, 10 (32 and 64-bit) drivers provided
- Compatible with Mac OS X version 10.6.4 or better (USB Audio Class 2.0 is natively supported – no driver required)
- No external power required

Specifications:

Model	AU-D6-H
Inputs	1x USB Type B (1x USB (2.0) Audio)
Outputs	1x 3.5mm Stereo mini-jack (1x Headphone)
Power	USB powered
Dimensions	25(W) x 22(H) x 69(D)mm



AU-D6-192

USB Digital Audio Converter



The **AU-D6-192** USB Digital Audio Converter is specially designed to take the audio output from a USB Audio Class 2.0 source such as a laptop or PC and convert it to high quality 2 channel linear PCM optical digital output (Toslink) for use with an external amplifier or active speakers with a optical digital input.

It utilises a superior USB Audio processor (xMos U8A) with a maximum sampling rate up to 192kHz/24-bit providing an improved frequency response for better audio reproduction. Microsoft Windows and Mac OS X compatible.

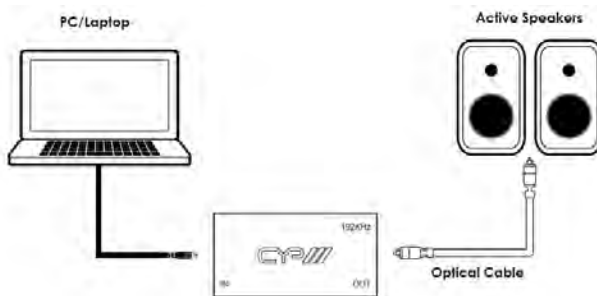
Features:

- Convert USB Audio Class 2.0 from a laptop/PC to HD audio and output to an amplifier or active speakers
- Superior USB audio processor (XMOs U8A) supports up to 192kHz/24-bits sample rates
- Superior optical module supports up to 192kHz for high resolution digital audio output
- Supports 2-Channel LPCM: 44.1kHz / 48kHz / 88.2kHz / 96kHz / 176.4kHz / 192kHz
- Simple operation and compact design for use on-the-go or at home
- Compatible with Microsoft Windows XP, Vista, 7, 8, 8.1, 10 (32 and 64-bit drivers provided)
- Compatible with Mac OS X version 10.6.4 or better (USB Audio Class 2.0 is natively supported – no driver required)
- No external power required



Specifications:

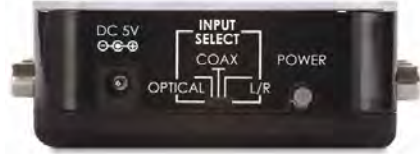
Model	AU-D6-192
Inputs	1x USB Type B (1x USB (2.0) Audio)
Outputs	1x Toslink (1x Optical 2 Channel LPCM)
Power	USB powered
Dimensions	25(W) x 22(H) x 49(D)mm





AU-D9

Bi-directional Digital-Analogue Audio Converter (DAC)



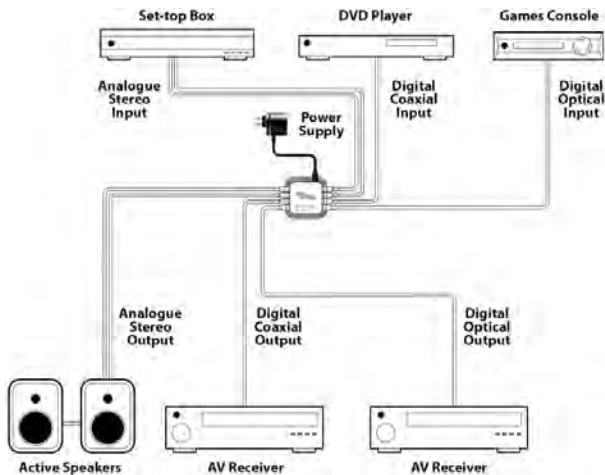
The **AU-D9** is a versatile audio converter allowing users to convert analogue audio into digital or digital audio into analogue. It can simultaneously output in all 3 audio formats without any signal loss.

Features:

- Bi-directional Digital-Analogue Audio Converter
- Three-way conversion; Coaxial-to-Optical and Analogue, Optical-to-Coaxial & Analogue and Analogue-to-Optical & Coaxial
- Integrated digital interpolator filter and Digital-to-Analogue Converter (DAC)
- Supports 2 phono stereo, digital co-axial and digital optical signal inputs
- Supports sample rates from 16 to 100kHz
- Simultaneously outputs digital coaxial, digital optical and 2 phono stereo audio signals
- Provides electromagnetic noise-free transmission

Specifications:

Model	AU-D9
Inputs	1x Toslink (1x Optical DTS / Dolby Digital / 2 Channel LPCM) 1x RCA (1x Coaxial DTS / Dolby Digital / 2 Channel LPCM) 2x RCA (1x Analogue Stereo (L/R))
Outputs	1x Toslink (1x Optical DTS / Dolby Digital / 2 Channel LPCM) 1x RCA (1x Coaxial DTS / Dolby Digital / 2 Channel LPCM) 2x RCA (1x Analogue Stereo (L/R))
Power	5v/1.2A
Dimensions	95(W) x 35(H) x 85(D)mm



AU-11DD

Dolby Digital Downmixer



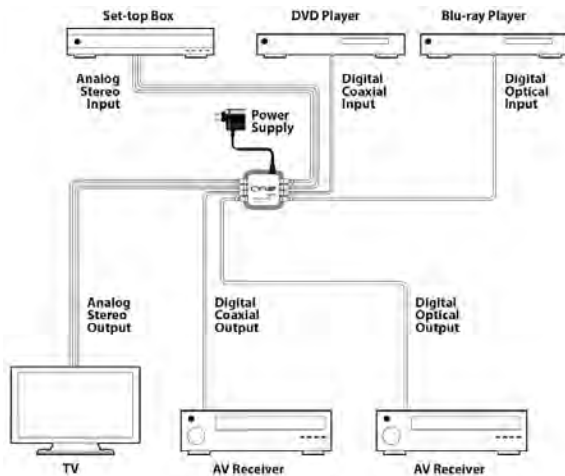
The **AU-11DD** is designed to decode and downmix Dolby Digital audio signals to stereo. All outputs are simultaneous which is ideal for multi-room audio environments where both digital and analogue zones are required.

Features:

- Embedded Dolby Digital Decoder technology for Digital downmixing
- Supports Dolby Digital, Analogue Stereo and LPCM Stereo signals
- Integrated digital interpolator filter and Digital-to-Analogue Converter (DAC)
- Integrated Analogue-to-Digital Converter (ADC)
- Supports Dolby Digital audio downmixing to 2-Channel Stereo audio
- Supports Dolby Digital sampling rate 48kHz
- Supports LPCM input sampling rates from 32 to 96kHz
- Output sampling rate is adjusted to 48kHz

Specifications:

Model	AU-11DD
Inputs	2x RCA (1x Analogue Stereo (L/R)) 1x RCA (1x Coaxial Dolby Digital / 2 Channel LPCM) 1x Toslink (1x Optical Dolby Digital / 2 Channel LPCM)
Outputs	2x RCA (1x Analogue Stereo (L/R)) 1x RCA (1x Coaxial Dolby Digital / 2 Channel LPCM) 1x Toslink (1x Optical Dolby Digital / 2 Channel LPCM)
Power	5v/1.2A
Dimensions	95(W) x 35(H) x 85(D)mm





AU-D12

2-way Digital Optical Audio Splitter



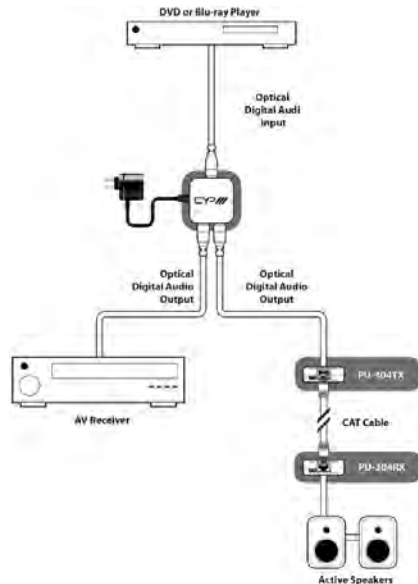
The **AU-D12** is a digital audio splitter with one Optical (Toslink) input to two Optical (Toslink) outputs, which maintains a reliable and loss-less audio signal transmission.

Features:

- 1 to 2 Optical (Toslink) Distribution Amplifier
- Supports S/PDIF standard of digital audio transmission
- Compatible with cable lengths of 5 metres either side of the device
- Accepts Uncompressed 2-channel LPCM (Linear Pulse Code Modulation) and Compressed 2-channel and multi-channel Dolby and DTS audio signal
- Electromagnetic noise-free transmission

Specifications:

Model	AU-D12
Inputs	1x Toslink (1x Optical DTS / Dolby Digital / 2 Channel LPCM)
Outputs	2x Toslink (2x Optical DTS / Dolby Digital / 2 Channel LPCM)
Power	5v/1.2A
Dimensions	45(W) x 25(H) x 45(D)mm



AU-D14

4-way Digital Optical Audio Splitter



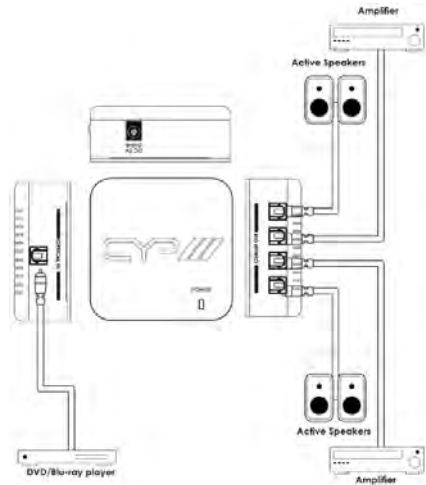
The **AU-D14** is a digital audio splitter with one Optical (Toslink) input to four Optical (Toslink) outputs, which maintains a reliable and loss-less audio signal transmission.

Features:

- Supports one optical input and four optical outputs
- Supports 2 Channel LPCM audio signal (sampling rate up to 192kHz)
- Supports Dolby and DTS audio signal bypass
- Supports SPDIF bandwidth from 32kHz to 192kHz
- Low power consumption

Specifications:

Model	AU-D14
Inputs	1x Toslink (1x Optical 2 Channel LPCM / Dolby Digital / DTS)
Outputs	4x Toslink (4x Optical 2 Channel LPCM / Dolby Digital / DTS)
Power	5v/1.2A
Dimensions	85(W) x 35(H) x 85(D)mm





AU-D150

USB Optical to 2x Phono Digital-to-Analogue Converter



The **AU-D150** USB/Optical Digital Audio Converter (DAC) will convert a digital audio signal to analogue, whilst simultaneously outputting a digital optical signal. It is designed for easy installation of USB or optical sources and can be powered by USB or via the included PSU.

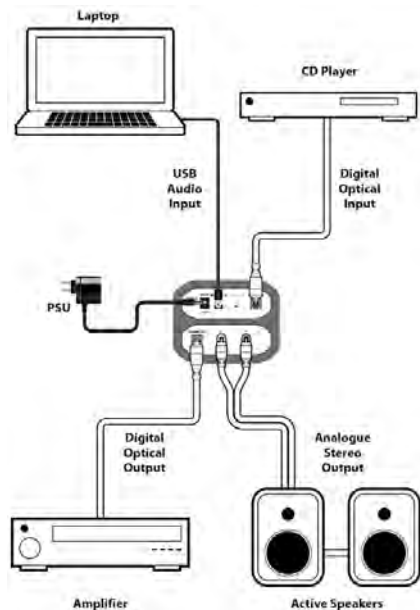
The optical output can be linked with an amplifier or any sound system with optical SPDIF input, whilst the analogue stereo output can be connected to a TV or amplifier/speakers, for a simultaneous analogue stereo output.

Features:

- USB 2.0 full speed compatible
- USB/Optical Digital Audio Converter (DAC)
- USB audio device class specification v1.0 Compatible
- Optical sampling rate supports up to 192kHz, 24-bit
- USB Audio Support - High performance 16-bit Stereo, 48/44.1kHz sampling rate
- USB or PSU powered (PSU supplied)
- Simultaneous analogue and optical stereo output

Specifications:

Model	AU-D150
Inputs	1x Toslink (1x Optical - 2 Channel LPCM) 1x USB Mini B (1x USB Audio / USB Power)
Outputs	1x Toslink (1x Optical - 2 Channel LPCM) 2x RCA (1x Analogue Audio - Stereo (L/R))
Power	5v/1.2A (PSU supplied or USB Cable powered)
Dimensions	25(W) x 90(H) x 120(D)mm



AU-22DD

Dolby/DTS Digital Downmixer



The **AU-22DD** is a versatile audio converter allowing users to convert analogue audio signals to digital or digital audio signals to analogue.

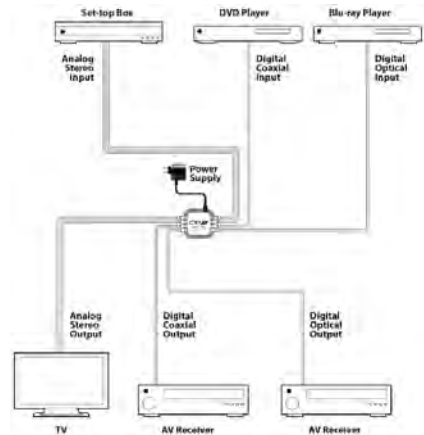
It supports Dolby Digital and DTS audio downmixing and can simultaneously output from all 3 audio formats without any signal loss, adding extra flexibility to your AV system.

Features:

- Embedded Dolby Digital and DTS Decoder technology for Digital downmixing
- Bi-directional Digital/Analogue Audio Converter
- Three-way conversion; Coaxial-to-Optical and Analogue, Optical to Coaxial and Analogue to Optical and Coaxial
- Integrated digital interpolator filter and Digital-to-Analogue Converter (DAC)
- Sampling rates 32 to 96kHz

Specifications:

Model	AU-22DD
Inputs	1x Toslink (1x Optical Dolby Digital / DTS / 2 Channel LPCM) 1x RCA (1x Coaxial Dolby Digital / DTS / 2 Channel LPCM) 2x RCA (1x Analogue Stereo (L/R))
Outputs	2x RCA (1x Analogue Stereo (L/R)) 1x RCA (1x Coaxial Dolby Digital / DTS / 2 Channel LPCM) 1x Toslink (1x Optical Dolby Digital / DTS / 2 Channel LPCM)
Power	5v/1A
Dimensions	85(W) x 35(H) x 97(D)mm



AU-11CA-4K22

HDMI Audio Embedder

10m



HDMI 4KUHD HDCP2.2

The **AU-11CA-4K22** Audio Embedder enables you to insert an external audio signal into any HDMI source signal. This device allows you to insert analogue or digital stereo and multi-channel digital surround sound signals (via Optical) to give users the flexibility to manage their audio signals within a wider AV installation.

In addition to its primary function as an audio embedder, AU-11CA-4K22 also acts as a HDMI repeater by boosting the HDMI signal enabling up to 10 metres HDMI cables to be run from the HDMI output.

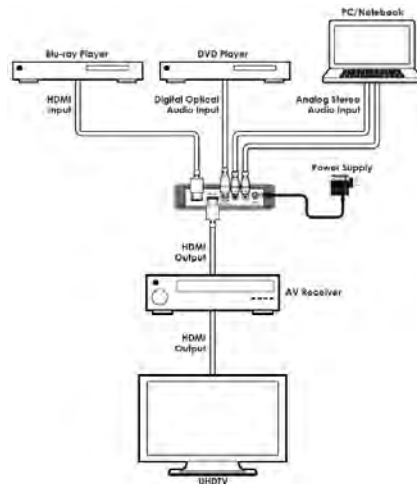
This device supports HDMI 2.0, HDCP2.2 and 4K resolutions enabling flexible audio signal management into 4K ultra high definition video signal paths.

Features:

- HDMI 2.0, HDCP2.2 and DVI compliant
- Supports HDTV resolutions up to 4Kx2K (3840x2160@24/25/30/50/60 YUV_444 and 4096x2160@24/25/30/50/60 YUV_444)
- Supports HDMI high resolution digital audio format bypass, LPCM 7.1Ch, Dolby TrueHD, Dolby Digital Plus, Dolby Atmos and DTS-HD Master Audio
- HDMI supports high bit-rate (HBR) audio
- Select which audio source you require to be embedded onto the HDMI output
- Supports HDMI and Optical S/PDIF audio sample rate up to 192kHz
- Supports LPCM Stereo, DTS and Dolby Digital via Optical input
- Features CEC bypass
- HDMI signal amplification and equalisation supporting HDMI cable distance of 10 metres either side of the device at full 1080p

Specifications:

Model	AU-11CA-4K22
Inputs	1x HDMI (1x HDMI 2.0 Uncompressed AV & Data) 1x 3.5mm Stereo mini-jack (1x Analogue Stereo(L/R)) 1x Toslink (1x Optical 2 Channel LPCM) 1x USB Mini B (1x Service - Proprietary Data)
Outputs	1x HDMI (1x HDMI 2.0 Uncompressed AV & Data)
Power	5v/2.6A
Dimensions	118(W) x 25(H) x 128(D)mm



AU-11CA

HDMI Audio Embedder



The **AU-11CA** Audio Embedder lets you insert an external audio signal into any HDMI source. The device allows you to insert analogue or digital stereo and multi-channel digital surround sound signals (via Optical) to give users the capability to overcome audio issues within complex HDMI installation.

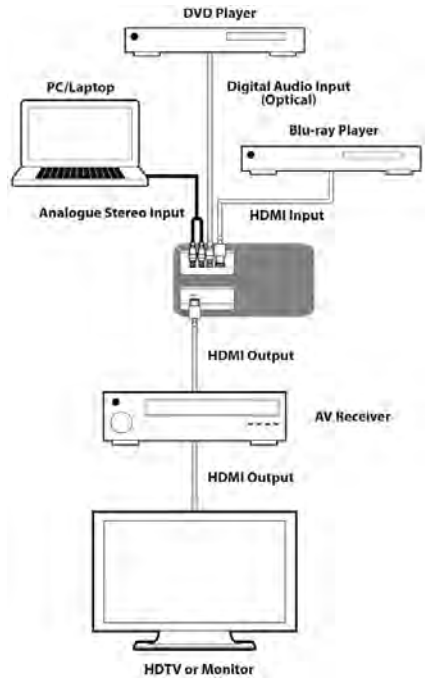
The AU-11CA also repeats the HDMI signal to allow an extended total HDMI cable range.

Features:

- Compliant with HDMI v1.3 ,HDCP 1.2 and DVI 1.0
- Supports Optical sample rate up to 96kHz
- Supports LPCM Stereo, DTS and Dolby Digital via Optical input
- Supports up to 24bit resolution digital audio
- Supports resolutions of 1080P up to cable lengths of 10 metres either side of the device
- Supports HDMI sample rates up to 192kHz

Specifications:

Model	AU-11CA
Inputs	1x HDMI (1x HDMI Uncompressed AV & Data) 2x RCA (1x Analogue Stereo (L/R)) 1x Toslink (1x Optical DTS / Dolby Digital / 2 Channel LPCM)
Outputs	1x HDMI (1x HDMI Uncompressed AV & Data)
Power	5v/1.2A
Dimensions	85(W) x 35(H) x 85(D)mm





AU-1H1DD-4K22

HDMI Audio De-embedder



HDMI 4K UHD HDCP2.2

The **AU-1H1DD-4K22** is an advanced solution for de-embedding and down-mixing audio signals from the HDMI input (up to Dolby Digital and DTS 2.0+Digital Out). Connect the AU-1H1DD between the source and your display via HDMI and select 2Ch LPCM or bypass. The digital audio outputs can be set to either 2Ch LPCM or bypass.

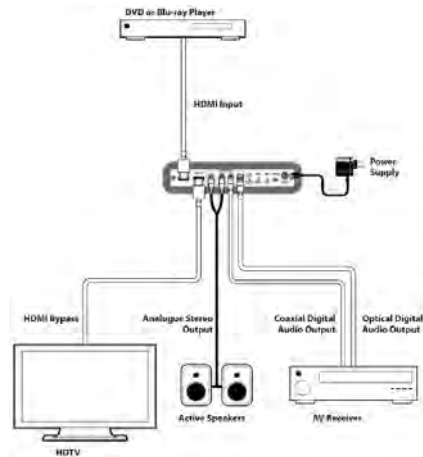
The L/R analogue outputs will always output down-mixed stereo (with audio up to Dolby Digital and DTS 2.0+Digital Out). This device supports the latest 4K resolutions, HDMI2.0 and HDCP2.2 for stunning results.

Features:

- HDCP2.2, HDMI2.0 and DVI compatible
- Built-in Dolby Digital Decoder
- Built-in DTS 2.0+Digital Out Decoder
- Integrated digital interpolator filter and Digital-to-Analog Converter (DAC)
- Supports HDTV resolutions up to 4K: 3840x2160@24/25/30Hz, 4096x2160@24/25/30Hz, 3840x2160@50/60Hz (YUV444) and 4096x2160@50/60 (YUV444)
- Supports simultaneous audio outputs on HDMI, analogue L/R, Coaxial and Optical
- Supports Dolby Digital sampling rates up to 48kHz
- Supports DTS sampling rates up to 96kHz
- Supports LPCM input sampling rates up to 96kHz
- Supports coaxial and optical output audio sampling rates up to 96kHz
- Supports up to 3m HDMI cables on input and output

Specifications:

Model	PUV-1082-PRO
Inputs	1x HDMI (1x HDMI 2.0 (ARC) Uncompressed AV & Data)
Outputs	1x HDMI (1x HDMI 2.0 Uncompressed AV & Data) 2x RCA (1x Analogue audio Stereo (L/R)) 1x Toslink (1x Optical DTS / Dolby Digital / 2 Channel LPCM) 1x RCA (1x Coaxial Dolby Digital / DTS / 2 Channel LPCM)
Power	5v/2.6A
Dimensions	180(W) x 25(H) x 111(D)mm



AU-11SA-4K22

HDMI Audio De-embedder (up to 7.1)



HDMI 4K UHD HDCP2.2 7.1 Surround

The **AU-11SA-4K22** advanced digital audio decoder is designed to de-embed 2-channel or multi-channel audio from the connected HDMI input and breakout this audio to provide 7.1 analogue audio connections, plus a 5.1 optical audio output and a HDMI bypass output. This device supports bypass of high resolution digital audio formats including LPCM 7.1Ch, Dolby TrueHD, Dolby Digital Plus, Dolby Atmos and DTS-HD Master Audio and supports audio sampling rates up to 192kHz.

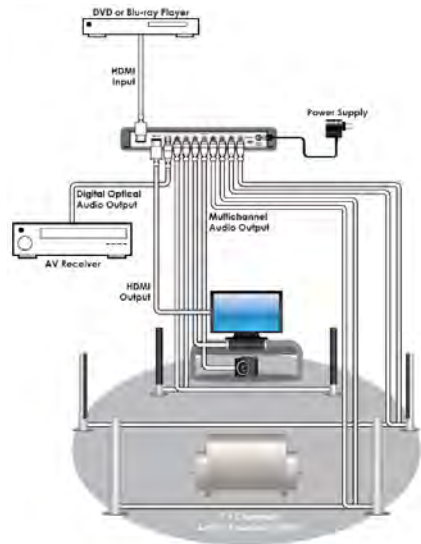
In addition, the AU-11SA-4K22 supports 4K video resolutions, HDMI 2.0 and HDCP2.2 ensuring stunning results and maximum compatibility for any AV system.

Features:

- HDMI 2.0, HDCP2.2 and DVI compliant
- HDMI audio decoder with built-in repeater
- Supports HDTV resolutions up to 4K (3840x2160@24/25/30/ 50/60 YUV_444 and 4096x2160@24/25/30/50/60 YUV_444)
- The optical output supported audio: LPCM, Dolby Digital and DTS up to 5.1
- HDMI Bypass output supported audio: Dolby True HD, Dolby Digital Plus and DTS-HD Master Audio
- Analogue stereo audio outputs support LPCM 2 channel, 5.1 and 7.1
- Audio sampling rate up to 192kHz
- HDMI supports high bit-rate (HBR) audio
- Features CEC bypass function

Specifications:

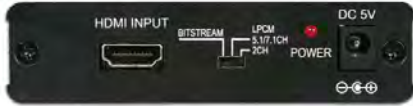
Model	AU-11SA-4K22
Inputs	1x HDMI (1x HDMI 2.0 Uncompressed AV & Data)
Outputs	1x HDMI (1x HDMI 2.0 Uncompressed AV & Data) 1x Toslink (1x Optical Dolby Digital / DTS / 2 Channel LPCM) 1x RCA (1x Front Left Mono) 1x RCA (1x Front Right Mono) 1x RCA (1x Front Centre Mono) 1x RCA (1x Low Frequency Effect Mono) 1x RCA (1x Right Rear Mono) 1x RCA (1x Left Rear Mono) 1x RCA (1x Rear Right Centre Mono) 1x RCA (1x Rear Left Centre Mono)
Power	5v/2.6A
Dimensions	118(W) x 25(H) x 231(D)mm





AU-11SA

HDMI Audio De-embedder (7.1)



HDMI 7.1 Surround

The **AU-11SA** is an advanced solution for HDMI-to-HDMI repeating with audio de-embedding. It is compatible with v1.3 HDMI specifications.

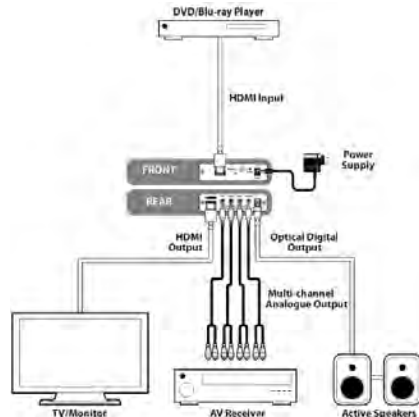
Connect to source and display (HDMI), select the required audio format and output your audio format to your amplifier. This device has advanced firmware allowing audio to be de-embedded without the need to connect the HDMI display (no sink-end required).

Features:

- HDMI audio de-embedder with built-in repeater
- compliant with v1.3 HDMI, HDCP 1.1 and DVI 1.1 standards
- Supports uncompressed digital LPCM 7.1, 5.1 or 2 channels and compressed digital Bitstream (Dolby TrueHD, Dolby Digital Plus and DTS-HD Master Audio) through HDMI input and output ports
- Output resolution follows input resolution. Video pass-through, no scaling
- HDMI signal amplification and equalisation supporting HDMI cable distance of 10 metres either side of the device at full 1080p
- Supports LPCM 7.1, 5.1 or 2 channel output through multichannel analogue output ports
- Supports digital Dolby 5.1/2 and LPCM 2 channels output through optical output
- Supports CEC bypass

Specifications:

Model	AU-11SA
Inputs	1x HDMI (1x HDMI Uncompressed AV & Data)
Outputs	1x HDMI (1x HDMI Uncompressed AV & Data) 1x 3.5mm Stereo mini-jack (1x Stereo(L/R)) 1x 3.5mm Stereo mini-jack (1x Low Frequency Effect(LFE) & Front Centre(FC)) 1x 3.5mm Stereo mini-jack (1x Rear Left(RL) & RearRight(RR)) 1x 3.5mm Stereo mini-jack (1x Rear Left Centre(RLC) & Rear Right Centre(RRC)) 1x Toslink (1x Optical DTS / Dolby Digital / 2 Channel LPCM)
Power	5v/2.6A
Dimensions	102(W) x 25(H) x 146(D)mm



AU-11CD-4K22

HDMI Audio De-embedder (up to 5.1)



HDMI 4K UHD HDCP2.2 5.1 Surround

The **AU-11CD-4K22** is an advanced solution for repeating HDMI with integrated audio de-embedding, up to 5.1. Connect the AU-11CD-4K22 between your source and display via HDMI and select the audio format required.

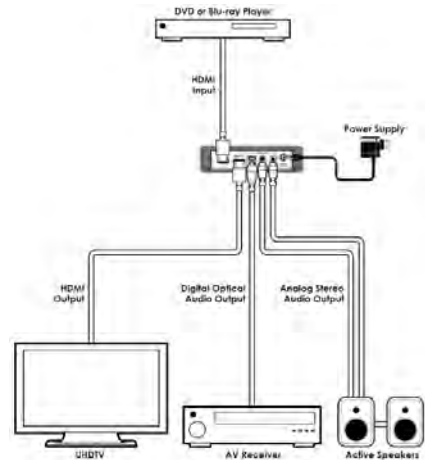
This device supports 4K resolutions, HDMI 2.0 and HDCP2.2 enabling flexible audio signal management from ultra high definition video signal paths. The built-in HDMI repeater function allows users to extend the transmission distance of up to 4K@60 resolutions a further 5 metres from the device HDMI output.

Features:

- HDMI2.0, HDCP2.2 and DVI compliant
- Supports HDTV resolutions up to 4Kx2K (3840x2160@24/25/30/ 50/60 YUV_444 and 4096x2160@24/25/30/50/60 YUV_444)
- Supports bypass of high resolution digital audio formats including LPCM 7.1Ch, Dolby TrueHD, Dolby Digital Plus, Dolby Atmos and DTS-HD Master Audio
- Supports HDMI audio sampling rate up to 192kHz
- Supports Optical S/PDIF audio sampling rate up to 192kHz
- Supports external HDMI, Digital or Analog audio signal embeds into HDMI
- HDMI supports high bit-rate (HBR) audio
- Supports DVI conversion with HDMI to DVI adaptor
- Supports CEC bypass
- Supports analog stereo L/R and Optical S/PDIF audio outputs

Specifications:

Model	AU-11CD-4K22
Inputs	1x HDMI (1x HDMI 2.0 Uncompressed AV & Data)
Outputs	1x HDMI (1x HDMI 2.0 Uncompressed AV & Data) 2x RCA (1x Analogue audio Stereo (L/R)) 1x Toslink (1x Optical 2 Channel LPCM / DTS / Dolby Digital)
Power	5V/2.6A
Dimensions	128(W) x 30(H) x 117(D)mm





AU-11CD

HDMI Audio De-embedder (5.1)



HDMI 5.1 Surround

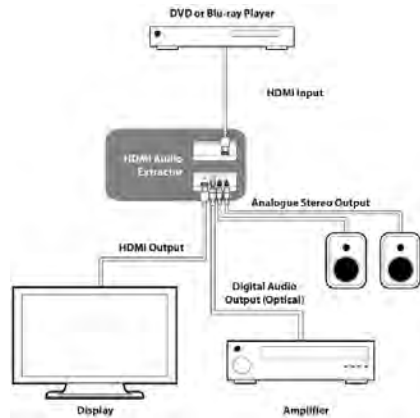
The **AU-11CD** is an advanced solution for repeating HDMI with integrated Audio de-embedding, up to 5.1. Connect the AU-11CD between your source and display via HDMI and select the audio format required.

Features:

- Compliant with v1.3 HDMI, HDCP 1.2 and DVI 1.0
- Supports HDMI sample rates up to 192kHz
- Supports Optical sample rate up to 48kHz
- Supports TMDS clock frequency rate 225mHz
- Supports high bit-rate (HBR) audio
- Supports resolutions of 1080p up to cable lengths of 10 metres either side of the device
- Supports built-in audio EDID switch of LPCM2, 5.1/7.1 or Bitstream

Specifications:

Model	AU-11CD
Inputs	1x HDMI (1x HDMI Uncompressed AV & Data)
Outputs	1x HDMI (1x HDMI Uncompressed AV & Data) 1x Toslink (1x Optical DTS / Dolby Digital / 2 Channel LPCM) 2x RCA (1x Analogue Stereo (L/R))
Power	5v/1.2A
Dimensions	90(W) x 35(H) x 85(D)mm



AU-IP21

IP Audio Controller



IP Control

The **AU-IP21** allows for remote Audio Source switching and volume control over I.P. and has the choice of optical or analogue stereo inputs, outputting to analogue L/R with the choice of mono or stereo.

In an installed audio system application where a certain amount of control from a remote location is required, the AU-IP21 will allow for analogue or digital audio source devices to be controlled on a standard Ethernet network using a simple PC GUI.

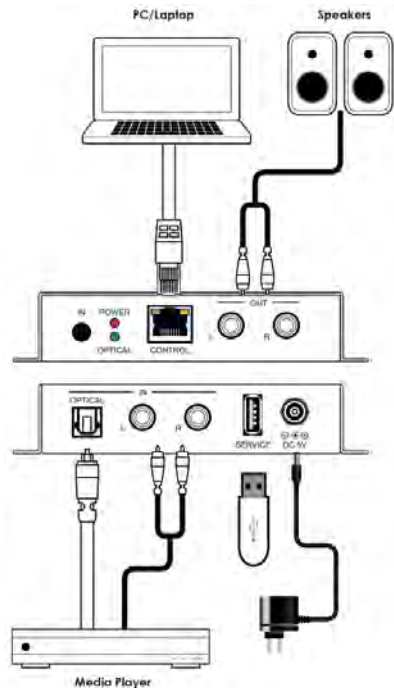
So, for instance, where an audio rack may be installed some distance from listening/control environment, the AU-IP21 will allow the user to control switching volume control, etc of audio streaming devices, DAB radios, etc from a PC, tablet or smartphone.

Features:

- Supports optical input sampling rate up to 192kHz
- Supports optical and analogue L/R inputs to analogue L/R output
- Support stereo out or Mono out
- Support volume control by Telnet or WebGUI
- Single button source selection
- Editable source labels in Web GUI

Specifications:

Model	AU-IP21
Inputs	1x Toslink (1x 2 Channel LPCM) 2x RCA (1x Stereo (L/R)) 1x USB Type A (1x Service Proprietary Data) 1x RJ45 (1x Control Proprietary Data)
Outputs	2x RCA (1x Stereo (L/R))
Power	5v/2.6A
Dimensions	82(W) x 22(H) x 55(D)mm





AU-D18

Adjustable Stereo Lip Sync Corrector



The **AU-D18** analogue stereo Lip Sync Corrector is a compact device for correcting audio lip sync issues.

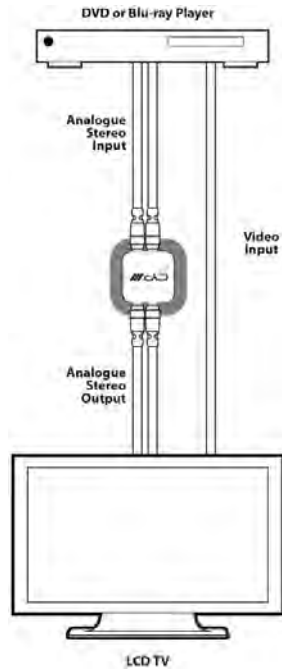
This solution features a manually adjustable timing selector dial which can be adjusted so that the users may fine-tune the timing of the audio so that it is in sync with the video signal, overcoming any annoying sound mismatch to the display or amplifier.

Features:

- Lip Sync Corrector with adjustable delay between 0 and 300ms
- Sample Rate: 48kHz
- Compatible with a 2 Phono stereo audio signal
- Up to 24 bit audio resolution
- Adjust analogue audio signal timing to compensate for video signal delays in AV systems

Specifications:

Model	AU-D18
Inputs	2x RCA (1x Analogue Stereo (L/R))
Outputs	2x RCA (1x Analogue Stereo (L/R))
Power	5v/1.2A
Dimensions	45(W) x 25(H) x 45(D)mm





QU-125

Product Index

AU-11CA	195	AU-D6-H	186
AU-11CA-4K22	194	AU-D820S	175
AU-11CD	200	AU-D9	188
AU-11CD-4K22	199	AU-IP21	201
AU-11DD	189	CM-388M	141
AU-11SA	198	CR-CS2	160
AU-11SA-4K22	197	CR-KP1	156
AU-1H1DD-4K22	196	CR-KP2	157
AU-1HARC	179	CR-KP3	159
AU-22DD	193	CR-TG1	158
AU-A220	170	DS-MSC	164
AU-A300	169	DS-MSC14	163
AU-A300-HBT	168	DS-MSC14-4K	162
AU-A50	171	DS-VWC	161
AU-D1	180	EL-21PIP	108
AU-D12	190	EL-21SY	107
AU-D14	191	EL-2600V	44
AU-D150	192	EL-31SY	106
AU-D18	202	EL-41HP-4K22	101
AU-D1D	181	EL-41PIP	103
AU-D2	182	EL-41S-4K22	102
AU-D21	177	EL-41SY	104
AU-D250-4K22	178	EL-42PIP	97
AU-D3-192	183	EL-42S	105
AU-D4	184	EL-5400-HBT	96
AU-D41	176	EL-5500	95
AU-D5D	185	EL-5500-HBT	94
AU-D6-192	187	EL-6010-4K22	132

EL-7300	100	PU-607BD-TX RX	77
EL-7400V	99	PU-607BDWP-TX RX	78
EL-7500V	98	PU-8H8HBTE-4K22	25
HDMP-XXXM Series	165	PU-8H8HBTPL-4K22	26
IP-6000RX	13	PU-HBT-EX	84
IP-6000TX	12	PU-HBTE-ZE	83
IP-7000TX RX	11	PU-IR01-KIT	88
IP-CS7	10	PU-Q1H8CS	123
MA-421	33	PU-USB-KIT	90
MOD-X	20	PUV-1082 Matrix Series	21
OR-44-4K22	39	PUV-1082-4K22	23
OR-44U-4K22	38	PUV-1082PL-4K22	24
OR-88U-4K22	34	PUV-1082-PRO	22
OR-HD62CD	37	PUV-1210PL-TX RX	76
OR-HD62CD-4K22	36	PUV-1230PL-TX RX	75
OR-HD88HC	35	PUV-1510RXWP	74
PRO-SDIHDMI	142	PUV-1510TX RX	72
PU-1H2HBTE	116	PUV-1510TXWP	73
PU-1H3HBTE	114	PUV-1530TX RX	71
PU-1H3HBTPL	115	PUV-1540S-RX	70
PU-1H7HBTE	112	PUV-1550SRX	69
PU-1H7HBTPL	113	PUV-1550STX	68
PU-232	89	PUV-1602TXWP	67
PU-304-KIT	172	PUV-1605S-TXWP	66
PU-305BDA-TX RX	174	PUV-1610TX RX	65
PU-305BD-TX RX	173	PUV-1620S-TX	64
PU-44XL-KIT	32	PUV-1630TTX	63
PU-507TX RX	79	PUV-1630TXWP	62
PU-507TX-HDVGA	80	PUV-1650TX RX	61
PU-507WPRX	81	PUV-1710LTX-AVLC RX-AVLC	60
PU-515PL-TX RX	82		

PUV-1730PLTX-AVLC RX-AVLC	59	RE-101	87
PUV-1810TX-AVLC RX-AVLC	58	RE-101-4K22	86
PUV-1820TX-AVLC	56	RE-EDID	150
PUV-1830RX-AVLC	55	RE-EDID-4K22	85
PUV-1830TX-AVLC	54	RE-HDEQ	148
PUV-2000RX	53	RE-PI	149
PUV-2000TX	52	SDV-CS8	17
PUV-2010RX	49	SDV-CTRX	15
PUV-2010RXWP	51	SDV-FTRX	14
PUV-2010TX	48	SDV-FTX FRX	16
PUV-2010TXWP	50	SY-12H-4K22	133
PUV-2100RX-AVLC	47	SY-298H24	137
PUV-2100TX-AVLC	46	SY-300H	136
PUV-2600RX	45	SY-300H-4K22	135
PUV-442-4K22	29	SY-398H	144
PUV-44XPL-4K22-KIT	31	SY-4KS-4K22	134
PUV-44XPL-AVLC	30	SY-HDVG-4K22	138
PUV-662-4K22	27	SY-P290	140
PUV-662PL-4K22	28	SY-P293	139
QU-10-4K22	118	SY-P295N	143
QU-12D	128	SY-PT385A	145
QU-12S	127	XA-2	155
QU-14S	125	XA-3P	154
QU-16E-4K	117	XA-4	153
QU-18S	122	XA-HDCP	151
QU-2-4K22	126	XA-HSP	152
QU-28S-4K22	120		
QU-4-4K22	124		
QU-8-4K22	119		
QU-8MS	121		



www.cie-group.com

UK Main Commercial Distributor for CYP

CIE-Group Ltd, 3 Widdowson Close, Blenheim Industrial Estate, Nottingham NG6 8WB
info@cie-group.com | +44(0)115 977 0075