



An Axis company

## 2N Access Commander Box (91379030)

### Data sheet and technical specifications



#### Basic description

The **2N Access Commander Box** is an ultra compact, small and powerful computer with pre-installed 2N Access Commander – software designed for access control configuration and 2N devices management. It is a plug and play solution which requires only a power supply and an Ethernet cable to be connected to the computer.



It is recommended to place this computer to the secure area and it has to be up and running all the time for the proper and full functionality (it is an access control server monitoring all devices and collecting all access logs).


**Order number: 91379030**



An Axis company

## Package Contents



1x Gigabyte BRIX BACE with:

- **2N Access Commander**
- 2.5" 32GB HDD
- 4GB DDR3 memory

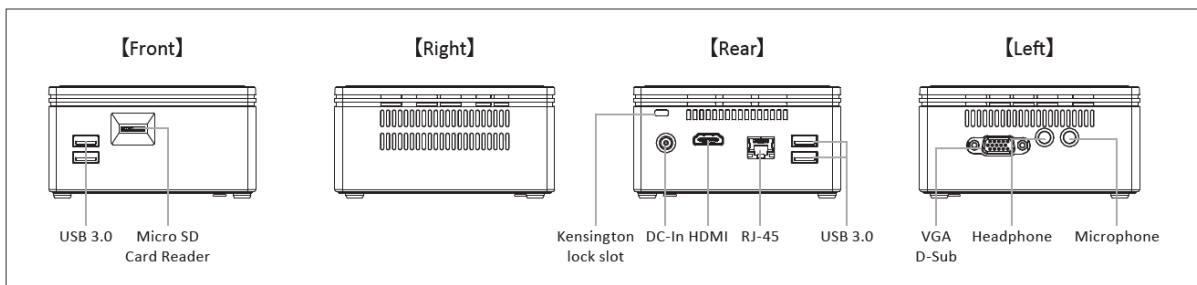
1x VESA mount bracket  
6x screws

1x 40W wall mount adapter with plugs for EU, US, Asia and Australia

1x Quick Start Guide (Data sheet) in 7 languages

## Connectors

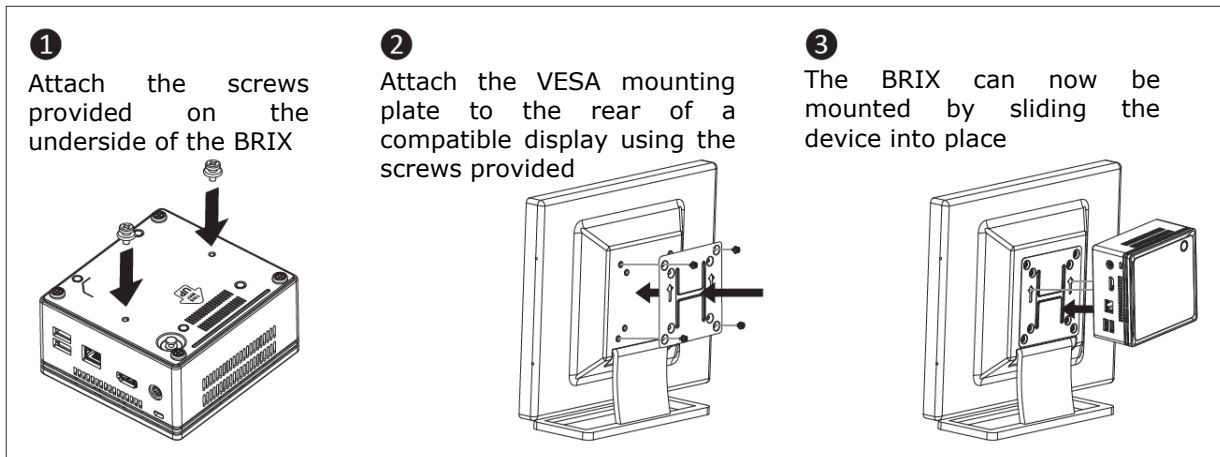
The **2N Access Commander Box** includes the following elements and connectors accessible to the user:





An Axis company

This computer can be mounted on the rear side of the monitor thanks to the **VESA mounting bracket**. See the instructions below how to do that.



## IP address settings

- The default setting is **DHCP ON**.
- Use the **2N Network Scanner** software to locate the computer with 2N Access Commander in the network.
- To **set the static IP address** (switch DHCP OFF), connect the keyboard and the monitor to this small computer. Black screen will appear and then follow the steps below:
  - 1) login to system as a root – default login is **root : 2n**
  - 2) blue screen will appear, then change the default "root" password to more secure one
  - 3) go to "Advanced Menu"
  - 4) select the "Networking" and then "Static IP"
  - 5) set up the static IP address, gateway and DNS
  - 6) apply the settings and leave the console menu (logout)
  - 7) connect to the set IP address via the web browser and login to the 2N Access Commander – default login is:
    - username: admin
    - password: 2n



An Axis company

## Technical Parameters

### **Technical parameters of PC**

- Ultra compact PC design – 0.69L(56.1 x 107.6 x 114.4mm)
- Intel Celeron Processor J3160 (2M cache; up to 2.24 GHz)
- 2.5" SSD SATA III Hard Drive (32GB)
- DDR3 SODIMM memory (4GB) – 1.35V, 1600MHz
- Supports dual displays via a VGA and a HDMI port
- Gigabit LAN port for Ethernet connection
- VESA mounting bracket (75 x 75mm + 100 x 100mm)
- System Environment Operating Temperature: 0°C to +35°C
- System Storage Temperature: -20°C to +60°C