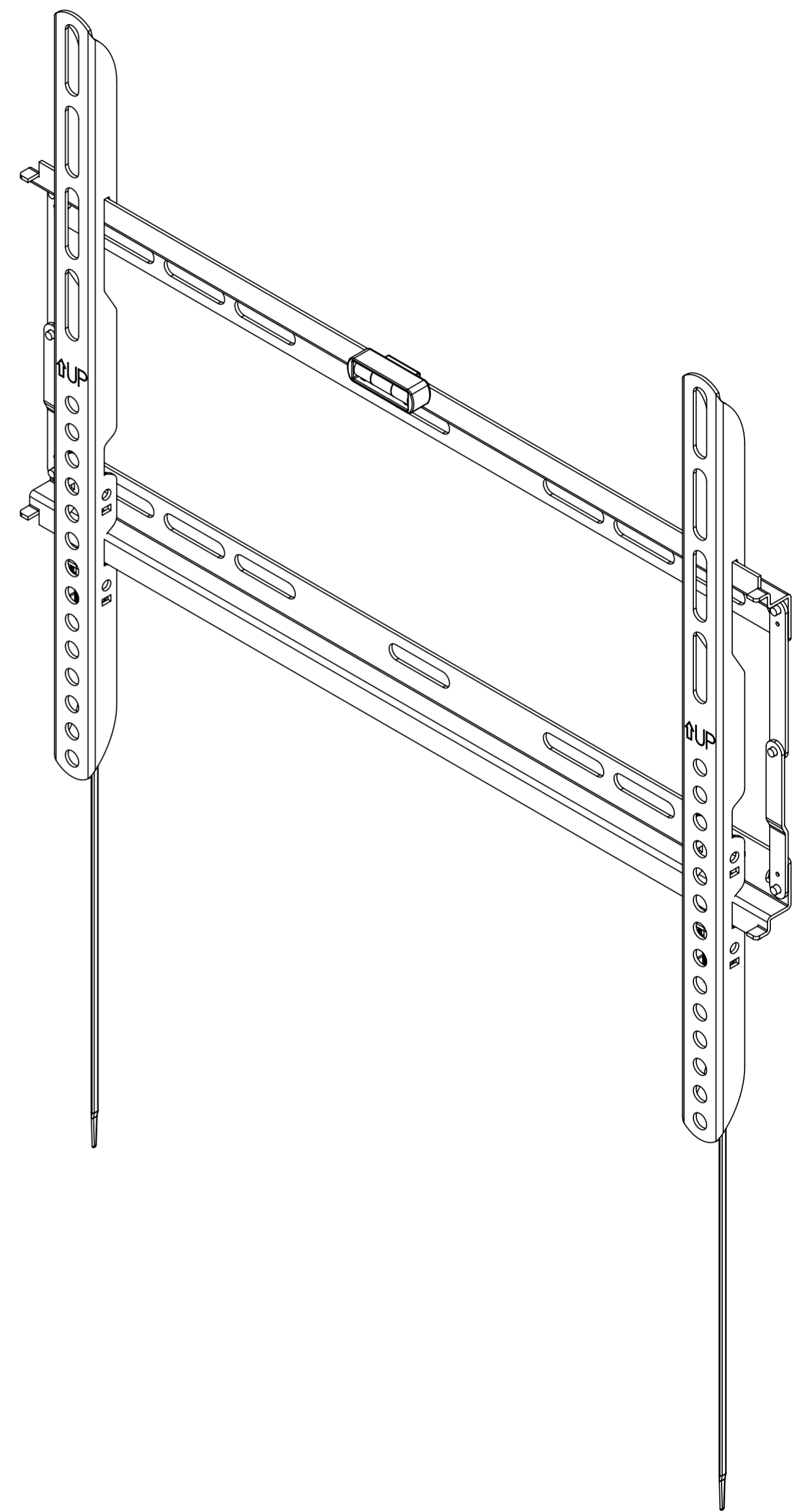
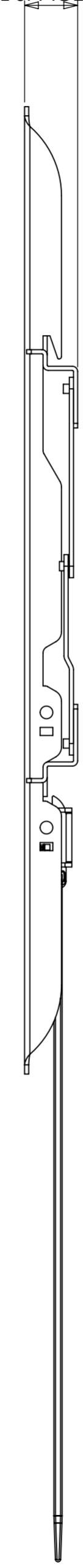


23 MIN
(ADDITIONAL SPACERS INCLUDED)



PRODUCT WEIGHT 1197.49 grams
(AS SHOWN WITHOUT PACKAGING AND FIXINGS)