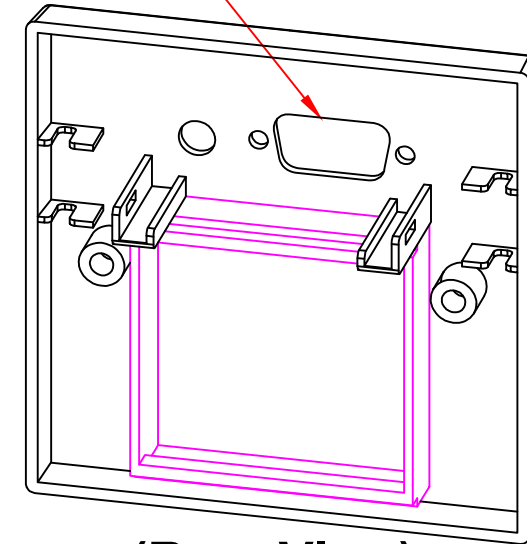
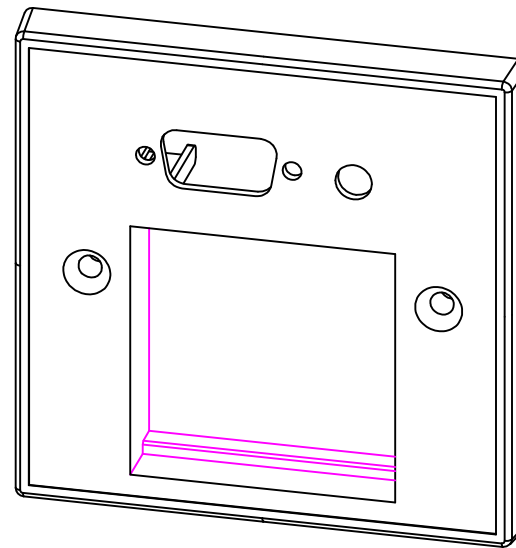
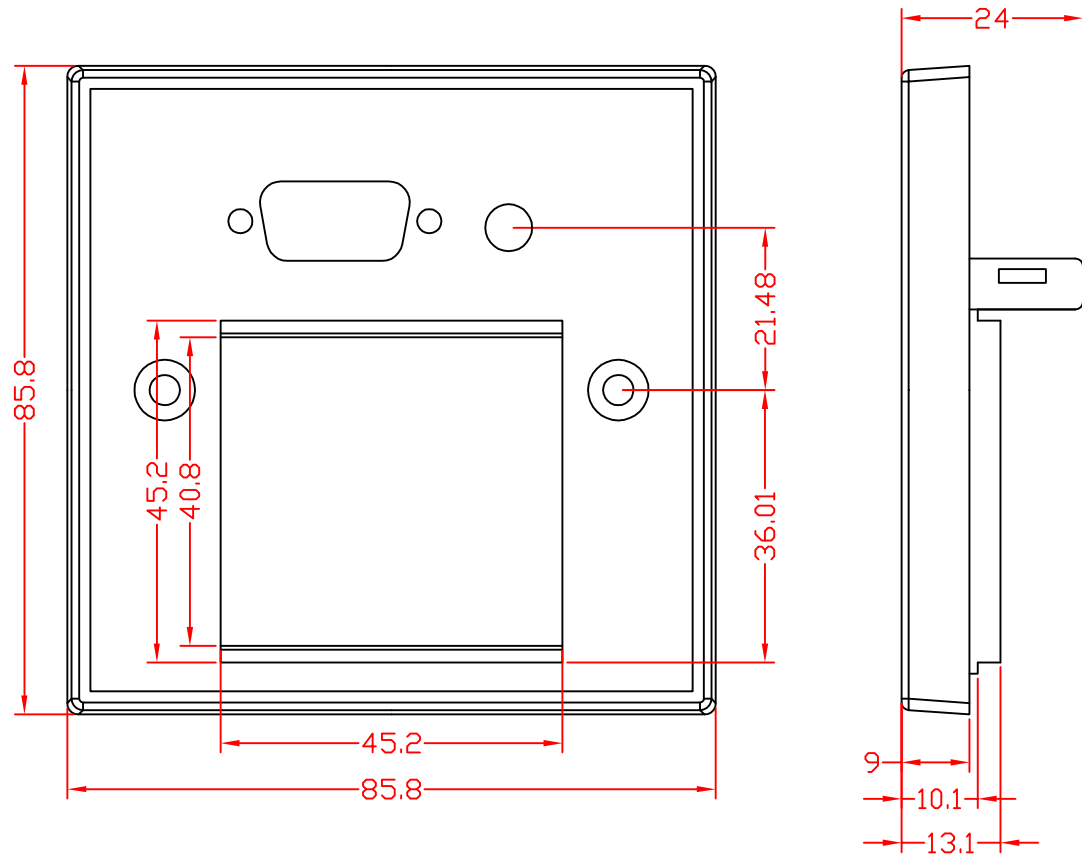
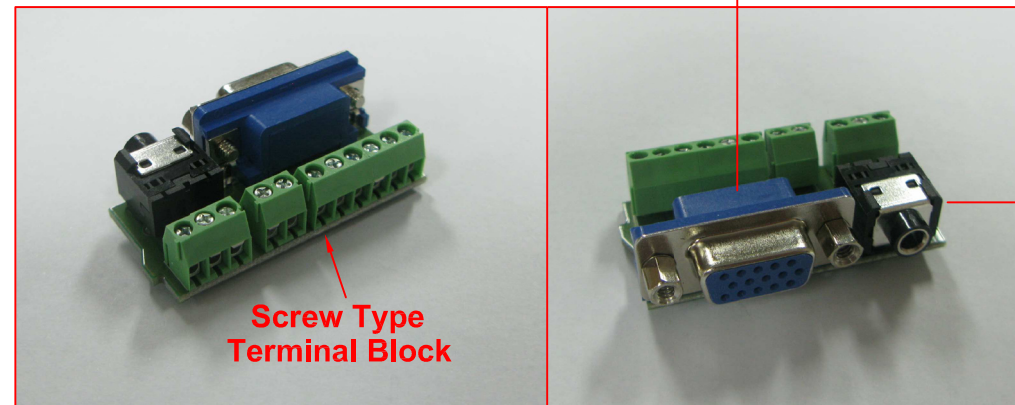
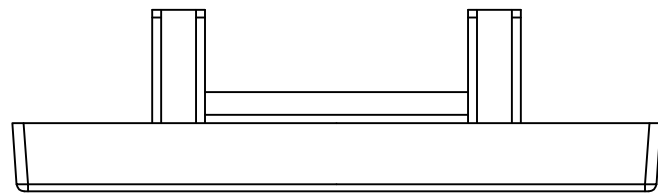


CONFIDENTIAL DOCUMENT! THE INFORMATION CONTAINED IN THIS DRAWING IS THE SOLE PROPERTY OF CIE-GROUP LTD. ANY REPRODUCTION IN PART OR WHOLE WITHOUT THE WRITTEN PERMISSION OF CIE-GROUP LTD IS PROHIBITED.
 The cable assy should comply with the European Parliament and the Council Directive : 2011/65/EU for the restriction of hazardous substances (ROHS). The manufacturer will provide a certification proving the ROHS compliance of the cable assy whenever customer requires such.

ITEM NO: CLB2550VA

- Pin Out:**
- 1 — Red Video
 - 2 — Green Video
 - 3 — Blue Video
 - 13 — Horizontal sync
 - 14 — Vertical sync
 - 4+5+6+7+8 — Ground
 - +10+11+G

- Pin Out**
- 1 — Left Audio
 - 2 — Ground
 - 3 — Right Audio



(Front View)

(Rear View)



CIE-Group Ltd 3 Widdowson Close Blenheim Ind Est Bulwell Nottingham NG6 8WB England
 T: +44(0)115 9770075 F: +44(0)115 9770081 E: info@cie-group.com W: www.cie-group.com

ITEM NO.	CLB2550VA		
PART NO.			
DESIGNED BY	DATE	UNIT	MM
	SCALE 1:1	VER.	1
NO.	Checked by		
APPR:	Approved by -date		

