

EHD150

560 TVL 1/3" Black/White Rugged Vandal Dome



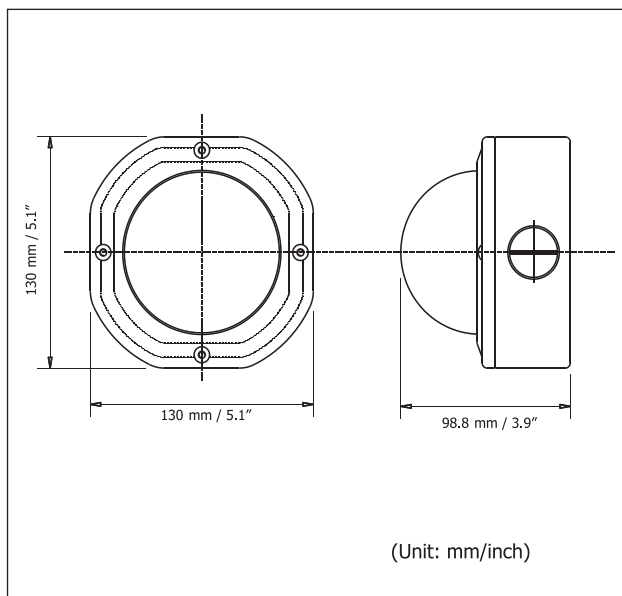
Features

- 1/3" Sony Interline Transfer Super HAD CCD
- Low light sensitivity of 0.06 Lux/F=1.6 (AGC On)
- Designed with advanced Digital Signal Processing (DSP) circuitry for high image quality
- Vandal resistant to withstand the impact of a 10 pound sledgehammer
- Dual voltage
- Heater triggers when temperature falls below 10°C/50°F
- Weatherproof IP66 rated
- Suitable for any outdoor application

Specifications

Pickup Device	1/3" Sony Interline Transfer Super HAD CCD
Video Format	NTSC/PAL
Picture Format	768 x 494 (NTSC) / 752 x 582 (PAL)
Horizontal Resolution	560 TVL
Sensitivity	0.06 Lux / F=1.6
Video Output	BNC 1.0Vp-p, 75ohm
S/N Ratio	Over 48dB (AGC Off)
Sync. Mode	Line Lock/Internal Sync.
Electronic Shutter	1/50 (1/60) ~ 1/100,000
Gamma Correction	0.45
Backlight Comp.	On/Off Switch
Auto Gain Control	On/Off Switch
Lens	f=3.5~8mm, 9~22mm, 2.9~10mm lens
Power Source	12VDC/24VAC
Power Consumption	24VAC: 20.5W max/ 6W max. (w/heater) 12VDC: 11.5W max/4W max. (w/out heater)
Dimensions (W x H x D)	130 x 98.9 x 130 mm / 5.1" x 3.9" x 5.1"
Weight	1.7 kg / 3.7 lbs
Operating Temp.	-40°C ~ 50°C / -40°F ~ 122°F
Weatherproof	IP66 rated

Dimensions



Ordering Information

- **EHD150/E-1:** 560 TVL, B/W Rugged Vandal Dome, IP66, 3.5~8mm lens
- **EHD150/E-2:** 560 TVL, B/W Rugged Vandal Dome, IP66, 9~22mm lens