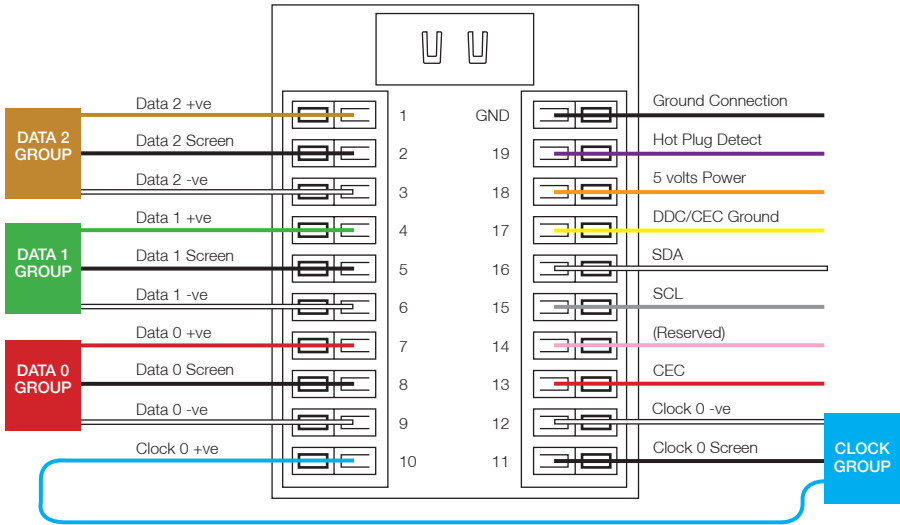


HDMI-FRL Wiring Diagram

For use with Clever Little Box Products

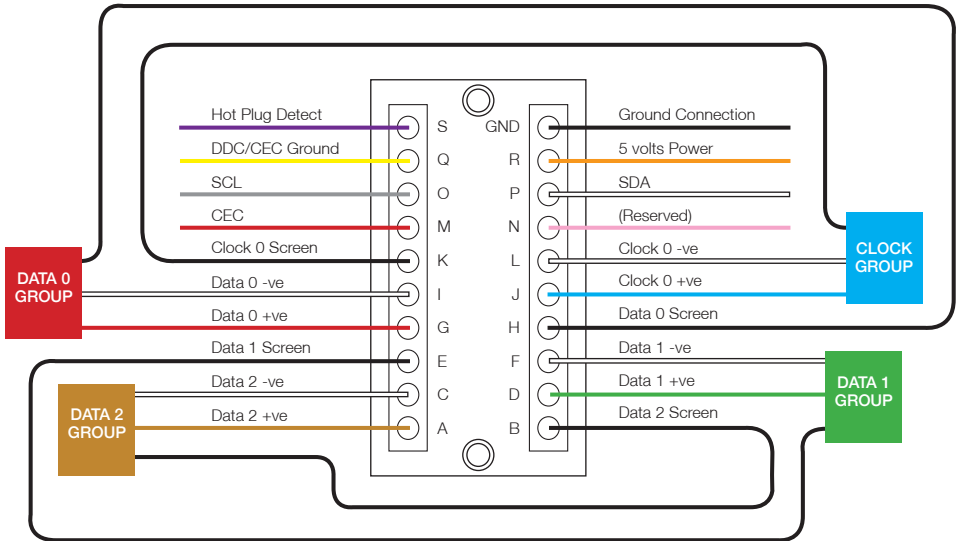


For Use On Parts:

- CLB45-HDMI-180-F/F
- CLB45-HDMI-90-F/F
- CLB45-HDMI-T
- CLB50-HDMI-180-F/F
- CLB50-HDMI-90-F/F
- CLB50-HDMI-T

* Please note that when terminating HDMI-FRL cables to the Conec2 Module range, Ferrule-end sleeves will first need to be removed.

HDMI



- * Using Clever Little Box HDMI-FRL Series cables ONLY
- * For use on part CLB-HDMIPCBUNIT