



# IP-A750TX & IP-A750RX

Audio over IP Transmitter or Receiver for IP-7000 series



The IP-A750TX (& RX) takes advantage of Audio over IP's flexibility for all installation environments, ideal for audio-only zones within a larger AV over IP system. These products feature Analogue (Line in and Mic in) and Digital In (S/PDIF and TosLINK®) for added flexibility and, with the use of our intuitive IP-CS7 controller, allow the user to easily extend the connection between an audio source and an audio playback device via a 1Gb Local Area Network.

The advantage of Audio over IP is that it can flexibly route the audio and use cost effective CAT cable. This greatly reduces the cost of wiring and improves the user experience.

These Audio-over-IP products fully integrate into CYP's full 1Gb AV over IP system.

## PANELS

### Transmitter



Front View



Rear View

### Receiver

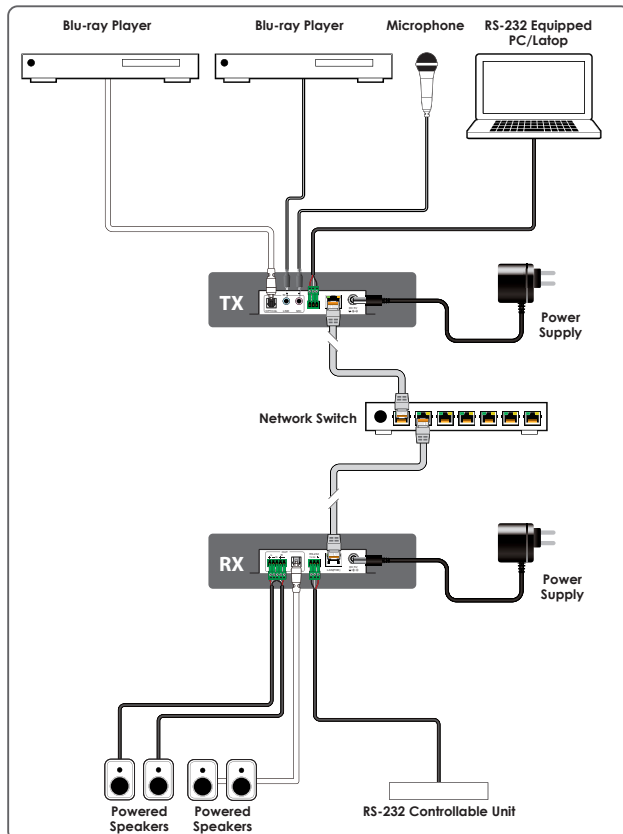


Front View



Rear View

## DIAGRAM



## FEATURES

- Extend analogue and digital audio over an IP network with 100m (330ft) of CAT 5/6 cable between TX/RX and network switch.
- Compatible with IP-CS7 Controller to allow creation of video matrix switch using multiple Video-Over-IP Extender products. In order to achieve this, require commands to integrate with IP-CS7 discovery and robust TCP/UDP command set.
- IP to RS-232 bridging feature will allow users to control serial equipped devices using IP enabled control interfaces.
- The IP-CS7 Software integration for device discovery, configuration, monitoring, and firmware upgrading. IP-CS7 has to control the unit via web interface.
- Field-updatable firmware. (Note: Power cannot be removed during bootloader updating.)

## SPECIFICATIONS

### Interfaces

<b>Input Port</b>	TX 1 Optical 1 Line (3.5mm) 1 Mic (3.5mm)
<b>Bi-directional Port</b>	1 GbE LAN (RJ-45)
<b>Control I/O</b>	1 RS-232 (3-pin Terminal Block)
<b>Output Port</b>	RX 1 Optical 1 Analogue Audio (5-pin Terminal Block)
<b>Bi-directional Port</b>	1 GbE LAN (RJ-45)
<b>Control I/O</b>	1 RS-232 (3-pin Terminal Block)

### Audio

<b>Optical In</b>	LPCM (2 Channels), Bitstream
<b>Line In</b>	2 Vrms S/N Ratio: > 98dB (1kHz with 0dBFS)
<b>Mic In</b>	2 Vrms S/N Ratio: > 82dB (1kHz with 0dBFS)
<b>Optical Out</b>	LPCM (2 Channels), Bitstream
<b>Line Out</b>	4 Vrms

### Power

<b>Power Supply</b>	5V/2.6A DC (Locking)
<b>Power Consumption</b>	2.27W

### Enclosure

<b>Chassis Material</b>	Metal (Aluminum)
<b>Chassis Colour</b>	Black
<b>Dimensions (W×H×D)</b>	108mm×25mm×108mm [Case Only] 108mm×25mm×116mm [All Inclusive]
<b>Weight</b>	671g(Tx) 671g(Rx)

### Field Firmware Update

WebGUI

## ORDERING INFORMATION

Model No.	Product Description
IP-A750TX	Audio over IP Transmitter
IP-A750RX	Audio over IP Receiver
IP-CS7	AV over IP Master Controller