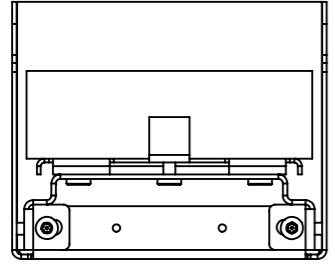
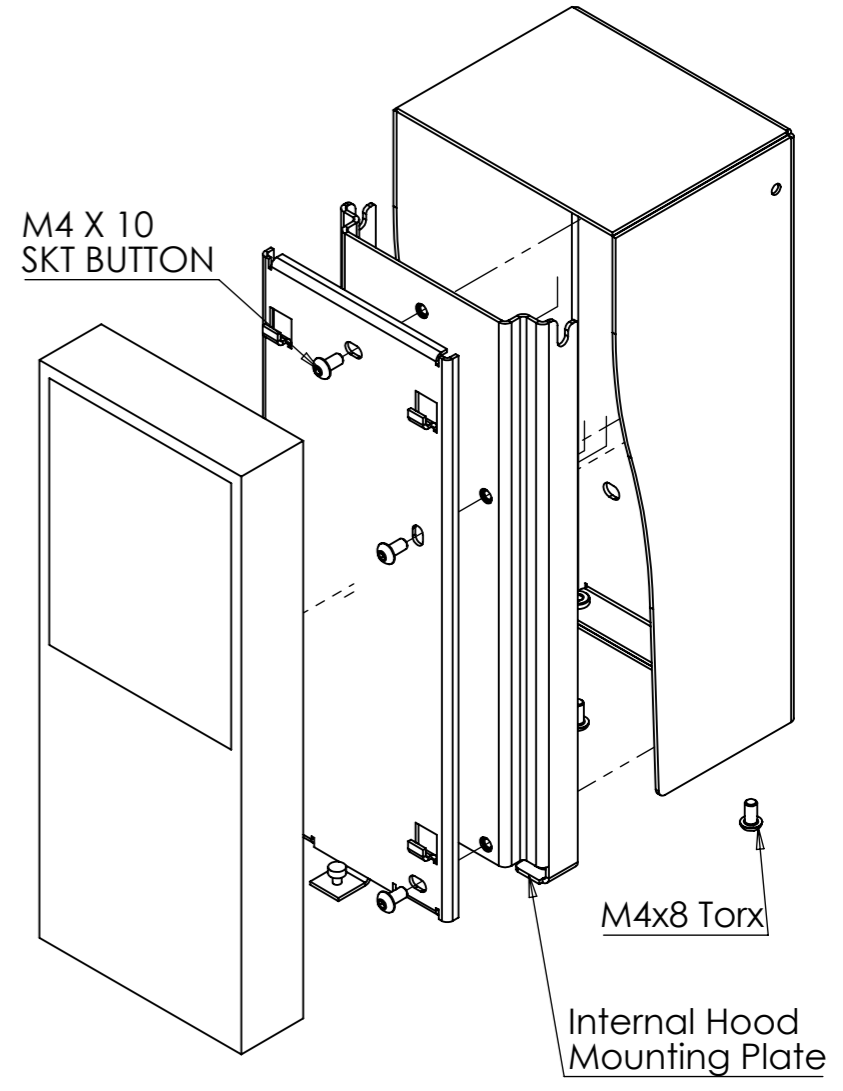
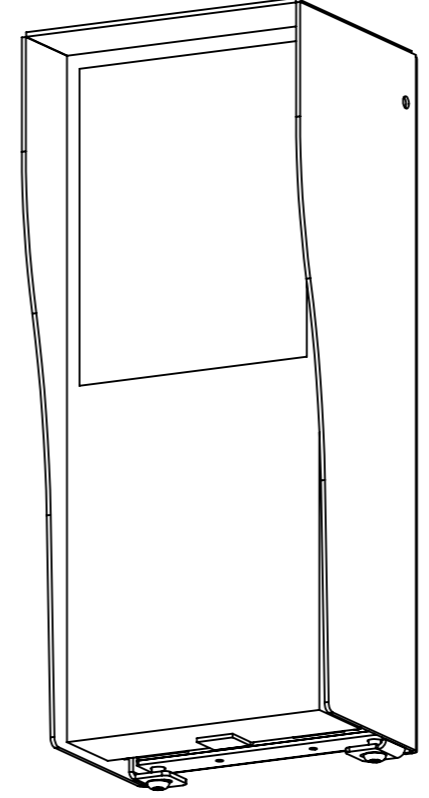
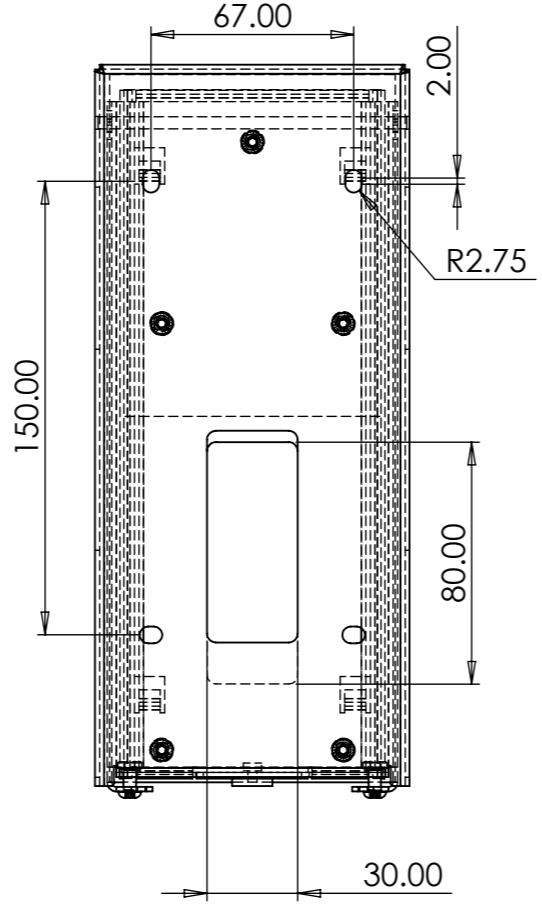
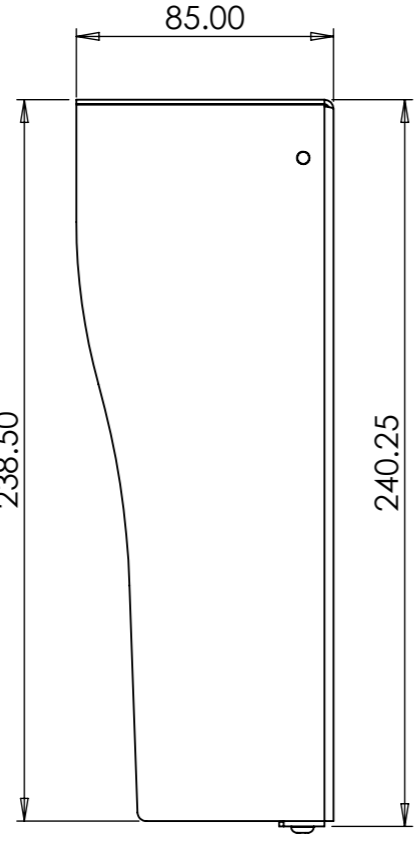
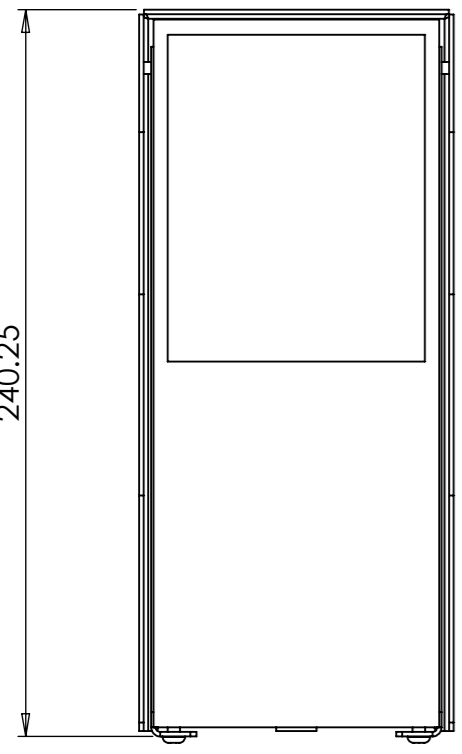
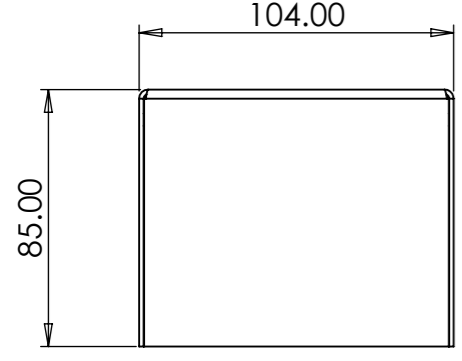


A3

DRG.NO. CIE0014



- Notes**
1. All Burrs & Sharp edges must be removed
  2. All Dimensions Are Prior To Adding a Finish

WELDING: None	HANG LOCATION: None Specific				
SPECIFIC TAG LOCATION: No	PEM BEFORE FOLDING: NO	TWO	16/05/2022	EAT	Cable Aperture Extended by 40mm
FINISH: Satin Black Powder	MATERIAL: Mild Steel	ONE	05/05/2022	EAT	
SCALE: 1:2.5	DRAWN BY: EAT	MOD NO.	DATE	BY	MODIFICATION



TOLERANCES UNLESS OTHERWISE STATED:

WHOLE NUMBERS	I.E. 35	±0.5mm
ONE DECIMAL	I.E. 35.1	±0.2mm
TWO DECIMALS	I.E. 35.10	±0.1mm
ANGULAR		±0.5°

\* DENOTES A DIMENSION ON CENTRE LINE WITH A POSITIONAL TOLERANCE OF 50% OF THE DIMENSION TOLERANCE

ALL DIMENSIONS ARE IN mm

DO NOT SCALE FROM THIS DRAWING IF IN DOUBT - ASK

SHEET 1 OF 1	CHECKED BY:	TITLE: X912 Rain Hood
PROJECT NO: 1411	DATE: 05/05/2022	DRG NO: CIE0014