

DCT-15

Audio Converter with Optical

Operation Manual



DCT-15

• **Disclaimers**

The information in this manual has been carefully checked and is believed to be accurate. Cypress Technology assumes no responsibility for any infringements of patents or other rights of third parties which may result from its use.

Cypress Technology assumes no responsibility for any inaccuracies that may be contained in this document. Cypress also makes no commitment to update or to keep current the information contained in this document.

Cypress Technology reserves the right to make improvements to this document and/or product at any time and without notice.

• **Copyright Notice**

No part of this document may be reproduced, transmitted, transcribed, stored in a retrieval system, or any of its part translated into any language or computer file, in any form or by any means - electronic, mechanical, magnetic, optical, chemical, manual, or otherwise - without express written permission and consent from Cypress Technology.

© Copyright 2009 by Cypress Technology.

All Rights Reserved.

Version 1.0 October 2009

• **Trademark Acknowledgments**

All products or service names mentioned in this document may be trademarks of the companies with which they are associated.

• **Safety Precautions**

Please read all instructions before attempting to unpack or install or operate this equipment, and before connecting the power supply. Please keep the following in mind as you unpack and install this equipment:

- Always follow basic safety precautions to reduce the risk of fire, electrical shock and injury to persons.
- To prevent fire or shock hazard, do not expose the unit to rain, moisture or install this product near water.
- Never spill liquid of any kind on or into this product.
- Never push an object of any kind into this product through module openings or empty slots, as you may damage parts.
- Do not attach the power supply cabling to building surfaces.
- Do not allow anything to rest on the power cabling or allow it to be abused by persons walking on it.
- To protect the equipment from overheating, do not block the slots and openings in the module housing that provide

• **Revision History**

<u>Version No</u>	<u>Date</u>	<u>Summary of Change</u>
V1	20100607	Preliminary Release

Table of Contents

1. Introduction.....	1
2. Applications.....	1
3. Package Contents	1
4. System Requirements.....	1
5. Features	1
6. Specifications	1
7. Operation Controls and Functions.....	2
7.1 Front Panel.....	3
7.2 Rear Panel	3
8. Connection and Installation	4

1. Introduction

USB Audio converter with optical is an useful device for your external audio output. It is designed to easy fit with the current most use sources with input of USB or optical and powered by USB. The optical output can be linked with amplifier or any sound system that's with SPDIF input in the meantime, the R/L can still be linked to display or speakers for the simultaneous stereo output. The USB Audio Converter with Optical is your best choice for sound entertainment.

2. Applications

- External audio performance
- Digital to analog audio conversion
- USB to audio conversion

3. Package Contents

- Audio Box
- Operation Manual

4. System Requirements

PC or laptop with USB ables and or other source input such asDVD player with optical cable. Output to amplifierand or active speaker with optical and RCA cables.

5. Features

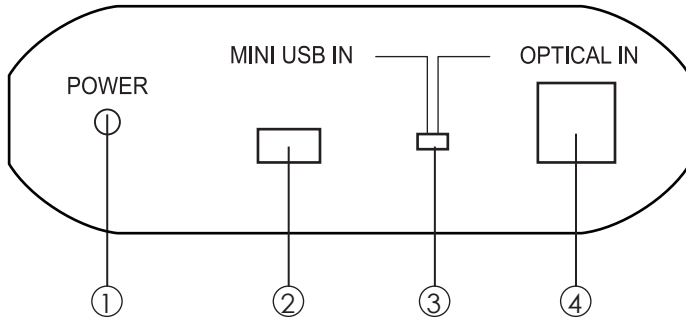
- USB 2.0 full speed compatible
- USB audio device class specification v1.0 Compatible
- USB High performance 16-bit Stereo, 48/44.1 kHz sampling rate for audio playback
- Optical sampling rate supports up to 192 kHz, 24bit
- Low power consumption

6. Specifications

Input Port	Optical and Mini USB
USB Sampling Frequency	48/44.1KHz / 16 bits
Optical Sample Frequency	Up to 192 kHz / 24 bits
Output Port	Optical and R/L
ESD Protection	Human body model: $\pm 8\text{kV}$ (air-gap discharge) $\pm 6\text{kV}$ (contact discharge)
Dimensions(mm)	90 (W) x 120 (D) x 25(H)
Weight(g)	250
Chassis Material	Plastic
Silkscreen Color	Black
Operating Temperature	0°C~40°C / 32°F~104°F
Storage Temperature	-20°C~60°C / -4°F~140°F
Power Consumption	1W
Relative Humidity	20 ~ 90% RH (non-condensing)

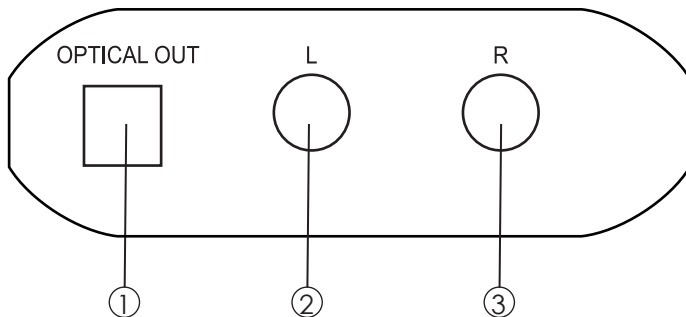
7. Operation Controls and Functions

7.1 Front Panel



- ①. Power LED: This red LED will illuminate when the device is connected with power supply.
- ②. Mini USB In: This slot is where you connect input audio source .signal or for power supply with USB cable from the PC or notebook.
- ③. USB & OPTICAL Switch: This switch allows user to choose input audio source from USB or from Toslink.
- ④. OPTICAL IN: This slots is where you connect the input audio source signal from DVD or PS3 and etc with optical cable.

7.2 Rear Panel



- ①. OPTICAL OUT: This slot is where you connect the amplifier or speaker with optical cable for audio output.
- ②. L/R OUT: These slots are where you connect the speaker with RCA cables for audio output.

8. Connection and Installation

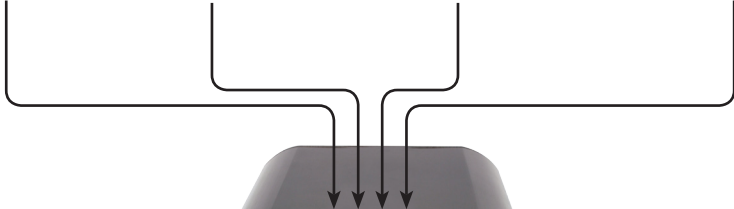


PC

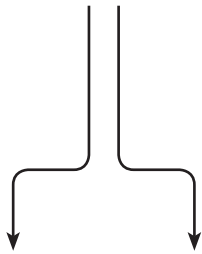
NB

DVD

BlueRay



DCT-15



ONKYO AMP

Active Speaker

Acronyms



Acronym	Complete Term
USB	Universal Serial Bus



CYPRESS TECHNOLOGY CO., LTD.
Home page: <http://www.cypress.com.tw>