

CD-610U

USB / CD / Multi Source Player

The CD-610U was designed from Inter-M's 30 years of research and development experience in Sound Equipment products. The CD-610U is a multisource player that can playback both CD's and Audio files stored on a USB Stick. Supported USB file formats are MP3, WMA and WAV.

A 24V DC back up supply connection allows for uninterrupted playback in the event of power failure.



CD-610U

USB / CD / Multi Source Player

“High Performance at affordable price”

The CD-610U uses high-quality audio DAC chip. Among the supported media are CD, MP3 WMA, WAV and USB. An RS-232 port offers 3rd party remote control capability.





The CD-610U uses high-quality audio DAC chip. Among the supported media are CD, MP3 WMA, WAV and USB. An RS-232 port offers 3rd party remote control capability.



»»» CD-610U

The CD-610U offers high quality playback of multi-format audio on CD, and removable USB Drive. Inter-M raises the quality standard of CD players by using only high-quality DACs and broadcast quality balanced output stages. 3rd party control such as crestron and AMX is possible via RS232 control. The CD-610U is a high-quality yet affordable CD/MP3 player. A 24V DC back up supply connection allows for uninterrupted playback in the event of power failure.

CD-610U

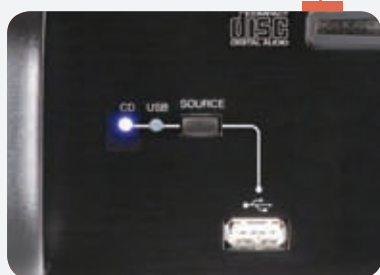
USB / CD / Multi Source Player

CD PLAYER : 3-beam Pick-Up Robust state-of-the-art transport mechanisms

CD-610U uses state of the art anti-shock transport mechanism similar to those used in the automotive industry. Stable skip free CD playback makes the CD-6208 ideal for broadcast and professional venues as well as applications shock free playback is required.



[REAR PANEL]



USB Playback

The CD-610U can easily playback file stored on a USB Drive in formats including MP3, WMA and WAV.



DC 24V

A 24V DC back up supply connection allows for uninterrupted playback in the event of power failure.



SWITCH MODE POWER SUPPLY DESIGN

SMPS power supply design ensures smooth and rich sound reproduction.

VARIOUS FORMAT OUTPUTS

The CD-610U multiple output formats including SPIDF and Optical. Analogue playback outputs are available on stereo un-balanced audio on RCA connectors. A mono summed output is available on an XLR-M connector optimized for mono-environment applications such as BGM.

AMX/Crestron and Inter-M Systems external remote Control

A user –friendly front panel interface combined with RS-232 Control port compatible with AMX, Crestron, Inter-m Systems and other 3rd party controllers capabilities provide exceptional control and ease of use

FIRMWARE UPDATE

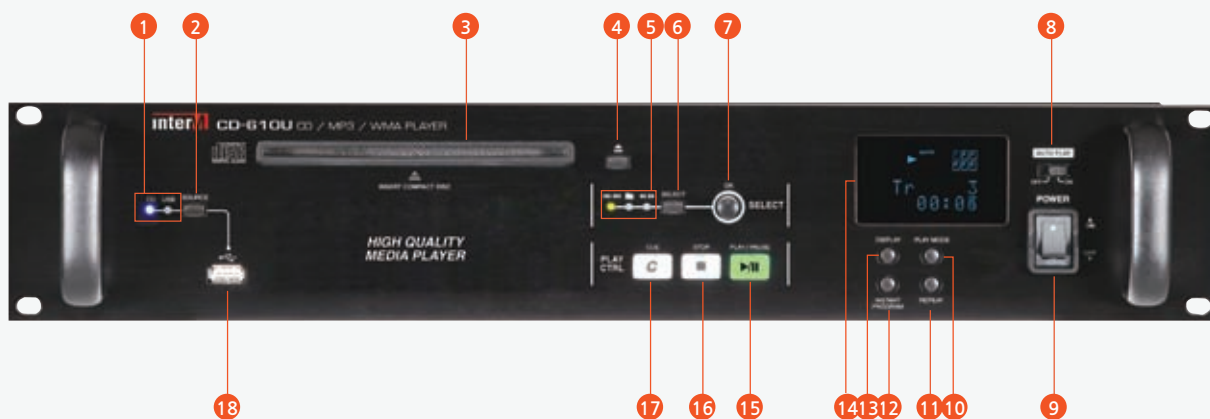
The CD-610U comes complete with feature rich performance. New features can be added and upgraded via easy to install Firmware updates. Firmware can be updated be downloaded from the inter-m’s website as they become available. Performance can be sustained.



CD-610U

USB / CD / Multi Source Player

FRONT / REAR PANEL



1 SOURCE SELECTION LED	5 SELECT LED	9 POWER SWITCH	13 DISPLAY BUTTON	17 CUE
2 SOURCE SELECTION	6 SELECT BUTTON	10 PLAY MODE	14 DISPLAY	18 USB
3 MEMORY DISK INSTANT PLAY	7 ENCODER SWITCH	11 REPEAT BUTTON	15 PLAY/PAUSE	
4 EJECT BUTTON	8 AUTO PLAY SWITCH	12 PROGRAM BUT-TON	16 STOP	



1 AC INLET	3 DC INPUT	5 RCA OUTPUT SOCKET
2 RS-232 INTERFACE SOCKET	4 MONO OUTPUT SOCKET	



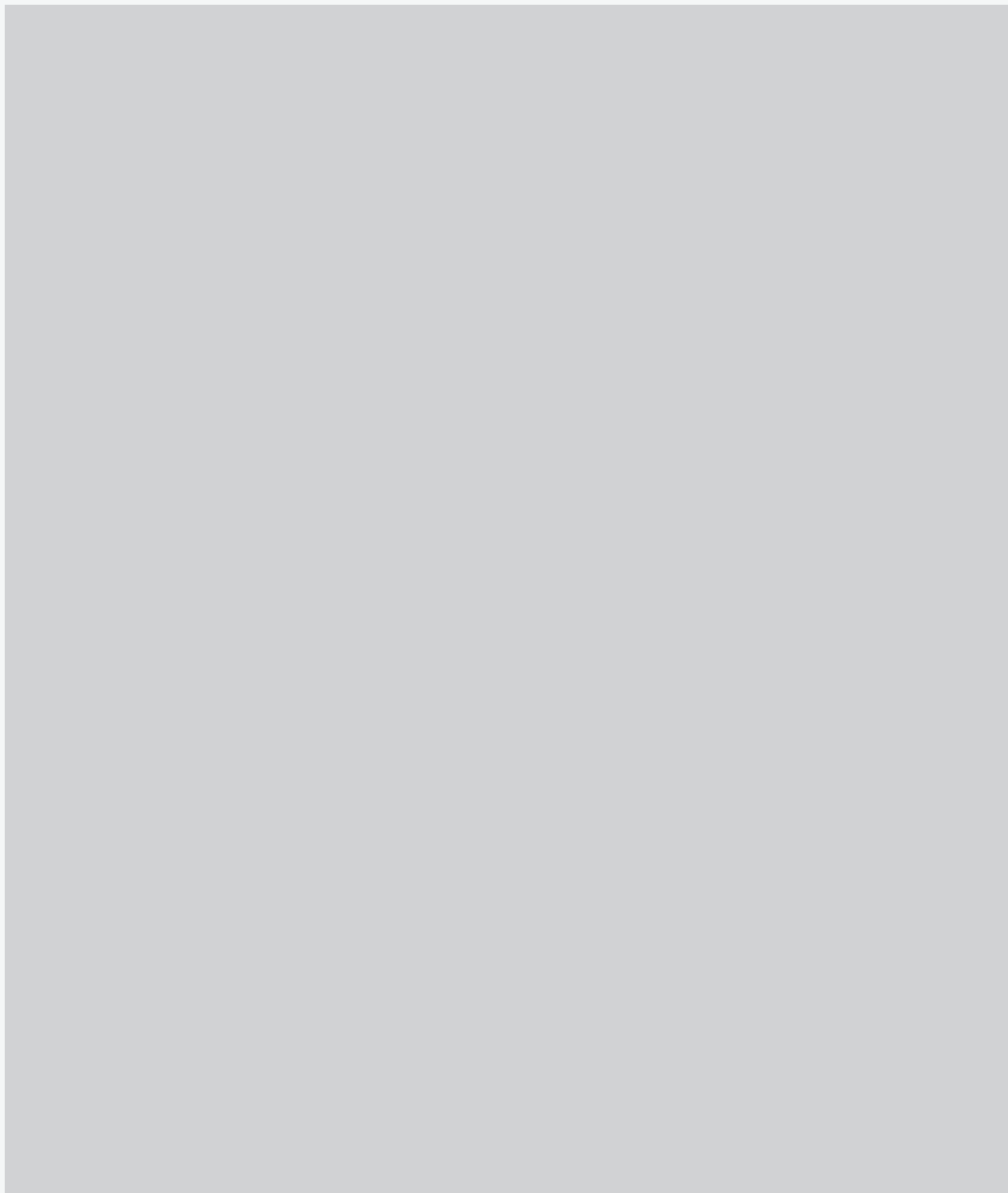
INTER-M CD Player Line-up

<p>[CD-611]</p> 	<ul style="list-style-type: none"> • SLOT-IN TYPE 1 disk CD PLAYER • This CD payer uses shock absorbers type mechanism from the automotive industry for skip free stability • Uses high-quality DAC • Molded aluminum elegant design • CD-DA / MP3 / WMA • AMX, CRESTRON INTERFACE (RS-232) support • IR REMOTE CONTROL • Analog output: STEREO (XLR, RCA) / MONO (XLR) and HEADPHONE • Digital output: TOS LINK / RCA (SPDIF) • Voltage and Power Consumption: AC 117 /220V 60Hz, 18W (standby: 1W or less) • Dimension and weight: 482 (W) x 88 (H) x 380 (D) mm, 5.8kg
<p>[CD-6208]</p> 	<ul style="list-style-type: none"> • Virtual Disk • SD Memory Player • INSTANT PLAY • AUTO PLAY • PITCH • CUE • Multifunction encoders • Sound quality-driven circuit design • HiFi headphone Monitoring • High operating reliability • 3rd party serial remote control : AMX / CRESTRON / INTER-M • Dimension and Weight 482(W) x 88(H) x 280(D)mm / 19(W)x3.5(H)x11(D) in / 5.3kg / 11.7lb
<p>[CDR-01]</p> 	<ul style="list-style-type: none"> • SD Recorder • SD Memory Player • Auto Play • CUE • Multifunction encoders • Sound quality-driven circuit design • HiFi headphone Monitoring • AES / EBU output support • High operating reliability • 3rd party serial remote control AMX / CRESTRON / INTER-M • Dimension and Weight 482(W) x 88(H) x 280(D)mm / 19(W)x3.5(H)x11(D) in / 5.3kg / 11.7lb • Virtual Disk • Instant Play • Pitch

CD-610U

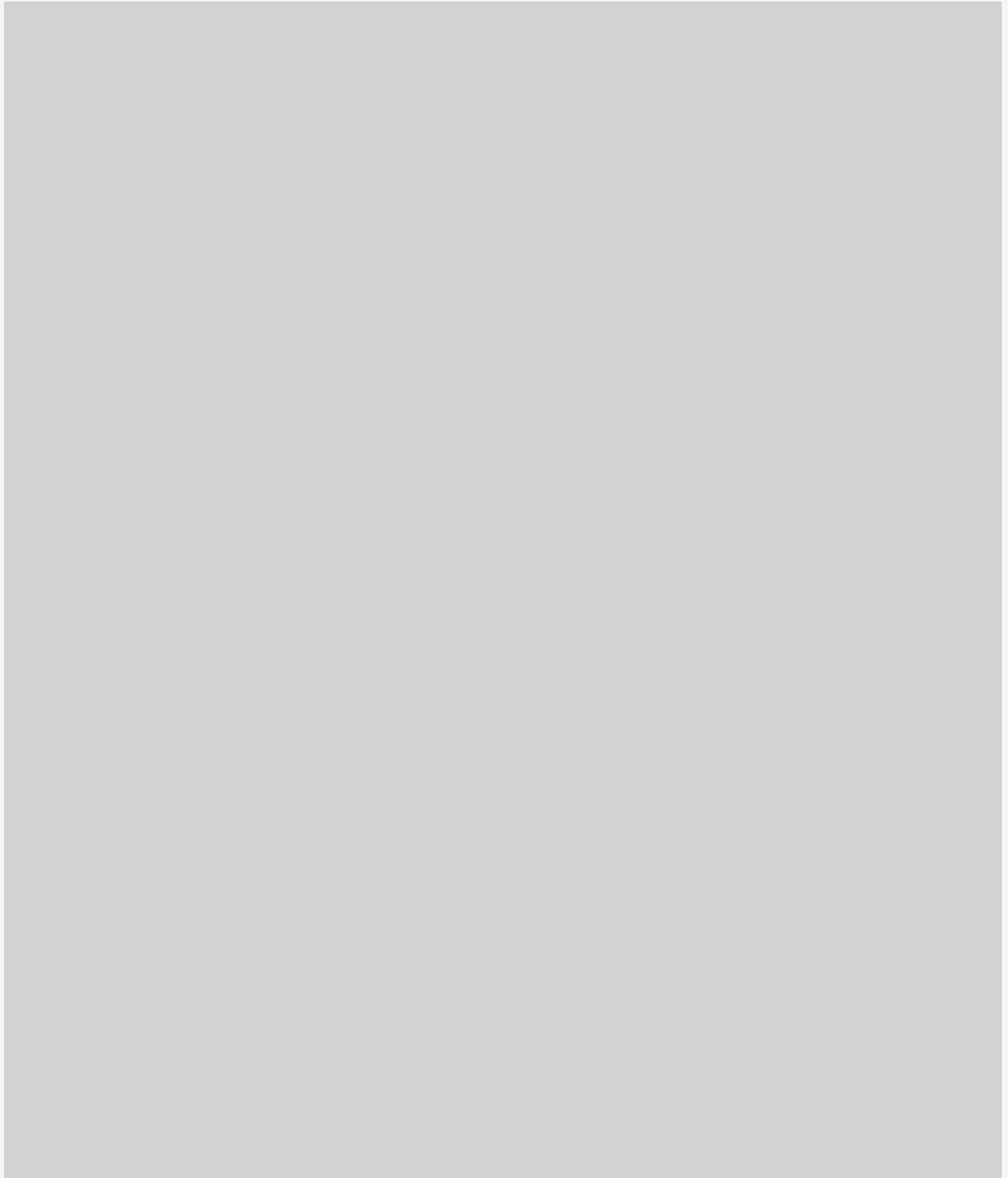
USB / CD / Multi Source Player

»»» NOTE





»»» NOTE

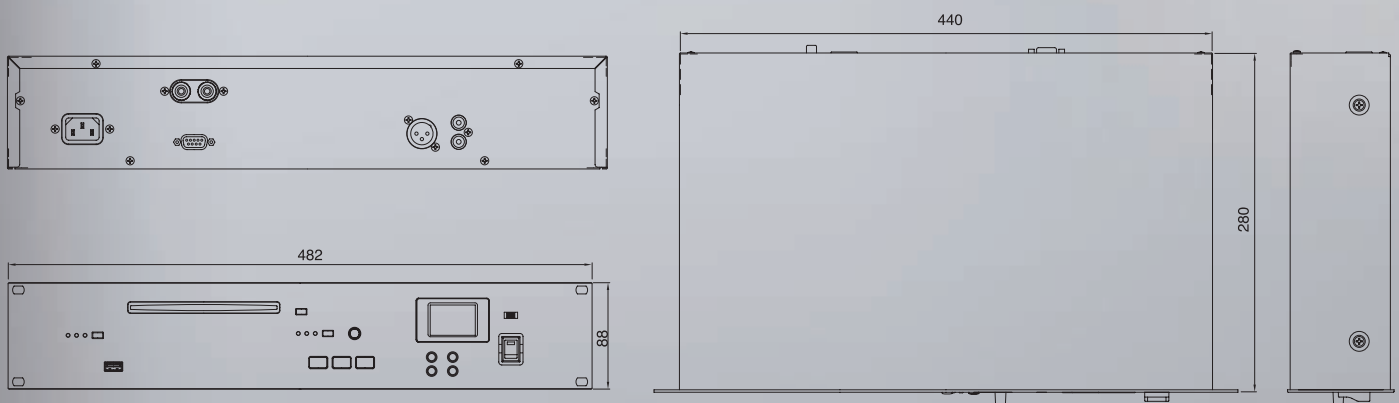


Specification

DISC -CD, CD-R, CD-RW	12cm
Number of channels	3 channels (L, R, Mono)
Frequency Response (20Hz~20kHz) -CD, Pitch Off	+0.5/-1.0dB
T.H.D. (20kHz LPF) -CD, 1kHz, Pitch Off	Less than 0.01% (Nor), 0.03% (Lim)
S/N (20kHz LPF, A-WTD) -CD, Pitch Off	Better than 84dB (Nor), 80dB (Lim)
Analog Output Level (Max)	+6dBV±2dB (2Vrms)
Analog Output Connectors	RCA: L/R, XLR:MONO
Formats	Audio CD (CD-DA), MP3, WMA
Operation Temperature	-10°C ~ +40°C / 14°F ~ 104°F
Power Source	USA/CANADA 120VAC, 60Hz / DC 24V UK/Europe 230VAC, 50Hz / DC 24V Australia 240VAC, 50Hz / DC 24V
Power Consumption	12W
Weight (SET)	4.7kg / 10.4lb
Dimensions (SET)	482(W) x 88(H) x 280(D)mm / 19.0(W) x 3.46(H) x 11.02(D) in

※ Specifications and design are subject to change without notice.

Dimension



interM

Inter-M Corp. (IMK)

653-5 Banghak-Dong, Dobong-Ku, Seoul, Korea
Overseas Sales Team

Tel_ +82-2-2289-8141~7 Fax_ +82-2-2289-8149 E-mail_ overseas@inter-m.com

www.inter-m.com

※ Design and specification are subject to be changed without pre notice.

2013. 3