

# *CP-268S*

## *DVI/Coaxial to*

### *HDMI Converter*

Operation Manual



# TABLE OF CONTENTS

<b>1. Introduction</b> .....	1
<b>2. Features</b> .....	1
<b>3. Package Contents</b> .....	1
<b>4. Operation Controls and Functions</b> .....	2
4.1 Front Panel.....	2
4.2 Rear Panel.....	3
<b>5. Pin Configuration</b> .....	3
<b>6. HDMI Output Pin Assignment</b> .....	3
6.1 General Specification.....	3
6.2 Support Resolution.....	3
<b>7. Specifications</b> .....	4

## **1. Introduction**

This converter box is converts DVI/Coaxial to HDMI output. It enables to connect the DVI source and digital audio to a HDMI digital display. This converter box also does signal amplification and equalization for incoming TMDS data before re-transmitting them with optimal quality regardless of the incoming signal quality.

## **2. Features**

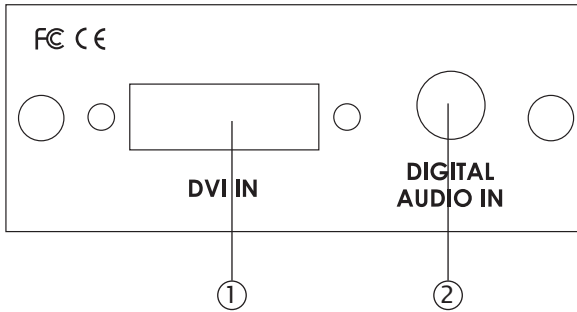
1. HDMI 1.2, HDCP 1.1 and DVI 1.0 compliant.
2. Supports DVI/Coaxial input and HDMI output.
3. Input format auto detection: Digital RGB or YPbPr.
4. Coaxial input supports LPCM 2CH, Dolby Digital 5.1CH and DTS 5.1CH digital audio.
5. Full HDCP compliant.
6. Operation Frequency: 165MHz
7. Frequency Bandwidth: 1.65Gbps (single link).
8. Supports audio sampling frequencies: 32, 44.1 and 48kHz.
9. Supports high resolution input/output:  
PC: VGA@60/72/75/85Hz, SVGA@60/72/75/85Hz,  
XGA@60/70/75/85Hz, SXGA@60/75/85Hz, UXGA@60Hz.  
SD/HD: 480i/p@60Hz, 576i/p@50Hz, 720p@50/60Hz, 1080i@50/60Hz  
and 1080p@24/50/60Hz.
10. Easy to install and simple to operate.

## **3. Package Contents**

1. DVI/Coaxial to HDMI Converter
2. 5V DC power supply adaptor
3. Operation Manual

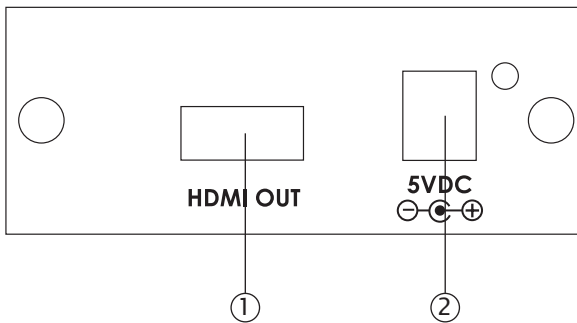
## 4. Operation Controls and Functions

### 4.1. Front Panel



1. DVI input: Connect the DVI input port to the DVI output port of your source equipment such as DVD player or set-top-box. It supports only DVI-D signal via a DVI-I connector.
2. Coaxial input: Connect the Coaxial input port to the audio output of your digital audio equipment.

### 4.2 Rear Panel

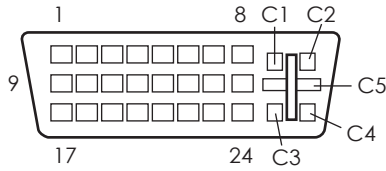


1. HDMI output: Connect the HDMI output port to the HDMI input port of your HDMI display.
2. Power: Plug the 5VDC power supply into the unit and connect the adaptor to AC wall outlet.

## 5. Pin Configuration

### A. DVI-D Input Pin Assignment

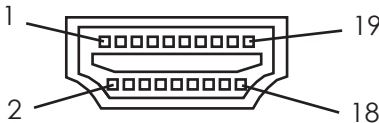
DVI-Digital(DVI-D): Supports digital-only connections between the host computer and display. This interface is designed for a 12 or 24-pin connection to enable single or dual-link mode activation.



**Digital only connector pin assignments**

Pin	Signal Assignment	Pin	Signal Assignment	Pin	Signal Assignment
1	T.M.D.S Data2-	9	T.M.D.S Data1-	17	T.M.D.S Data0-
2	T.M.D.S. Data2+	10	T.M.D.S. Data1+	18	T.M.D.S. Data0+
3	T.M.D.S. Data2 Shield	11	T.M.D.S. Data1 Shield	19	T.M.D.S. Data0 Shield
4	N.C.	12	N.C.	20	N.C.
5	N.C.	13	N.C.	21	N.C.
6	DDC Clock	14	+5V Power	22	T.M.D.S. Clock Shield
7	DDC Data	15	Ground (for +5V)	23	T.M.D.S. Clock+
8	No Connect	16	Hot Plug Detect	24	T.M.D.S. Clock-
C1	N.C.	C2	N.C.	C3	N.C.
C4	N.C.	C5	N.C.		

### 6. HDMI Output Pin Assignment



Pin#	Function Assignment	Pin#	Function Assignment
1	TMDS Data2+	2	TMDS Data2 Shield
3	TMDS Data2-	4	TMDS Data1+
5	TMDS Data1 Shield	6	TMDS Data1-
7	TMDS Data0+	8	TMDS Data0 Shield
9	TMDS Data0-	10	TMDS Clock+
11	TMDS Clock Shield	12	TMDS Clock-
13	CEC	14	Reserved (N.C. on device)
15	SCL	16	SDA
17	DDC/CEC Ground	18	+5V Power
19	Hot Plug Detect		

## 7. Specifications

Input ports	1 x DVI (only DVI-D supported) , 1 x Coaxial (S/PDIF)
Output port	1 x HDMI
Power Supply	5V/1A DC (US/EU standards, CE/FCC/UL certified)
Dimensions (mm)	105(W) x 76(D) x 30(H)
Weight(g)	188
Chassis Material	Aluminum
Silk Skin Color	Silver
Operating Temperature	Operating from 0°C ~ 48°C





**CYPRESS TECHNOLOGY CO., LTD.**

Home page: <http://www.cypress.com.tw>

20080324 MPM-CP268S