



CR-TG1

Trigger Keypad With 8 Buttons

OPERATION MANUAL

SAFETY PRECAUTIONS

Please read all instructions before attempting to unpack, install or operate this equipment and before connecting the power supply.

Please keep the following in mind as you unpack and install this equipment:

- Always follow basic safety precautions to reduce the risk of fire, electrical shock and injury to persons.
- To prevent fire or shock hazard, do not expose the unit to rain, moisture or install this product near water.
- Never spill liquid of any kind on or into this product.
- Never push an object of any kind into this product through any openings or empty slots in the unit, as you may damage parts inside the unit.
- Do not attach the power supply cabling to building surfaces.
- Use only the supplied power supply unit (PSU). Do not use the PSU if it is damaged.
- Do not allow anything to rest on the power cabling or allow any weight to be placed upon it or any person walk on it.
- To protect the unit from overheating, do not block any vents or openings in the unit housing that provide ventilation and allow for sufficient space for air to circulate around the unit.

REVISION HISTORY

VERSION NO.	DATE (DD/MM/YY)	SUMMARY OF CHANGE
RDV1	23/10/16	Preliminary Release

CONTENTS

1. Introduction	1
2. Applications	1
3. Package Contents	1
4. System Requirements	1
5. Features	2
6. Operation Controls and Functions	3
6.1 Front Panel	3
6.2 Rear Panel.....	4
7. Connection Diagram	5
8. Specifications	6

1. INTRODUCTION

The Control Trigger Keypad with 8 Buttons is designed to be a simple and efficient interface for a more complex control system. This keypad features a set of 8 buttons which directly activate its 8 trigger connections which can be attached to any compatible control system. The keypad's connection cable allows for the extension of instant system control to locations that are more convenient for user interaction such as a conference table, lectern, podium, etc. The sophisticated appearance makes this keypad an elegant and decorative addition to your living or working space.

2. APPLICATIONS

- Smart Home Control
- Control Center
- Function Room
- Product Showroom
- Ballroom

3. PACKAGE CONTENTS

- 1x Control trigger keypad with 8 Buttons
- 2 x Terminal blocks with cable
- 2x Button label sticker
- 1x Operation Manual

4. SYSTEM REQUIREMENTS

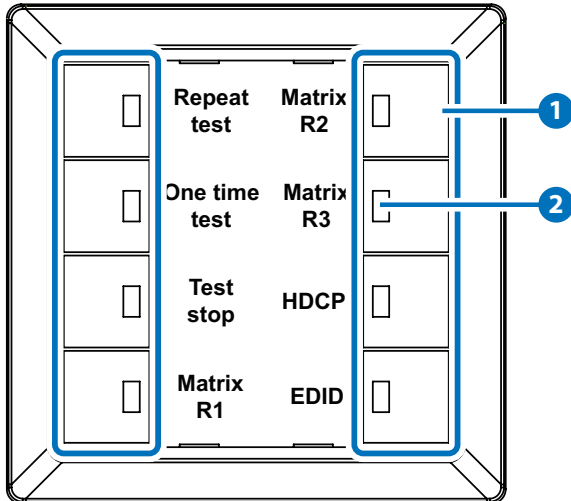
The keypad must be connected to a compatible control system that allows function or macro activation via triggers.

5. FEATURES

- 8 buttons linked directly to 8 triggers which are capable of instantly activating macros or functions on a connected control device
- Provides instant extended physical control of compatible control devices
- Allows for easy execution of macros (on compatible control systems) which can activate complex, multi-step, events with a single button press
- No external power supply required
- User customizable button labels
- Elegant appearance

6. OPERATION CONTROLS AND FUNCTIONS

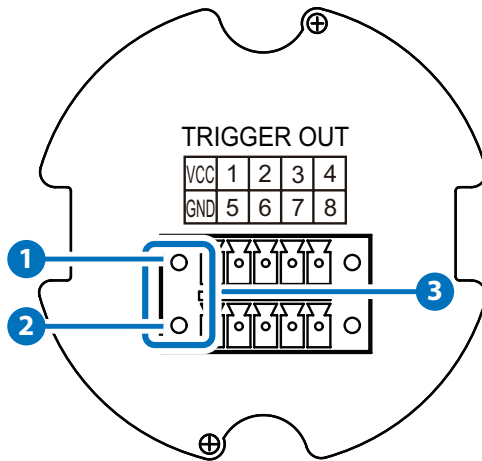
6.1 Front Panel



Note: Labeling provided as an example only. Actual button function depends on the configuration of the connected control device.

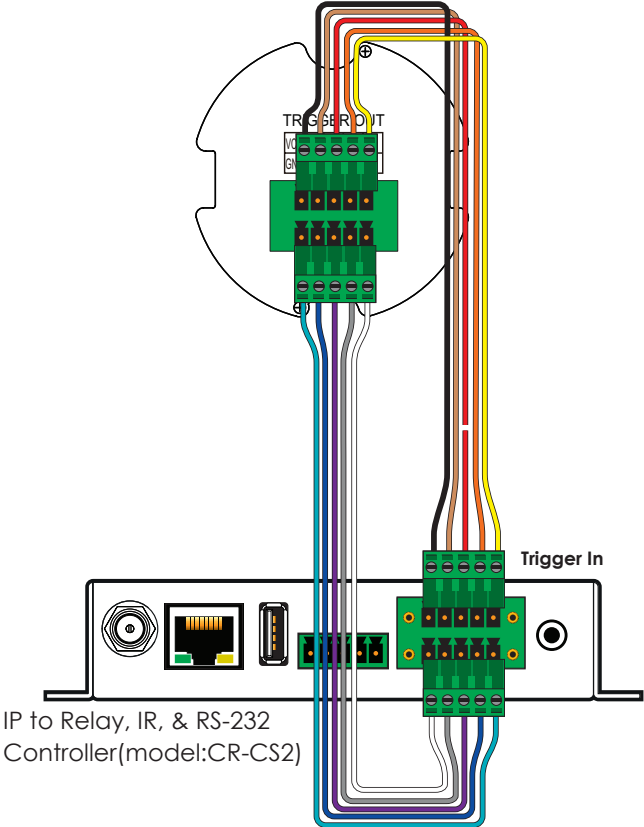
- 1 Button:** Press the button to activate the associated trigger event.
- 2 Link LED:** The LED will light up green when the button is pressed and the trigger is activated.

6.2 Rear Panel



- 1 **VCC:** Connects to the 5v power pin on the connected control system's trigger block.
- 2 **GND:** Connects to the ground pin on the connected control system's trigger block.
- 3 **1 ~ 8:** Connects to the individual trigger pins on the connected control system's trigger block.

7. CONNECTION DIAGRAM



8. SPECIFICATIONS

Front Panel:

Button 8 x Direct contact buttons

Link LED 8 x Link LEDs

Rear Panel:

DC 5V 1 x VCC

Ground pin 1 x GND

Trigger output 8 x trigger out (pin numbers 1 ~ 8)

Chassis Material Plastic

Color Black

Weight 100 g

Dimensions 70mm x 33mm x 70mm (W×H×D) [All Inclusive]



CIE-Group Ltd, 3 Widdowson Close, Blenheim Industrial Estate
Nottingham, NG6 8WB

Tel: +44 (0)115 977 0075 | Fax: +44 (0)115 977 0081

Email: info@cie-group.com

www.cie-group.com

RDV1