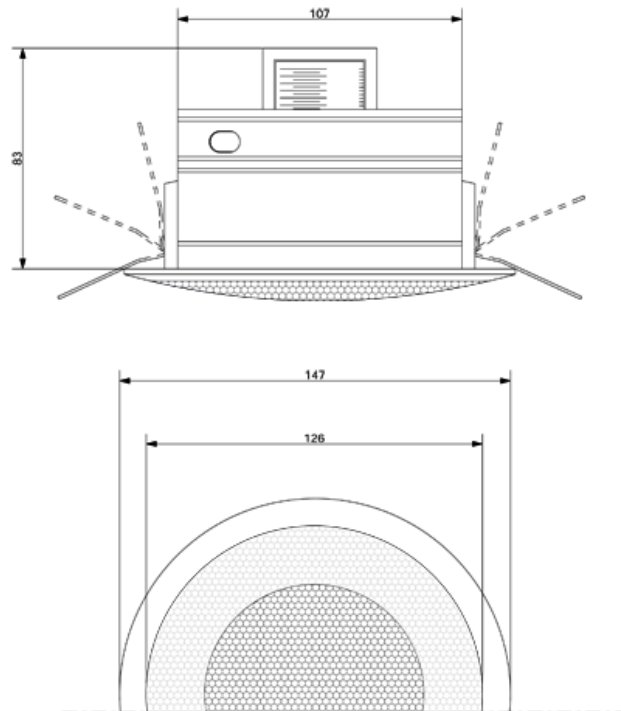


DL- P 06-100/ T



Technical Specifications:

Type:	DL- P 06-100/ T
Power:	6/3/1,5 W
Frequency Range:	90 - 18.800 Hz
SPL 1W/1m:	92,7 dB
SPL Pmax/1m:	100,5 dB
Dimensions:	150x92 mm
Ceiling Cut- out:	126 mm
Temperature range:	-20 / +80 °C
Dispersion angle (-10dB):	180° (H) / 180° (V)
Weight:	0,52 kg
Packing Unit:	12
Protection Class:	IP44 certified
Fire Protection (DIN4102):	
Mounting:	Snap System
Connector:	push clamp
Colour:	RAL 9010



Product Attributes:

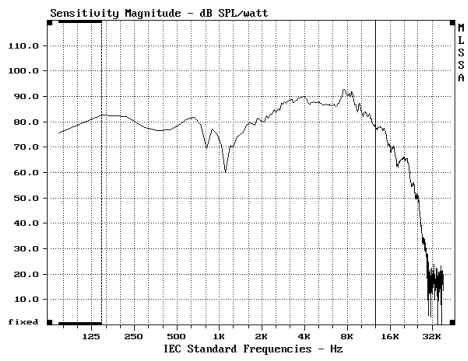




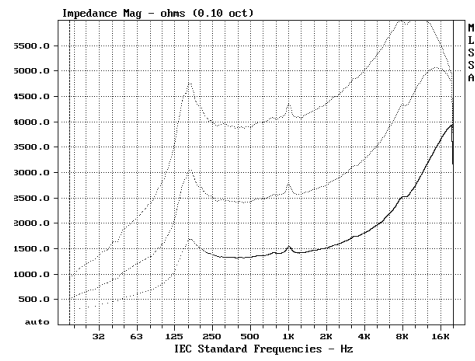
DL- P 06-100/ T

Frequency Diagrams:

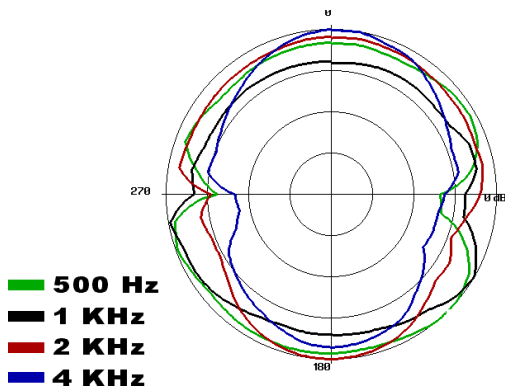
Sound Pressure Level



Impedance

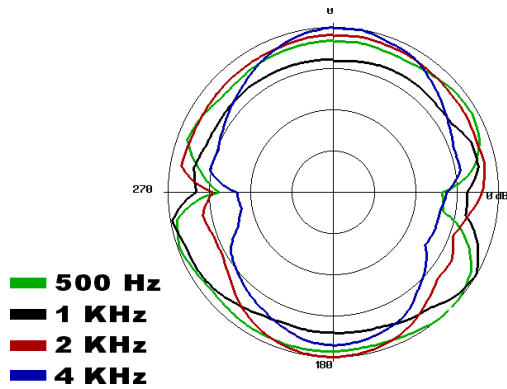


Polar Diagrams (H)



Frequency Diagrams:

Polar Diagrams (V)



Additional Downloads

- [montage mounting DL- P 06-100 T.pdf](#)

Measurements according to DIN IEC 268-5 | RoHS compliant (2002/95/ EG)

Please note: Because of many different types of ceiling materials and ceiling strengths we recommend to build in a sample of the speaker to match the requirements accurately.
