



---

## LCD & LED Multi-Screen Video Wall Systems

---





## Introduction

Flexibility is the key to CYP Digital Signage Solutions. There are several packages which provide a complete system solution for many commercial and retail applications. The packages utilise two screen types - 42" LCD with 10mm bezels, and 47" LED Super Slim Screen with 6mm bezels. Each of these screen options include built-in control modules and use the latest technology accepting full 1080P input resolutions, with bi-directional RS-232 control functionality enabled, and can be installed in an limitless number of configurations.

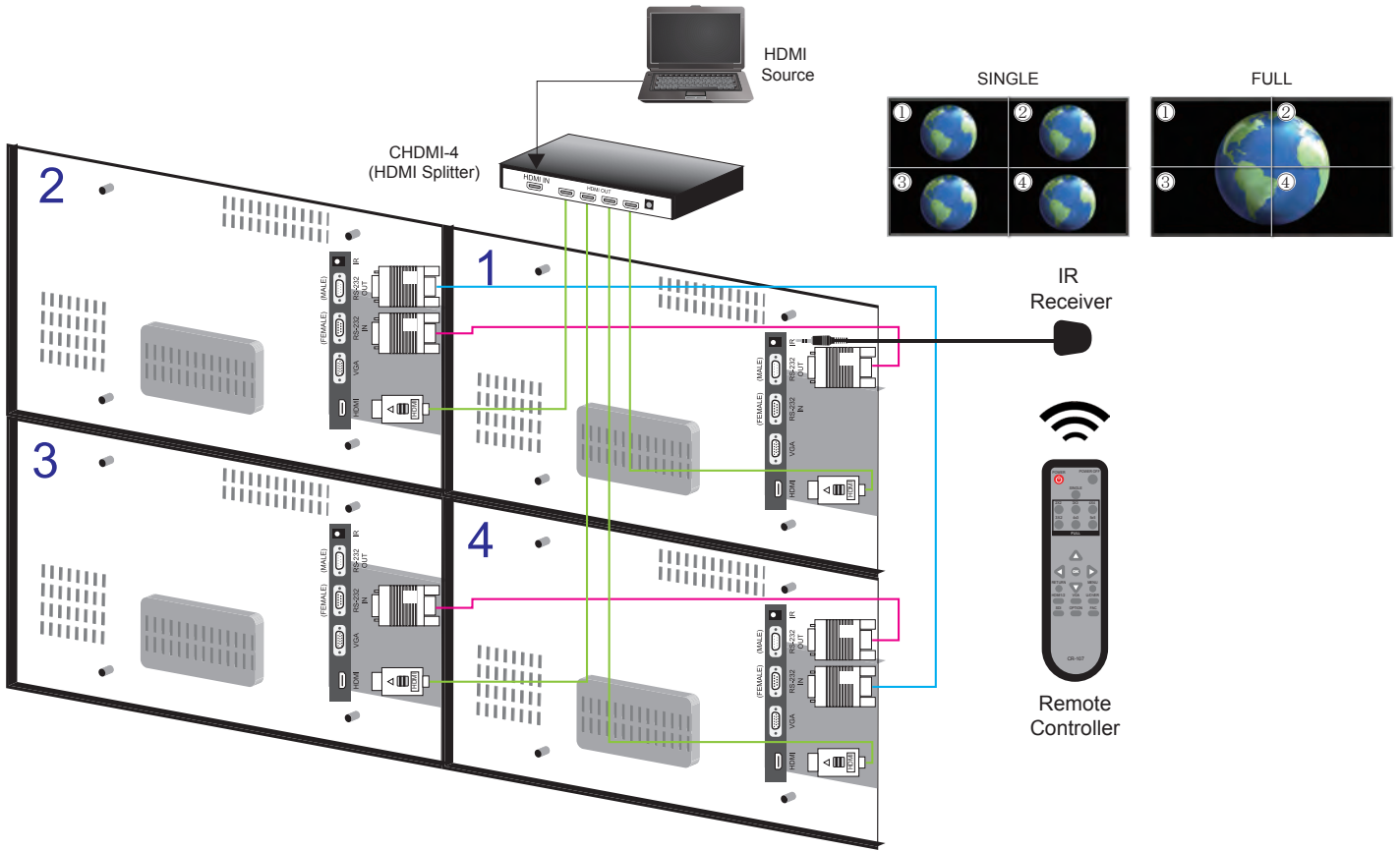
To keep things simple, we have prepared standard packages to meet the requirements of most applications, although fully bespoke systems are available upon request. The standard packages include a Single screen option, 2x2, 3x3, 4x4 and a 5x5 digital signage system which are supplied with a complete mounting system, distribution amplifiers to suit, and controls. Just connect your source and you're ready to go.

## Features

- Supports 4-Screen (2x2), 9-Screen (3x3), 16-Screen (4x4), or 25-Screen (5x5) video wall panel combinations.
- Supports Full 1080p input resolutions.
- Full two-way RS-232 Control.
- Horizontal or Vertical Screen Orientation.
- Single Image or Independent Split Screen Images.
- Independent Controller available for integration with third-party Screens.



## 42" LCD Screen Digital Signage Solutions

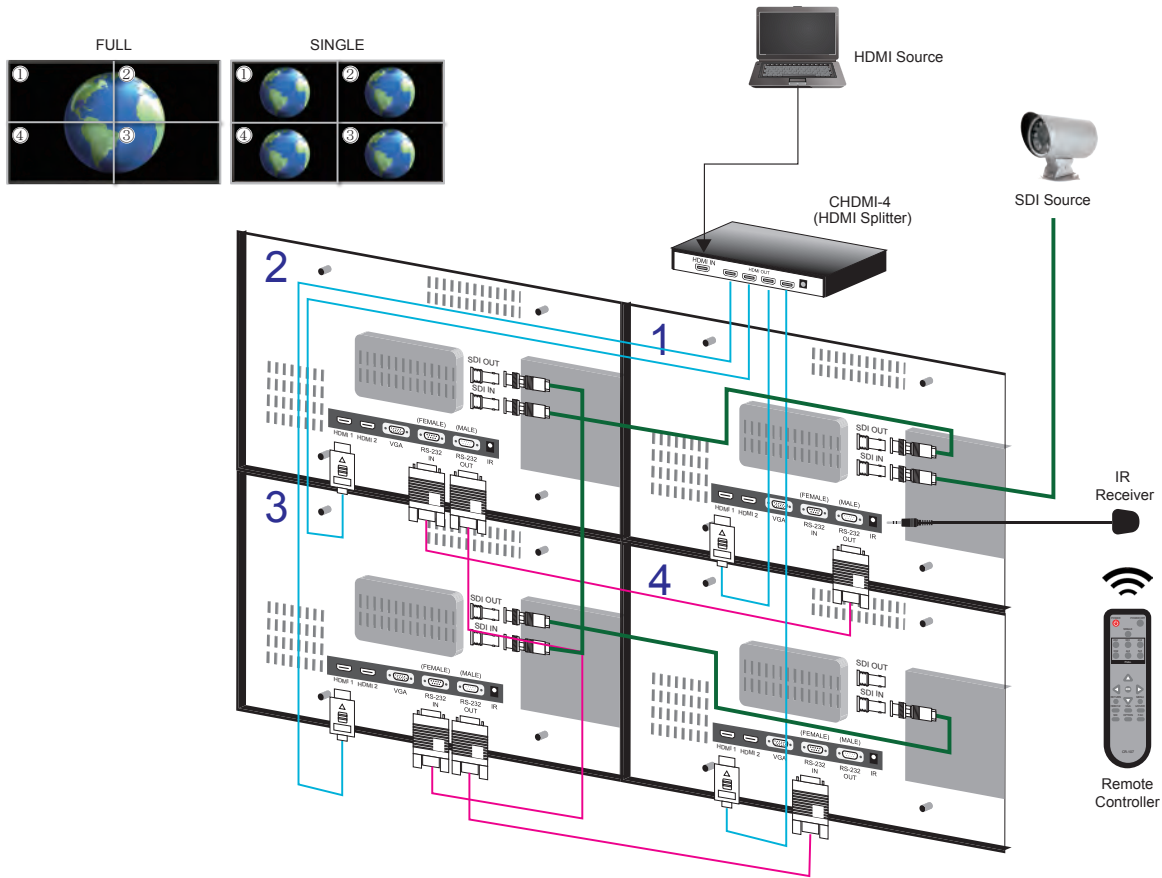


### 42" LCD Screen Systems

Product Code	Description
DS-42A	Single 42" 1080P LCD Screen with HDMI & VGA Connections (10mm bezel)
DS-42A22	2x2 Video Wall System 4 x 42" 1080P LCD Screens (with HDMI & VGA Connections) 4 x Wallmount Kit * 1 x 4-way splitter 1 x IR remote and cable
DS-42A33	3x3 Video Wall System 9 x 42" 1080P LCD Screens (with HDMI & VGA Connections) 9 x Wallmount Kit * 1 x 10-way splitter 1 x IR remote and cable
DS-42A44	4x4 Video Wall System 16 x 42" 1080P LCD Screens (with HDMI & VGA Connections), 16 x Wallmount Kit * 1 x 16-way splitter 1 x IR remote and cable
DS-42A55	5x5 Video Wall System 25 x 42" 1080P LCD Screens (with HDMI & VGA Connections), 25 x Wallmount Kit * 2 x 16-way splitter 1 x IR remote and cable

\* 42" LCD Screens can be mounted horizontally or vertically. Please specify your requirements when ordering.

## 47" LCD Super Slim Screen Digital Signage Solutions



47" Super Slim LED Screen Systems		
Product Code	Description	
DS-47SDI	Single 47" 1080P LED Screen with HDMI, SDI, & VGA Connections (6mm bezel)	
DS-47SDI22	2x2 Video Wall System 4 x 47" 1080P LED Screens (with HDMI & VGA Connections) 4 x Horizontal Wallmount Kit 1 x IR remote and cable	
DS-47SDI33	3x3 Video Wall System 9 x 47" 1080P LED Screens (with HDMI & VGA Connections) 9 x Horizontal Wallmount Kit 1 x IR remote and cable	
DS-47SDI44	4x4 Video Wall System 16 x 47" 1080P LED Screens (with HDMI & VGA Connections), 16 x Horizontal Wallmount Kit 1 x IR remote and cable	
For SDI Sources	Connect the source to the SDI input on screen #1. Link the SDI output from screen #1 to the SDI input of screen #2. Continue to link the screens together in this way until all screens are connected via their built-in SDI connections.	
For Non-HDCP HDMI Sources	Use the PRO-H2-3GSDI HDMI to 3G-SDI Converter and connect the SDI output to the screens as described for SDI Sources.	
For HDMI Sources (with HDCP) use:	CHDMI-4	1 to 4 HDMI Splitter for 2x2 Screen configurations
	CHDMI-210T	1 to 10 HDMI Splitter for 3x3 Screen configurations
	QU-16E	1 to 16 HDMI Splitter for 4x4 Screen configurations

\* 47" LED Screens can be mounted horizontally or vertically. Please specify your requirements when ordering.

## DS-MSC - Video Wall Control Processor



Product Code	Description						
DS-MSC (Multi-Screen Controller)	For use with third party screens to emulate a video wall. This controller will control the digital signage content for each screen on a video wall system using up to 16 screens. One controller is required per screen. If the user has only one HDMI or VGA source, then an appropriate Distribution Amplifier (Splitter) will be required to split the source signal to each of the Multi-Screen Controllers feeding the screens.						
Distribution Amplifiers:	<table border="0"> <tr> <td data-bbox="405 1279 555 1308">CHDMI-4</td> <td data-bbox="561 1279 1520 1308">1 to 4 HDMI Splitter for 2x2 Screen configurations</td> </tr> <tr> <td data-bbox="405 1314 555 1344">CHDMI-210T</td> <td data-bbox="561 1314 1520 1344">1 to 10 HDMI Splitter for 3x3 Screen configurations</td> </tr> <tr> <td data-bbox="459 1350 555 1379">QU-16E</td> <td data-bbox="561 1350 1520 1379">1 to 16 HDMI Splitter for 4x4 Screen configurations</td> </tr> </table>	CHDMI-4	1 to 4 HDMI Splitter for 2x2 Screen configurations	CHDMI-210T	1 to 10 HDMI Splitter for 3x3 Screen configurations	QU-16E	1 to 16 HDMI Splitter for 4x4 Screen configurations
CHDMI-4	1 to 4 HDMI Splitter for 2x2 Screen configurations						
CHDMI-210T	1 to 10 HDMI Splitter for 3x3 Screen configurations						
QU-16E	1 to 16 HDMI Splitter for 4x4 Screen configurations						



### Flexibility

The DS-MSC Controller will allow you to create a video wall using your own HDMI or VGA screens. Aside from creating a video wall, this solution is perfect for retail stores already using multiple screens but want the ability to display HD content or digital signage to promote their company or products.

Many TV departments in consumer electronic stores find this flexibility to be a huge benefit to their sales environment.



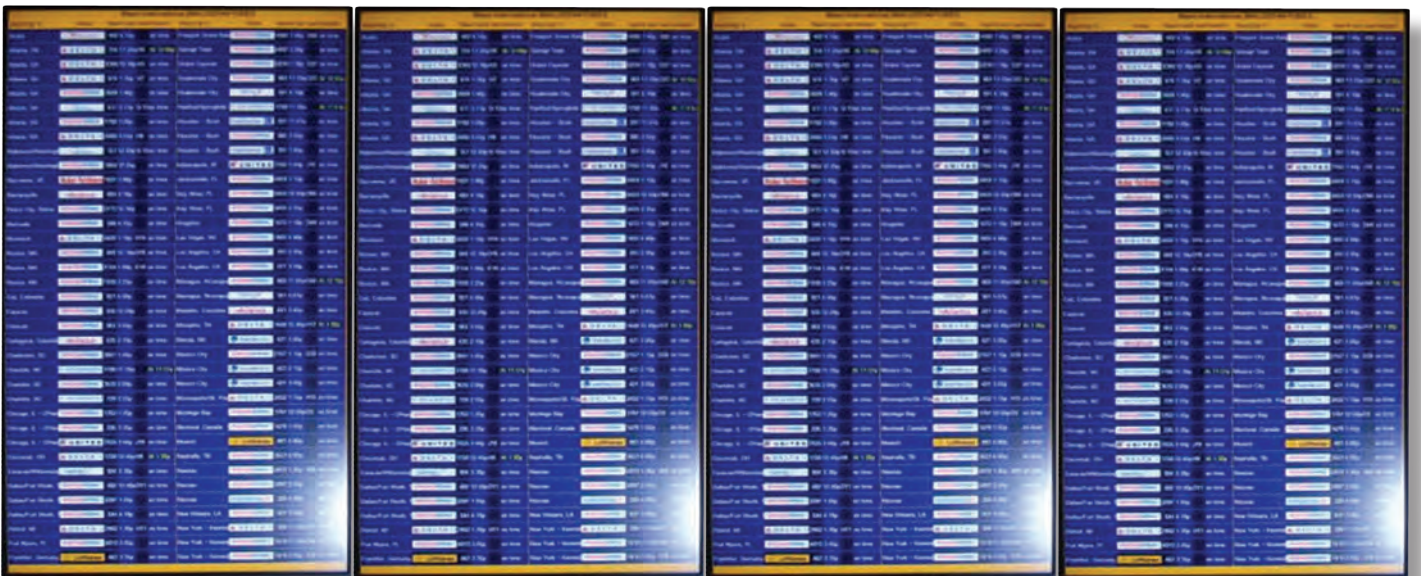
## Mounting Solutions

All CYP Video Wall Solutions are supplied with a full mounting kit. CYP screens can accept a source signal in either horizontal or vertical image orientations, and so there is a mounting option to suit either configuration.

Both systems utilise a 'click-lock' system for added security and peace of mind. Please be sure to specify which mounting solution you require, when ordering.



The Digital Signage market is showing incredible growth throughout the World. Our video wall systems provide the perfect platform for public venue and control room environments with vibrant visual performance, simple operation and extended operation.



## Screen Specifications

Model No.	DS-42A	DS-47A
<b>SPECIFICATION</b>		
Screen Size	42 inches	47 inches
Panel Resolution	1920 x 1080	1366 x 768
Aspect Ratio	16 : 9	16 : 9
Response Time	8ms	12ms
Brightness	700cd/m <sup>2</sup>	700cd/m <sup>2</sup>
Contrast Ratio	3500 : 1	1400 : 1
Dynamic Contrast Ratio	10000 : 1	10000 : 1
Viewing Angle Range	178°	178°
<b>VIDEO</b>		
HDMI Compatibility	480p / 720p / 1080i / 1080p	480p / 720p / 1080i / 1080p
VGA Compatibility	Up to 1280 x 1024	Up to 1280 x 1024
SDI Compatibility	N/A	480i/ 576i/ HD-SDI-720p/ 1080i/ 3G-SDI-1080p
<b>INPUT / OUTPUT</b>		
HDMI Interface	1 Rear	2 Rear
RS-232	2 Rear (1 male, 1 female)	2 Rear (1 male, 1 female)
15 Pin Dsub	1 Rear	2 Rear (1 male, 1 female)
IR Port	1 Rear	1 Rear
<b>GENERAL</b>		
Power Supply	AC 100 ~ 240VAC / 5A (Max) 50-60Hz	AC 100 ~ 240VAC / 5A (Max) 50-60Hz
Power Consumption	135W (Standby 1W)	150W (Standby 1W)
OSD Languages	English, Chinese	English, Chinese
Dimension (HxWxD) mm	955 x 550 x 83	1046mm x 591mm x 115mm
Bezel Size	10mm	Total 6mm (4mm left + 2mm right)
Package Dimension (HxWxD)	1080mm x 690mm x 220mm	1185mm x 745mm x 215mm
Net Weight	21 kgs	20.4 kgs
Gross Weight	23 kgs	21 kgs



## Contact

### **CYP (UK) Ltd**

Unit 6, Metro Ind. Centre  
St. Johns Road  
Isleworth  
Middlesex  
TW7 6NJ

T : +44 (0)20 8232 8842

F : +44 (0)20 8560 8050

E : [sales@cypeurope.com](mailto:sales@cypeurope.com)

[www.cypeurope.com](http://www.cypeurope.com)