

## ED550

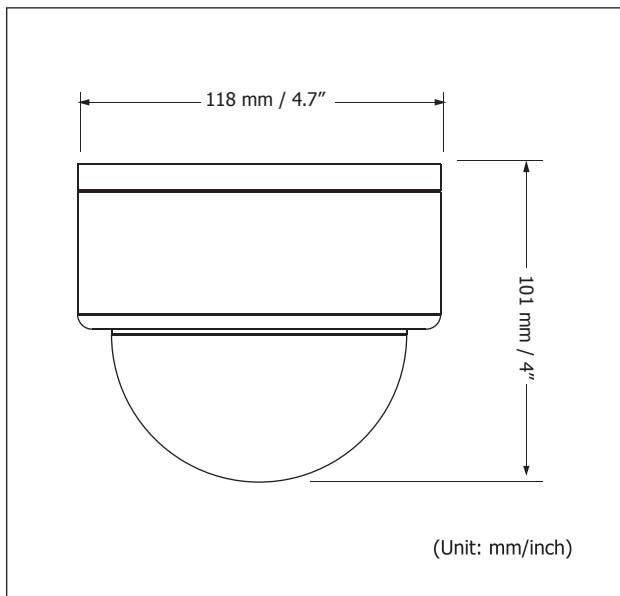
560 TVL Indoor Vandal Color Dome with True Day/Night



### Features

- Excellent super high resolution technology with 560 TVL
- Advanced 16-bit Digital Signal Processor (DSP) delivers excellent picture quality and performance
- True Day/Night function with IR cut filter
- Built-in DNR (Dynamic Noise Reduction) for noise reduction and a 70% savings of disk storage
- The starlight super high sensitivity of 0.002 Lux/F=1.2 is achieved by setting SENS-UP Shutter x128
- Vandal resistant to withstand the impact of a 10 lb sledgehammer
- Support Motion Detection and Privacy function

### Dimensions



### Specifications

Pickup Device	1/3" Sony Interline Transfer Super HAD CCD
Video Format	NTSC/PAL
Picture Format	768 x 494 NTSC / 752 x 582 PAL
Horizontal Resolution	560 TVL
Sensitivity	0.002 Lux (SENS-UP x128), 0.25 Lux / F=1.2
S/N Ratio	Over 50 dB (AGC Off)
Gamma Correction	0.45
Sync. Mode	Line Lock/Internal Sync.
OSD	Yes
True Day/Night	Yes (Auto IR Cut Filter, B/W Sensitivity Enhanced)
Lens	Vari-focal 2.9~10mm
Backlight Comp.	Yes, Off/Low/Middle/High selectable
White Balance	ATW(2500~8300 oK)/AWC/Manual
Auto Gain Control	Yes, Off/Low/Middle/High selectable
DNR	Yes, Off/Low/Middle/High selectable
SENS-UP	Off/Auto: x2 ~ x128 selectable
Camera ID	On/Off
Motion Detection	Off/On (4-Zone, Position/Size/Tone)
Privacy Function	Off/On (4-Zone, Position/Size/Tone)
Sharpness	Off/On (Adjustable Level)
H-Mirror	Off/On
Power Source	12VDC/24VAC
Power Consumption	24VAC: 5W max. / 12VDC: 3.5W max.
Vandal Resistant	Yes
Dimensions (W x H)	118 x 101 mm / 4.7" x 4"
Weight	0.7 kg / 1.5 lbs

### Ordering Information

- **ED550:** 560 TVL, True Day/Night Indoor Vandal Dome, 2.9~10mm Lens