



EPTZ-PBOX

Connector box with power supply for speed dome

Specifications

Power source: 100~120 VAC, 60 Hz or 220~230 VAC, 50 Hz (set by internal switch), 120 VA max

Power output: 24 VAC, 3,5 A max.

Connectors:

Power in: 3 x screwless terminal

Power out: 5,5 mm power plug

2 x screw terminal

Molex connector for 12 VDC converter

RS-485 / alarm: 2 x 10 pin screwless terminal, looped

Ambient temperature: -20°C~+40°C

Dimensions: 216,2 (W) x 216,2 (H) x 80,5 (D) mm (w/o cable gland / hinge / flanges)

270 (W) x 245 (H) x 80,5 (D) mm (with cable gland / hinge / flanges)

Universal mounting plate 120x77

Weight: 4,1 kg

Features

- vandal-proof metal housing
- dual power input 100~120 VAC / 220~230 VAC
- designed for direct speed dome mount (EPTZ series with wall mount bracket)
- separate installation possible (blind cover for cable hole in package)
- universal mounting adapter for additional equipment (video server, twisted pair transmitter, fiber optic transmitter)
- optional 110/230 VAC to 12VDC converter for additional equipment
- mounting option (optional adapter) to pole mount and corner mount adapter

Accessories:

EPTZ-PB-A - Mounting adapter for EPTZ-PMA (pole mount) or EPTZ-CMA (corner mount)

EPTZ-PB-P12 - Converter 110/230 VAC to 12 VDC 500 mA



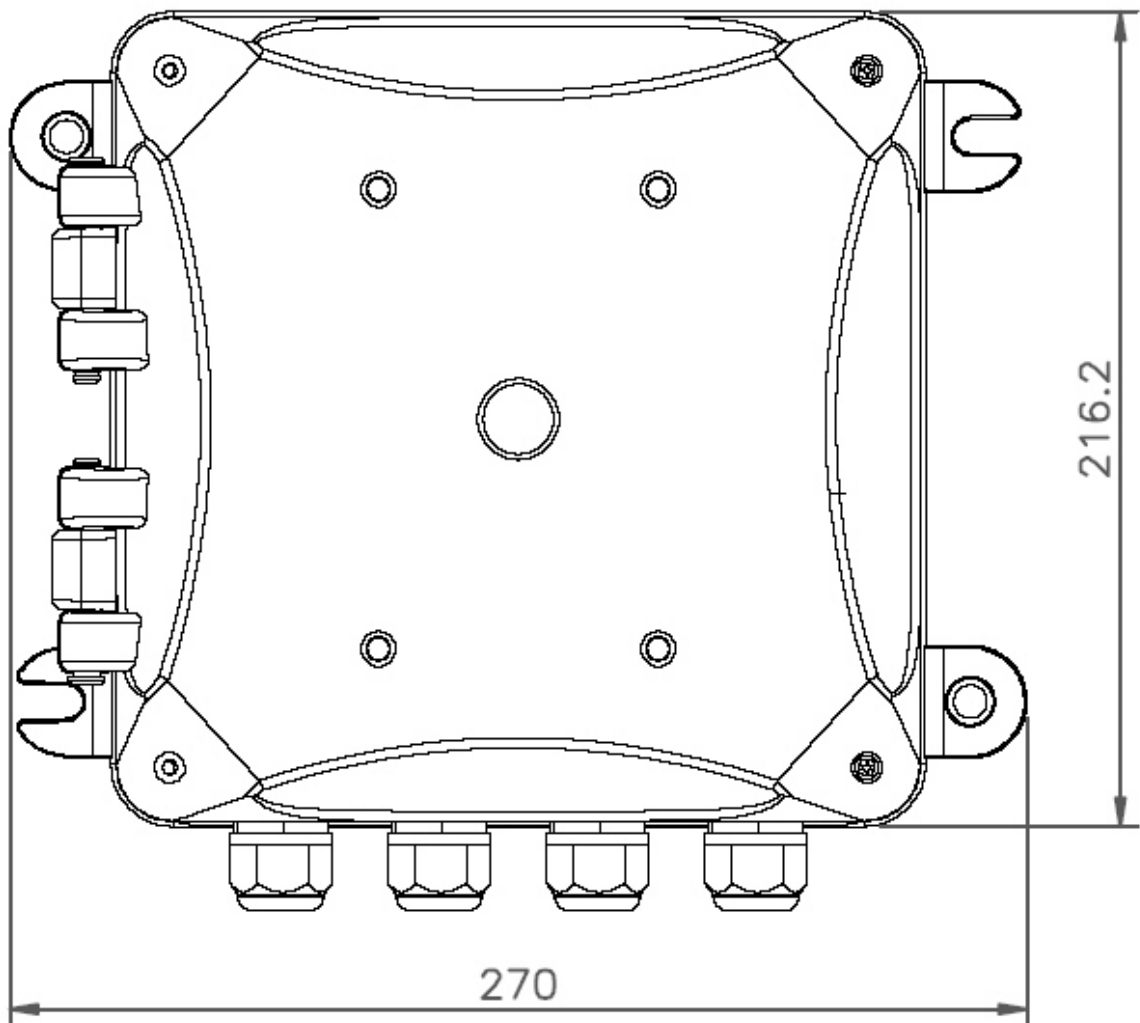
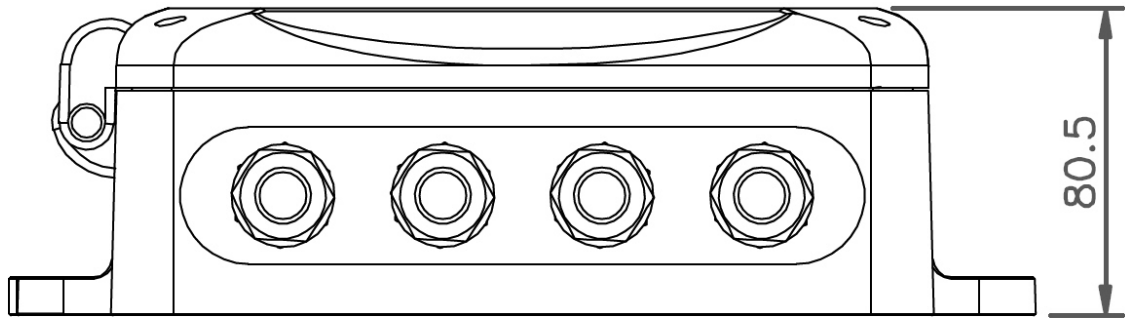
EPTZ - PBOX interior



EPTZ-PB-A

EPTZ-PBOX_db_en_rev01

Dimensions



EPTZ-PBOX_db_en_rev01