



DVI Fiber Optic Extender Kit (Single-mode LC type)

The ET-DF0101-MG5K DVI Fiber Optic Extender boosts up your DVI transmission distance up to 5Km from a DVI-D single link video source to remote display. With four fiber optic cables, it provides longer signal transmission distance and rule out radio frequency interference phenomenon in comparison to the traditional copper wire cable. This is ideal for a wide range of applications requiring long distance transmission of high resolution content with the highest quality.

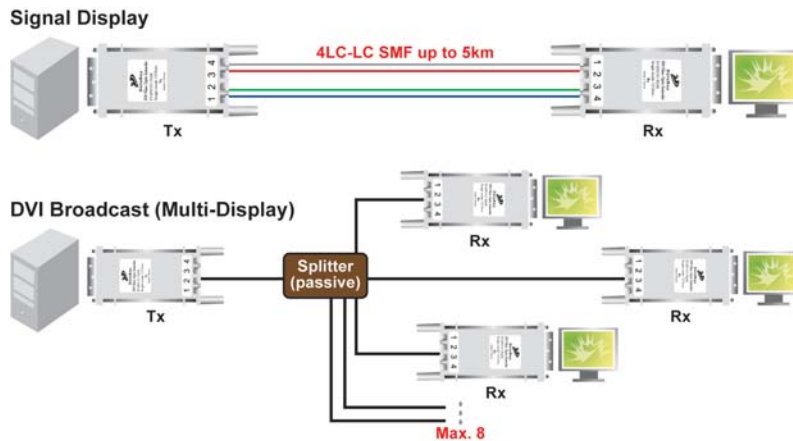


ET-DF0101-TG5K
DVI Fiber Optic
Transmitter



ET-DF0101-RG5K
DVI Fiber Optic
Receiver

DVI Fiber Optic Extender Connection



Features

- Long distance video and audio transmission
- Support high resolution and image quality
- Support Pseudo DDC detection functions for EDID information
- Integrate with fiber optic splitter to broadcast up to 8 displays
- No RF Interference by optical fiber
- Class 1 laser product complies with EN 60825-1

Model NO.	ET-DF0101-TG5K	ET-DF0101-RG5K
Model Name	DVI Fiber Optic Transmitter	DVI Fiber Optic Receiver
Max Resolution	1920x1200	
Max length	(1920x1200)-5000m [9/125μ SMF]	
Input	1x DVI	4xLC
Output	4x LC	1x DVI
DVI Connector	DVI-D [25-pin male]	
Fiber Optic Connector	LC Type	
Optical Property	4 channels 1310nm @ -4dBm ± 2dB	
Power Supply	5V/1A DC	
Power Input	2 Watt [max]	
Operation Temp.	-10~50°C [14~122°F]	
Storage Temp.	-20~75°C [-4~167°F]	
Relative Humidity	20~90% RH [no condensation]	
Dimension (LxWxH)	90x40x19.6 mm	



GREEN-BOX TECHNOLOGY CO., LTD.

2F, No.198, Chung Yuan Rd., Chung-Li Ind. Zone, Chung-Li 320, Taiwan

TEL: 886-3-435-8189 FAX: 886-3-462-5477

www.green-box.com.tw sales@green-box.com.tw

