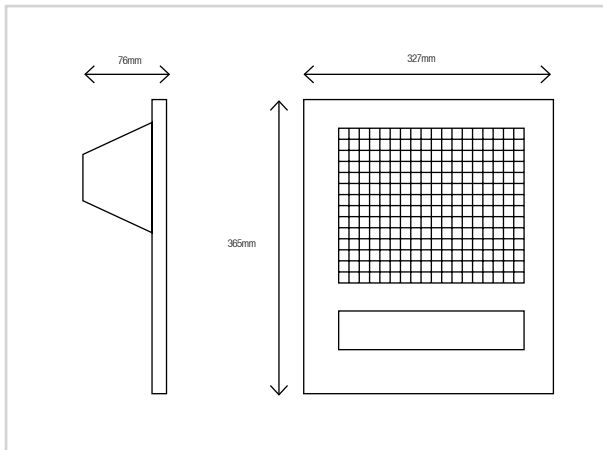


- **I8SC:** IP-Addressable Loudspeaker System with Clock
- **I8SCM:** IP-Addressable Loudspeaker System with Clock & Microphone

Features:

- Use with InformaCast software, Cisco PoE networks & Cisco IP Telephones to create extremely versatile paging and messaging systems
- Highly efficient 8" dual cone loudspeaker system provides 94 dB average SPL @ 1W/1M and is capable of 103dB @ 1 meter via the rated power of the internal IP addressable amplifier
- 105° dispersion in the 2kHz octave band (-6dB)
- Wide frequency response of 86Hz ~ 8kHz (-3dB) is perfect for speech and general messaging playback
- Network controlled, high visibility red LED clock
- Built-in microphone for ½ duplex communication (I8SCM model only)



Loudspeaker Specifications:

Model:	I8SC / I8SCM
Speaker Size	8" (203 mm)
Power Handling	15W
Sensitivity (SPL @ 1W/1M)	94dB
Frequency Response ¹	86Hz ~ 8kHz
Dispersion ²	105°
Diameter & Depth	206(Ø) x 73(D) mm
Mounting Dimensions	194 mm Bolt Circle

¹ Measured in recommended enclosure
² 3dB down point, 2kHz octave band

Baffle Specifications:

Model:	I8SC / I8SCM
Baffle Material	18-gauge CRS
Speaker Grille Material	22-gauge Perforated Steel
Loudspeaker cut-out dimension	232 x 175 mm
Overall Width x Height	327(W) x 365(H) mm
Depth (Front of Baffle to Rear of Speaker)	76 mm
Depth (Rear of Baffle to Rear of Speaker)	71 mm
Colour	White

Amplifier/Controller Specifications:

Model:	I8SC / I8SCM
Power Rating	9W RMS into 8Ω Load with 9VDC in
Inputs	RJ-45 Female on PCB accessible from rear of baffle
Outputs	2 Wire Main ± terminated to loudspeaker
Power Source	Cisco IEEE 802.3AF compliant POE network switches local 12-18VDC PSU
Network Control	Informacast on multicast enabled networks

Clock Specifications:

Model:	I8SC / I8SCM
Characters	5
LEDs per character	21
Character Height	64mm
Character Width	32mm
Viewable clock surface dimensions	241(W) x 64(H) mm
Clock Control	InformaCast on multicast enabled networks

Microphone Specifications (I8SCM model only):

Model:	I8SCM
Microphone Type	Omni directional subminiature electret condenser
Diameter	6mm

InformaCast

by  **singlewire**SM
software

InformaCast IP: Broadcasting & Loudspeaker Systems

Easily connect loudspeaker systems to existing computer networks with IP Speakers. Atlas Sound IP Speakers are a Power-over-Ethernet (PoE) loudspeaker range which require only a RJ-45 connector to connect to existing data networks.

The perfect choice for education, military/government, and large scale corporate applications, InformaCast IP Broadcasting Solution revolutionises communication, clock/bell and message playback functionality.

It provides the capability to simultaneously send a multicast audio stream and text messages to any combination of Cisco IP phones, Atlas Sound IP Speakers and PCs.

With the push of a single button on the phone or a single click from a PC, a user can send a live, recorded, or scheduled broadcast to one or more paging groups.

With InformaCast-compliant loudspeaker products from Atlas Sound, system designers and integrators will have the ability to deploy extremely large scale and complex paging systems over new or existing Cisco networks with the convenience of centralized administration by IT personnel.

Features of Atlas Sound IP Loudspeakers:

- Line out and amplified out
- Multicast support
- Minimal delay
- Easy to install - built-in test tones allow quick check of installation
- Can work with traditional high voltage wiring
- Available in several different configurations
- Inter-operates with Cisco VoIP networks and phones and with Singlewire InformaCast Broadcasting application
- Web (HTTP) interface for status and control
- Software can be automatically upgraded for future needs

Options:

- A wireless network connection (802.11)
- PoE and non-PoE
- Synchronized clock display
- Several different speaker configurations:
 - Horns
 - Weatherproof
 - Ceiling Panels
 - Wall Panels
 - Vandal proof

