



Clever Little Box

# LCU-1A Level Converter Unit

## User Instructions



**Please note:** Issue 5 of this unit is now fitted with a DC blocking capacitor making it suitable for use on systems that use DC monitoring.

This does not affect its use on conventional PA systems.



[www.cleverlittlebox.com](http://www.cleverlittlebox.com)



The **LCU-1A** offers a cost effective means of reducing either 70v or 100v signals to either line or microphone level signals for use as an input to additional amplifiers in a system. The LCU-1A comprises a 70/100v transformer with two secondary windings each coupled to variable resistive attenuators, enabling the unit to supply two line level and two microphone level signals from a single 70/100v signal source.



# Technical Specifications:



Clever Little Box®

## Specifications:

Input signal level:	100v (rms) max, balanced
Output signal level (Line 1):	0 ~ 1v (rms), balanced
Output signal level (Line 2):	0 ~ 1v (rms), balanced
Output signal level (Mic 1):	0 ~ 10mv (rms), balanced
Output signal level (Mic 2):	0 ~ 10mv (rms), balanced
Weight:	1kg (approximately)

- CIE Group reserves the right to alter the above specifications without prior notice

# Connection Details:



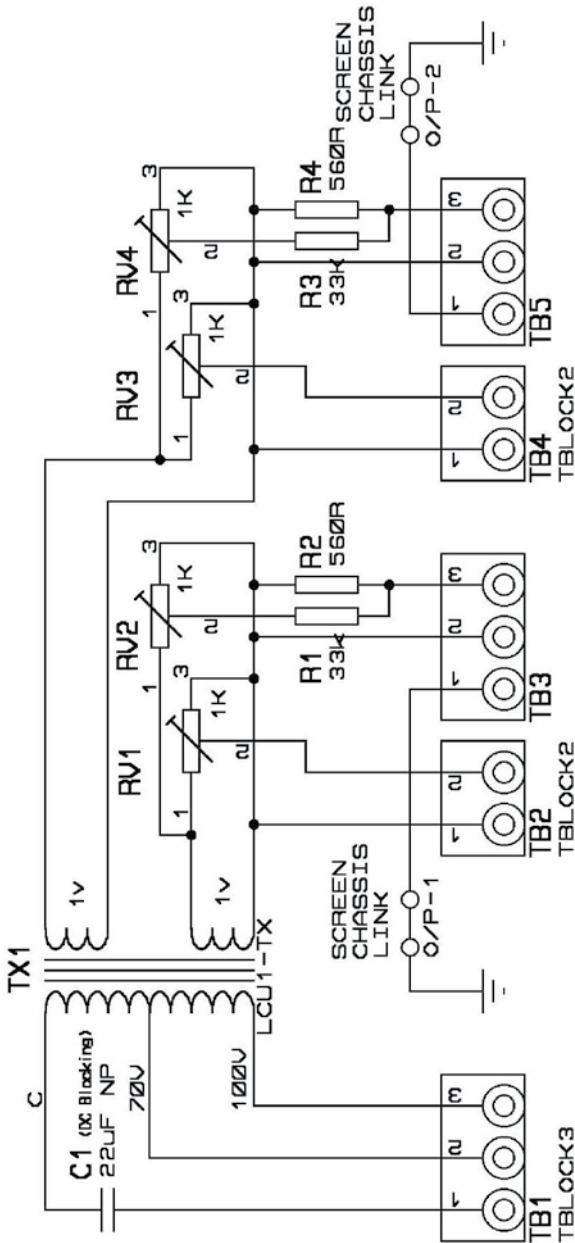
Clever Little Box

**All connections are via rubber grommets on the sides of the box and onto screw terminals located on the printed circuit board.**

## • **Caution:**

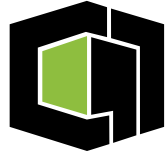
When using the mic level outputs it is recommended that the screen chassis links be left in place to reduce the possibility of hum pickup. However, care must be taken when using both mic level outputs to separate amplifiers not to create earth loops within the system. To prevent this from happening it may be necessary to remove just one of the screen chassis links and leave the other intact.

<b>Terminal Block</b>	<b>Designation</b>	<b>Description</b>
<b>TB1</b>	C 70v 100v	70/100v signal common 70v line signal input 100v signal input
<b>TB2</b>	LINE 1 - LINE 1 +	Line level signal output - Line level signal output +
<b>TB3</b>	GND MIC 1 MIC 1 +	Ground connection for mic 1 output Mic level signal output - Mic level signal output +
<b>TB4</b>	LINE 2 - LINE 2 +	Line level signal output - Line level signal output +
<b>TB5</b>	GND MIC 2 - MIC 2 +	Ground connection for mic 2 output Mic level signal output - Mic level signal output +









Clever Little Box ■

[www.cleverlittlebox.com](http://www.cleverlittlebox.com)



**T:** +44 (0)115 9770075 **F:** +44 (0)115 9770081 **E:** [info@cie-group.com](mailto:info@cie-group.com) **W:** [www.cie-group.com](http://www.cie-group.com)  
CIE-Group Widdowson Close Blenheim Industrial Estate Bulwell Nottingham NG6 8WB UK