

• **LP Series:** Standard 19" Rack Enclosures

Euromet's cost-effective range of 19" enclosures, supplied in self-assembly (flat pack) format for ease of transportation and storage.

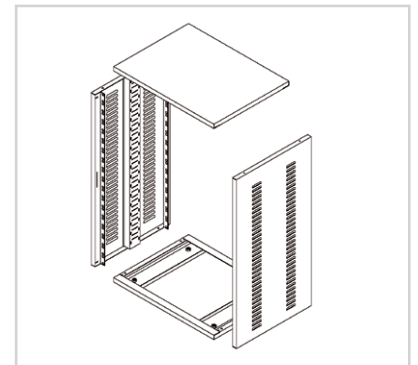
Manufactured in 2mm plate steel, the units are sturdy and robust when assembled and are finished in RAL9005 matt black. Fixed 19" profiles are standard in the front and back of the enclosure.

Other features include height adjustable feet and louvred venting and removable vented rear panel to assist with cooling of the installed equipment.

A full range of accessories is available (see pages 196 ~ 200).

Features:

- Self-assembly (flat pack)
- High quality manufacture
- Adjustable feet
- Venting
- Removable rear panel
- Available in 5 different sizes
- Stable construction
- Optional glazed door (supplied as option, see below)



Specifications:

Model:	01226	01227	01228	01229	01230
Usable Height	8U	12U	18U	22U	26U
Master Pack	0.036m ³ , 20kg	0.04m ³ , 23.50kg	0.059m ³ , 28kg	0.059m ³ , 31.5kg	0.064m ³ , 33kg
External Height*	400mm	578mm	843mm	1022mm	1200mm
Internal Depth**	435mm	435mm	435mm	435mm	435mm
External Depth	500mm	500mm	500mm	500mm	500mm
Weight	11.2kg	22.6kg	26.8kg	30.3kg	31.7kg

*External height dimensions without wheels or feet

**When used with the Inter-M range of products the optional door will not fit to the front of the enclosure without the removal of the equipment's mounting handles.