

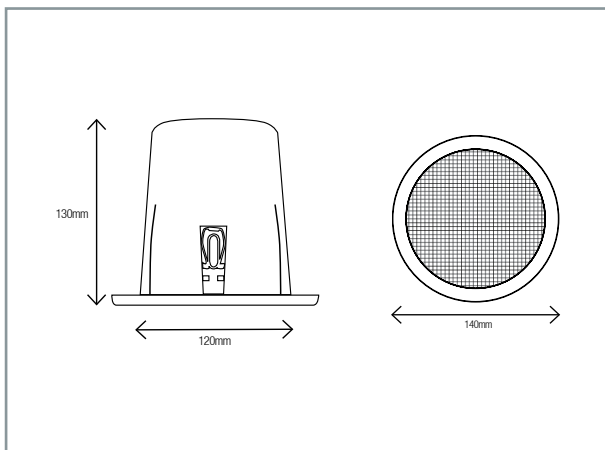
• **MCSL006/TWP:**
6W Moisture-Proof Ceiling Speaker

This IP55-approved unit is ideal for installation in damp, humid environments such as changing rooms, bathrooms or even outdoors in protected areas.

One-piece construction and quick-fit spring mounting system complete a versatile package.

Features:

- Water / ingress resistance (IP55 rated)
- One-piece construction
- White RAL 9016
- Multi-tapping 100v transformer
- Quick-fit mounting system



Specifications:

Model: MCSL006/TWP	
100v Power Tappings	1.5, 3, 6W
Frequency Response	150Hz ~ 18kHz
SPL @ 1W/1m	91dB
Colour	White RAL 9016
Material	ABS
Dimensions	140(Ø) x 130(D) mm
Weight	0.9kg