

• **OR-44VWC: 4x4 Video Wall Control Matrix**

The **CYP OR-44VWC** is a 3-function advanced HDMI Matrix Switcher which features 3 different HDMI distribution/display modes.

Developed for video wall and multi-screen displays, the OR44VWC Control Matrix offers 'Matrix', 'Picture-in-Picture' and 'Video Wall' modes to provide a variety of different creative display options from up to 4 HDMI AV sources.

'Matrix Mode' routes up to 4 separate HDMI source signals to up to 4 HDMI outputs, allowing the user to send any source signal to any (or all) output displays.

'Dual' (or 'Picture-in-Picture') mode allows 2 sets of 2 selected sources to be shown on designated output displays (2 displays per set) as a picture-in-picture display.

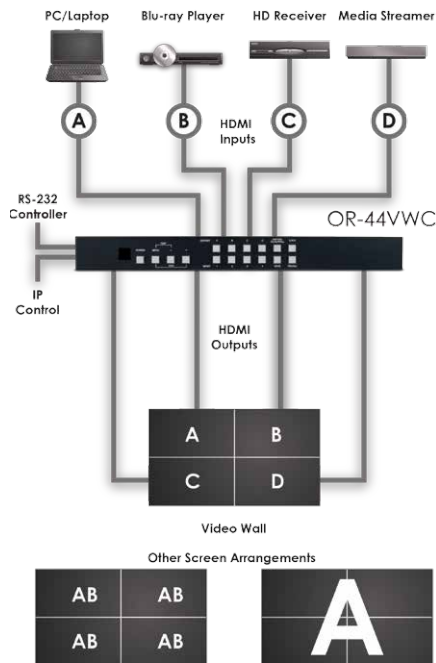
'Video Wall' mode extends one of the selected HDMI sources to cover all 4 displays (all four screens displaying as 1 large screen).

The OR-44VWC Video Wall HDMI Control Matrix supports a full range of video resolutions up to WUXGA@60(RB) or 1080p and audio formats up to 7.1 CH LPCM at 192kHz sampling rate.

The device can be controlled from the front panel buttons or remotely via IR, IP or RS-232.

Features:

- Seamlessly switches any input signal to any output display, supporting full HDMI Matrix functionalities
- Supports 8/10/12 bit Deep Colour
- Selects 2 input signals to be simultaneously displayed on 2 grouped HDMI displays (Dual A and Dual B) featuring PIP (Picture In Picture)
- Displays any input signal on a 2x2 Video Wall as a full image, with Bezel Correction
- Control via IR (Remote), RS-232 or IP (Telnet), on-panel buttons or OSD menu
- 8 Screen Setting Hot Keys for ease of use
- Input resolution supports VGA to WUXGA (RB) or 480i to 1080p; output resolution supports 480p to 1080p
- Audio supports up to LPCM 7.1CH at 192 kHz sampling rate
- Supports 2.25Gbps Frequency Clock per channel (225MHz Clock Rate)
- 19" Rack Mount Casing



Specifications:

Model:	OR-44VWC
Inputs:	4x HDMI [4x HDMI Uncompressed AV and Data] 1x 9pin Dsub [1x RS-232 Data] 1x RJ45 [1x IP Control] 1x USB Type B [1x Service Only - Propriety Data]
Outputs:	4x HDMI [4x HDMI Uncompressed AV and Data]
PSU:	12V / 3A
Dimensions:	435(W) x 45(H) x 260(D) mm
Net. Weight:	2880g