

Operating Manual

OT-4240/4480 Output Transformer Unit



interM

Contents

1. Unpacking and Installation.....	1
2. Features	2
3. Rear Panel Controls	3
4. Applications	4
5. Block Diagram.....	5
6. Specifications.....	6

OFFICE :

226-9 DUGJUNG - LI, HOE CHUN - EUB,

YANGJU - KUN, KYUNGKI - DO, KOREA

TEL : 82-351-860-7041~5, FAX : 82-351-858-1907




Home Page : <http://www.inter-m.co.kr>, <http://www.inter-m.com>

E-mail : export@inter-m.co.kr

Unpacking and Installation

Although it is neither complicated to install nor difficult to operate your Output Transformer Unit, a few minutes of your time is required to read this manual for a properly wired installation and becoming familiar with its many features and how to use them. Please take a great care in unpacking your set and do not discard the carton and other packing materials. They may be needed when moving your set and are required if it ever becomes necessary to return your set for service.

Never place the unit near radiator, in front of heating vents, to direct sun light, in excessive humid or dusty location to avoid early damage and for yours of quality use. Connect your complementary components as illustrated in the following page.

 <p>CAUTION RISK OF ELECTRIC SHOCK DO NOT OPEN</p> <p>CAUTION: TO REDUCE THE RISK OF ELECTRIC SHOCK. DO NOT REMOVE COVER (OR BACK). NO USER-SERVICEABLE PARTS INSIDE. REFER SERVICING TO QUALIFIED SERVICE PERSONNEL.</p>	 <p>This symbol is intended to alert the user to the presence of uninsulated "dangerous voltage" within the product's enclosure that may be of sufficient magnitude to constitute a risk of electric shock to persons.</p>
<p>WARNING</p> <p>To prevent fire or shock hazard, do not expose the unit to rain or moisture.</p>	 <p>This symbol is intended to alert the user to the presence of important operation and maintenance (servicing) instructions in the literature accompanying the appliance.</p>
	<p>Attentions: Pour prévenir les chocs électriques ne pas utiliser cette fiche polarisée avec un prolongateur, une prise de courant on une autre sortie de courant, sauf si les lames peuvent être insérées à fond sans en laisser aucune partie à découvert.</p>

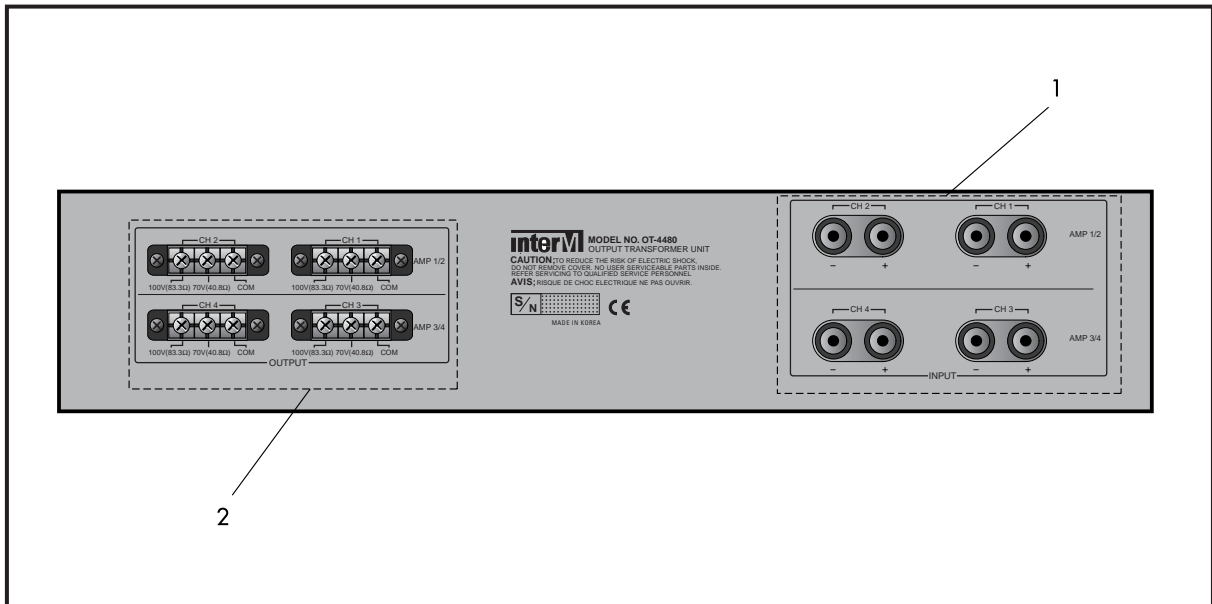
Features

- 4 Independent channels.
- 25V, 70V, 100V output terminal jacks.

Operating Method

This can be connected with multi ceiling-mounted speaker or column speaker with QD-4240(OT-4240), QD-4480(OT-4480).

Rear Panel Controls



1. AMP INPUT TERMINAL

These terminals are connected to output of QD-4240 (4Ω 60W), QD-4480 (4Ω 120W) or Low Impedance Amplifier.

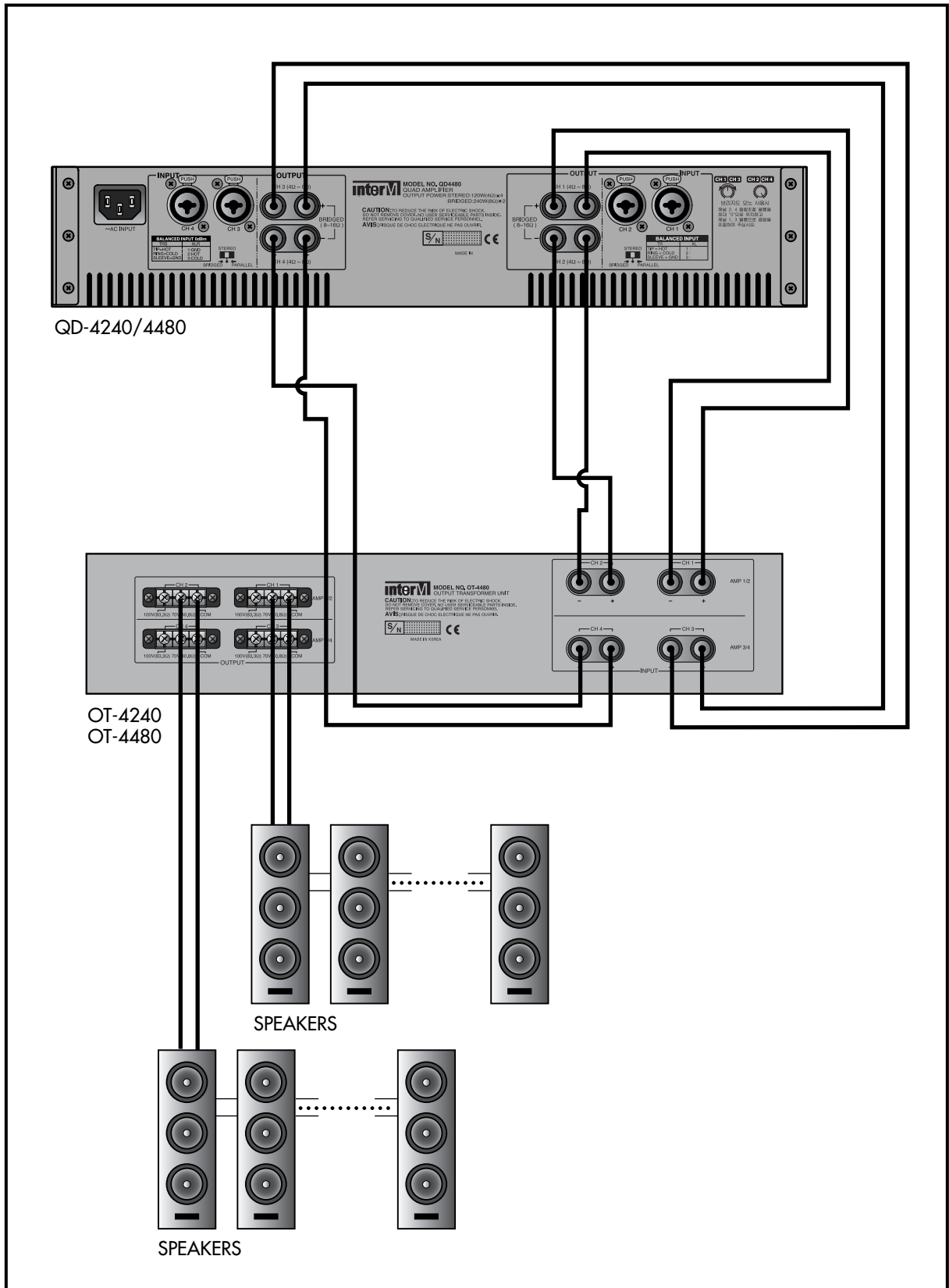
2. SPEAKER OUTPUT TERMINALS

In over 230V area these are 100V output terminal which connected with 166.7Ω (OT-4240), 83.3Ω (OT-4480) High Impedance or 70V output terminal which can be connected with 81.7Ω (OT-4240), 40.8Ω (OT-4480) High Impedance.

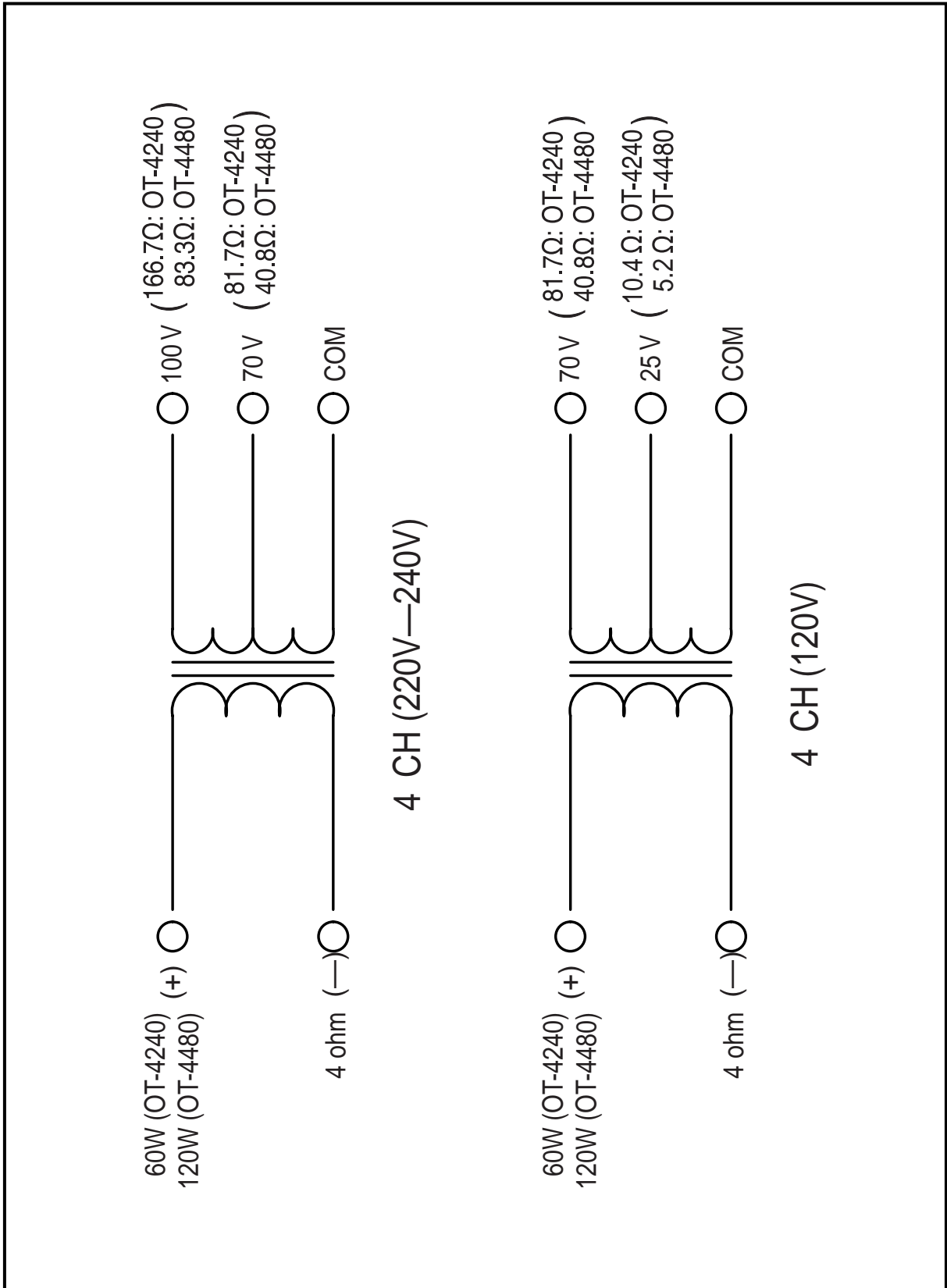
In 120 volt Area. You can use both 70V 81.7Ω (OT-4240), 40.8Ω (OT-4480) output terminal tap or 25V 10.4Ω (OT-4240), 5.2Ω (OT-4480) output terminal tap.

MODEL Voltage/Impedance	OT-4240 (AC 120V)	OT-4480 (AC 120V)	OT-4240 (AC 230V-240V)	OT-4480 (AC 230V-240V)
100V			166.7Ω	83.3Ω
70V	81.7Ω	40.8Ω	81.7Ω	40.8Ω
25V	10.4Ω	5.2Ω		

Applications



Block Diagram



Specifications

- ELECTRICAL

Rated Output	OT-4240: 25V (10.4Ω), 70V(81.7Ω), 100V(166.7Ω) OT-4480: 25V (5.2Ω), 70V(40.8Ω), 100V(83.3Ω)
Input	OT-4240: 4Ω/60W OT-4480: 4Ω/120W
Frequency Response (+1, -3dB).....	20Hz-20kHz

- GENERAL

Weight	OT-4240: 11.5kg OT-4480: 14.5kg
Dimensions	482(W) × 88(H) × 309(D)mm

* Specifications and design subject to change without notice for improvements.

NOTE
