

• **PU-442PL-KIT:** 4 x 4 HDBaseT Lite Matrix with PoE, plus 2 Additional Independent HDMI Zone Outputs

The CYP **PU-442PL-KIT** comprises a PU-424HBTE, plus 4 x PU-515PL-RX Receivers.

The PU-442PL Matrix features 4 x HDMI inputs, 4 x HDBaseT Lite Outputs, plus 2 x additional independent HDMI outputs – effectively providing a 4 x 6 HDMI Matrix.

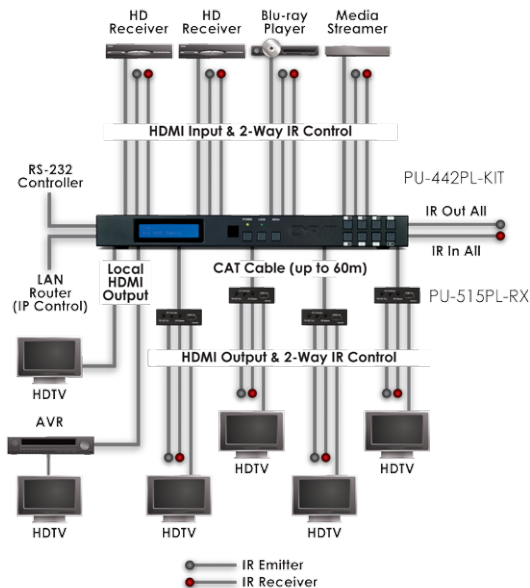
The HDBaseT Lite outputs will simultaneously transmit full 1080P HD video, PoE (Power over Ethernet), 2-way IR signals, multi-channel digital audio and control signals (IR, RS-232, Web GUI, IP Telnet) – all down single standard Cat5e/6/7 ethernet cable over distances of up to 60 metres.

The Matrix will accept up to 4 x HDMI Input sources (such as DVD, BluRay, Sky Box, digital TV etc) which can be distributed to any of the 6 Outputs. The 4 HDBaseT outputs feature PoE which will supply power to the PU-515PL Receiver units at the display ends of the system.

The HDBaseT Lite Matrix's IP control feature can be used to allow users or service engineers to access and control the device remotely and will also allow for integration of third-party control systems.

Features:

- Supports all v1.3 HDMI resolutions
- Supports uncompressed video/audio up to 10.2Gbps
- Common supported resolutions : HDTV: 480p, 576p, 720p, 1080i, 1080p, 1080p24; PC: VGA, SVGA, XGA, WXGA, SXGA, UXGA, WUXGA.
- HDMI, HDCP and DVI compliant
- High Definition Audio supported : Dolby TrueHD, Dolby Digital Plus and DTS-HD Master Audio plus LPCM (up to 192kHz)
- Uncompressed data transfer over single CAT cable (60m - CAT5e/6/7)
- Supports HDMI input up to 15m 1080p 8bit or 10m 1080p 12bit
- Supports RS-232, 2-Way IR, Manual Selection Buttons, and HDMI CEC control pass through
- Selectable EDID settings - TV (downstream) and STD (fixed)
- Compact 1U Rack mount design
- Supports 3D signals
- Supports additional IR Control via a master (ALL) Input/Output
- Supports full IP control
- Supplied with 4x PU-515PL-RX receivers



Specifications:

Model:	PU-442PL-KIT
Inputs:	4x HDMI [4x HDMI Uncompressed AV and Data] 5x 3.5mm Stereo mini-jack [5x Infra Red Receiver] 1x 9pin Dsub [1x RS-232 Data] 1x RJ45 [1x IP Control] 1x USB Mini B [1x Service Port - Proprietary Data]
Outputs:	4x RJ45 [4x HDBaseT Lite HDMI & Proprietary Data] 2x HDMI [2x HDMI Uncompressed AV and Data] 5x 3.5mm Stereo mini-jack [5x Infra Red Emitter]
PSU:	24w/6.25A
Dimensions:	310 [W] x 250 [D] x 210 [H] mm
Net. Weight:	3.34kg