



• **PU-607BD-RX: HDBaseT HDMI over Single Cat5e/6/7 Receiver incl. Bi-Directional PoE (100m transmission)**

The **PU-607BD-RX** is a full 5Play HDBaseT Receiver with the additional feature of bi-directional (two-way) Power-over-Ethernet (PoE).

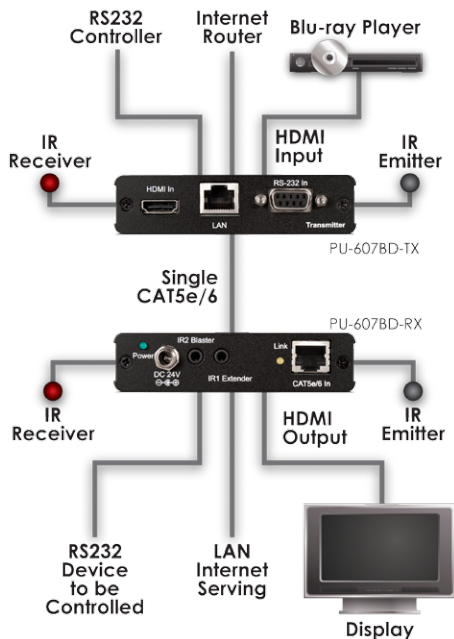
Paired with the CYP PU-607BD-TX or PU-607BDWP-TX, this 5Play HDBaseT Receiver will simultaneously transmit uncompressed HDMI, Ethernet, RS-232, IR and PoE over distances of up to 100 metres via a standard single Cat5e/6/7 cable, significantly reducing installation time and costs.

The PU607BDRX Receiver's bi-directional PoE function will allow Power-over-Ethernet to be sent by either the transmitter or receiver – whichever balun has easier access to power – providing power to its 'counterpart' balun at the other end of the line.

This feature can be particularly useful when used in conjunction with the CYP PU-607BDWP-TX or PU-607BDWP-RX Wall Plate Balun versions, where PoE supply from the Cat cable negates the need for placing a large/unsightly plugtop power supply next to the wallplate device.

**Features:**

- Supports all v1.4 HDMI resolutions including 4K.
- Supports uncompressed video/audio up to 10.2Gbps
- Common supported resolutions : HDTV: 480p, 576p, 720p, 1080i, 1080p; PC: VGA, SVGA, XGA, WXGA, SXGA, UXGA, WUXGA.
- HDMI, HDCP, & DVI compliant
- Supports HDCP repeating and CEC functions
- Uncompressed data transfer over single CAT cable (100m - CAT6/7; 80m - CAT5e)
- Uncompressed video 1080p, 60Hz, 48bits
- Audio support up to 7.1CH & Dolby TrueHD, DTS-HD
- 5-Play™ convergence: HDMI, LAN, Bi-Directional POE & Control (IR & RS232)
- Supports 3D signals
- Supports Bi-Directional Power over Ethernet (PoE)
- Note : Only compatible with PU-607BD-TX & PU-607BDWP-TX Transmitters



**Specifications:**

Model:	PU-607BD-RX
Inputs:	1x RJ45 [1x HDMI & Propriety Data] 1x 3.5mm Stereo mini-jack [1x Infra Red Receiver]
Outputs:	1x HDMI [1x HDMI Uncompressed AV and Data] 1x 9pin Dsub [1x RS-232 Data] 1x 3.5mm Stereo mini-jack [1x Infra Red Emitter] 1x RJ45 [1x Ethernet (I/O) IP]
PSU:	24V / 1.25A
Dimensions:	100(W) x 25(H) x 115(D) mm
Net. Weight:	260g