



• **PU-16H8HBTL: 16 x 8 HDMI HDBaseT Lite Matrix (60m transmission)**

The **CYP PU-16H8HBTL** is an 16 x 8 HDMI to HDBaseT Lite professional AV Matrix.

Designed to deliver unrivalled levels of flexibility and performance in HDMI control and distribution, the **PU-16H8HBTL** is a professional AV Modular Matrix for multi-zone / multi-room commercial and domestic audio visual systems.

Using the latest HDBaseT Lite technology, the **PU16H8HBTL** provides control, switching and distribution of up to 16 individual HDMI sources (such as BluRay, Sky/digital TV, DVD, games consoles, video streamers, etc) plus 2-way IR and RS-232; simultaneously distributing all signals over standard Cat5e/6/7 cable to distances of up to 60 metres.

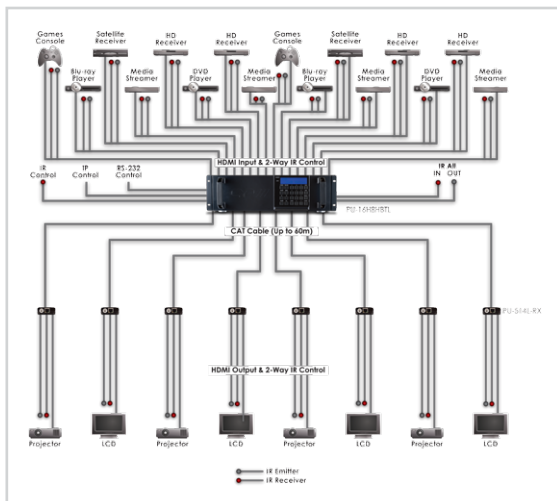
This particular model of the **CYP Modular Matrix** is pre-configured with 8 HDBaseT Lite outputs, allowing any of the 16 HDMI sources to be sent to any of the 8 HDBaseT outputs. This **HDMI-to-HDBaseT Lite Matrix** is designed for use with the CYP Receiver models **PU-514LFRX** or **PU-514L-WPRX**.

The **CYP PU-16H8HBTL** also features 2 x removable internal Power Supply Units allowing for quick, simple inspection and maintenance without the need for any system downtime. The HDMI to HDBaseT Matrix also features an additional DVI output for local monitoring, giving installers/engineers easy access to monitoring, test and configuration of all inputs and outputs.

The HDMI-HDBaseT Lite 16x8 Matrix also features I.P. control allowing users to access and control their AV distribution system remotely, together with the opportunity to integrate third-party control systems such as Control4, AMX, Crestron or Demopad.

Features:

- HDMI, HDCP and DVI compliant
- Supports uncompressed video/audio up to 10.2Gbps
- Common supported resolutions : HDTV: 480i, 480p, 576i, 576p, 720p, 1080i, 1080p, 1080p24; PC: VGA, SVGA, XGA, WXGA, SXGA, UXGA, WUXGA.
- High Definition Audio supported : Dolby TrueHD, Dolby Digital Plus and DTS-HD Master Audio plus LPCM (up to 192kHz)
- Uncompressed data transfer over single CAT cable (60m - CAT5e/6/7)
- Supports RS-232, 2-Way IR, and Manual Selection Buttons
- Supports HDMI input up to 15m 1080p 8bit or 10m 1080p 12bit
- Supports RS-232 for Matrix Control, plus RS-232 pass-through : Third-party devices can be controlled in each zone via RS-232 from the head-end to the receiver, or head-end devices can be controlled via RS-232 from any receiver in any zone.
- Advanced EDID management settings
- Onboard Operating Temperature Diagnostics
- Recall function allows users to save up to 10 pre-configured Input/Output settings
- Supports 3D signals
- Supports full IP control via Telnet or web GUI



Specifications:

Model:	PU-16H8HBTL
Inputs	16x HDMI [16x HDMI Uncompressed AV and Data] 1x 3.5mm Stereo mini-jack [1x IR Propriety Data] 1x 9pin Dsub [1x RS-232 Data] 1x RJ45 [1x IP Control] 9x 3.5mm Stereo mini-jack [9x Infra Red Receiver] 1x USB Mini B [1x Service Port Propriety Data]
Outputs	8x RJ45 [8x HDBaseT Lite HDMI & Propriety Data] 9x 3.5mm Stereo mini-jack [9x Infra Red Emitter] 1x DVI-I [1x Monitor DVI-D]
Dimensions	440(W) x 130(H) x 360(D) mm
Net Weight	1210g