

# PU-507WPRX New Product

## v1.4 HDMI over Single CAT5e/6/7 HDBaseT™ - PoE Wall Plate Receiver (full 5-Play™ & Single LAN up to 100m)

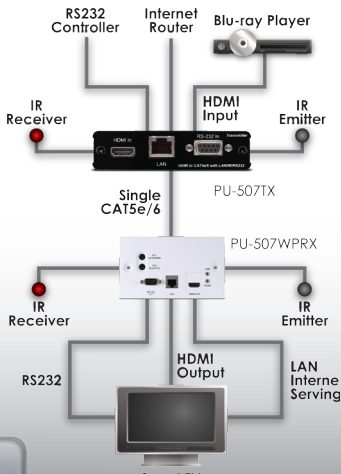


5Play™  

The PU-507-WPRX Wall Plate Receiver allows uncompressed HDMI signals and IP data to be received over a Single CAT5e/6/7 cable. This solution has the added features of RS-232, LAN, IP Control, 2-way IR, and Power over Ethernet (PoE) functionality over the same CAT5e/6/7 cable. These combined HDMI and control signals can be transmitted up to lengths of 100 metres.

### FEATURES

- Supports all v1.3 HDMI resolutions plus 4k.
- Supports uncompressed video/audio up to 10.2Gbps
- Common supported resolutions: HDTV: 480p, 576p, 720p, 1080i, 1080p, 1080p24; PC: VGA, SVGA, XGA, WXGA, SXGA, UXGA, WUXGA.
- HDMI, HDCP, & DVI compliant
- Supports HDCP repeating and CEC functions
- Uncompressed data transfer over single CAT cable (100m - CAT6/7; 80m - CAT5e)
- Uncompressed video 1080p, 60Hz, 48bits
- Audio support up to 7.1CH & Dolby TrueHD, DTS-HD
- 5-Play™ convergence: HDMI, LAN, POE & Control (IR & RS232)
- Supports 3D signals



### SPECIFICATIONS

Input:	1x RJ45 (1x HDMI & Proprietary Data) 1x 3.5mm Stereo mini-jack (1x Infra Red Receiver)
Output:	1x HDMI (1x HDMI Uncompressed AV and Data), 1x 9pin Dsub (1x RS-232 Data), 1x 3.5mm Stereo mini-jack (1x Infra Red Emitter), 1x RJ45 (1x Ethernet I/O) IP
Power:	Self-powering RX via PoE
Dimensions:	145mm (W) x 85mm (D) x 40mm (H)
Gross Weight:	600g
Net. Weight:	360g
Packaging:	Boxed

