

• **PU-607BDWP-RX:** HDMI over Single CAT5e / 6 / 7 HDBaseT - Bi-Directional PoE Wallplate Receiver (Full 5Play & Single LAN up to 100 metres)

The PU-607BDWP-RX Wallplate Receiver allows uncompressed HDMI signals and IP data to be received via a single CAT5e/6/7 cable. This solution has the added features of RS-232 and 2-way IR control functionality over the same CATx cable. These combined HDMI and control signals can be transmitted up to lengths of 100 metres.

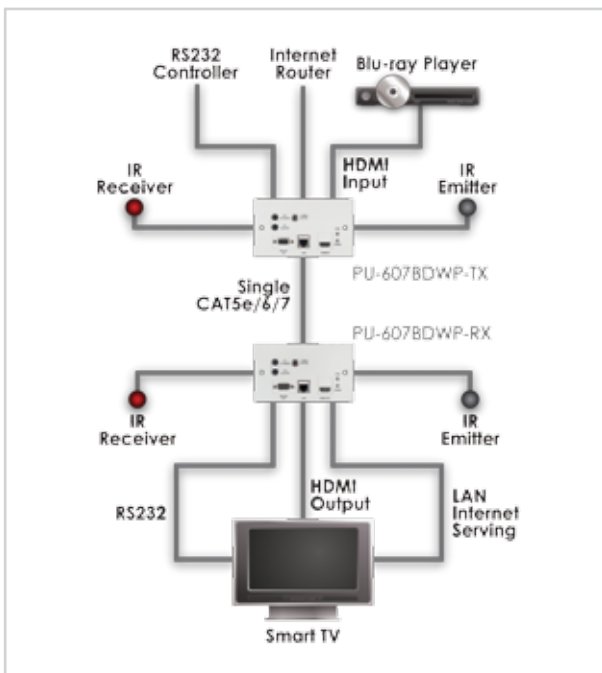
This Receiver is designed to be used with the PU-607BD-TX and PU-607BDWP-TX Transmitters only, which enables Bi-Directional Power-over-Ethernet (PoE) functionality.

Features:

- Supports all v1.4 HDMI resolutions including 4K
- Supports uncompressed video/audio up to 10.2Gbps
- Common supported resolutions: HDTV: 480p, 576p, 720p, 1080i, 1080p, 1080p24; PC: VGA, SVGA, XGA, WXGA, SXGA, UXGA, WUXGA
- HDMI, HDCP & DVI compliant
- Supports HDCP repeating and CEC functions
- Uncompressed data transfer over single CAT cable (100 metres - CAT6/7; 80 metres - CAT5e)
- Uncompressed video 1080p, 60Hz, 48bits
- Audio support up to 7.1Ch & Dolby TrueHD, DTS-HD
- 5Play convergence: HDMI, LAN, Bi-Directional PoE & Control (IR & RS-232)
- Supports 3D signals
- Supports Bi-Directional Power-over-Ethernet (PoE)

Compatible Transmitters:

- PU-607BD-TX, PU-607BDWP-TX



Specifications:

Model: PU-607BDWP-RX	
Inputs	1x RJ45 (1x HDMI & Proprietary Data) 1x 3.5mm Stereo mini-jack (1x Infrared Receiver)
Outputs	1x HDMI (1x HDMI Uncompressed AV and Data), 1x 9pin Dsub (1x RS-232 Data), 1x 3.5mm Stereo mini-jack (1x Infrared Emitter), 1x RJ45 (1x Ethernet (I/O) IP)
PoE PSU	Bi-directional PoE
Power	24v DC/1.25A (US/EU standards, CE/FCC/UL certified)
Dimensions	185(W) x 85(H) x 40(D) mm
Net Weight	160g