



• **PU-8H16HBT: 8 x 16 HDMI HDBaseT Matrix including PoE (100m transmission)**

The CYP PU-8H16HBT is an 8 x 16 HDMI to HDBaseT professional AV Matrix.

Designed to deliver unrivalled levels of flexibility and performance in HDMI control and distribution, the PU-8H16HBT is a professional AV Modular Matrix for multi-zone / multi-room commercial and domestic audio visual systems.

Using the latest HDBaseT technology, the PU8H16HBT provides control, switching and distribution of up to 8 individual HDMI sources (such as BluRay, Sky/digital TV, DVD, games consoles, video streamers, etc) plus 2-way IR, RS-232 and Power-over-Ethernet; simultaneously distributing all signals over standard Cat5e/6/7 cable to distances of up to 100 metres.

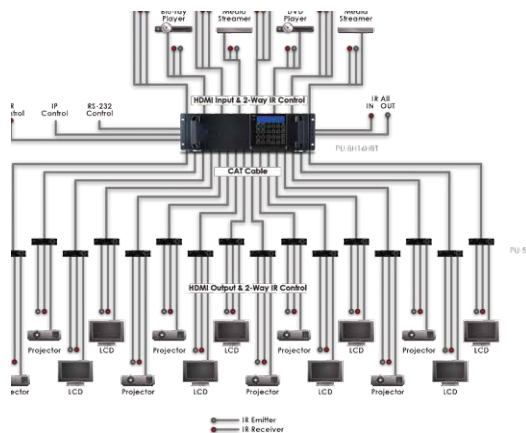
This particular model of the CYP Modular Matrix is pre-configured with 16 HDBaseT outputs, allowing any of the 8 HDMI sources to be sent to any of the 16 HDBaseT outputs. This HDMI-to-HDBaseT Matrix is designed for use with the CYP Receiver models PU-507RX, PU-507WPRX, PU-507RX-2H or PU-507RX-SCD – each of which can be powered using the PoE (Power-over-Ethernet) of the Matrix.

The CYP PU-8H16HBT features 2 x removable internal Power Supply Units allowing for quick, simple inspection and maintenance without the need for any system downtime. The HDMI to HDBaseT Matrix also features an additional DM output for local monitoring, giving installers/engineers easy access to monitoring, test and configuration of all inputs and outputs.

The HDMI-HDBaseT 8x16 Matrix also features I.P. control allowing users to access and control their AV distribution system remotely, together with the opportunity to integrate third-party control systems such as Control4, AMX, Crestron or Demopad.

**Features:**

- HDMI, HDCP and DVI compliant
- Supports uncompressed video/audio up to 10.2Gbps
- Common supported resolutions : HDTV: 480i, 480p, 576i, 576p, 720p, 1080i, 1080p, 1080p24; PC: VGA, SVGA, XGA, WXGA, SXGA, UXGA, WUXGA.
- High Definition Audio supported : Dolby TrueHD, Dolby Digital Plus and DTS-HD Master Audio plus LPCM (up to 192kHz)
- Uncompressed data transfer over single CAT cable (100m - CAT6/7; 80m - CAT5e)
- Supports RS-232, 2-Way IR and Manual Selection Buttons
- Supports HDMI input up to 15m 1080p 8bit or 10m 1080p 12bit
- Supports RS-232 for Matrix Control, plus RS-232 pass-through : Third-party devices can be controlled in each zone via RS-232 from the head-end to the receiver, or head-end devices can be controlled via RS-232 from any receiver in any zone.
- Advanced EDID management settings
- Onboard Operating Temperature Diagnostics
- Recall function allows users to save up to 10 pre-configured Input/Output settings
- Supports 3D signals and full IP control via Telnet or web GUI
- Integrated IP to RS-232 conversion
- Internal command conversion from IP (Telnet) to RS-232



**Specifications:**

|                    |  |
|--------------------|--|
| <b>Model:</b>      | <b>PU-8H16HBT</b>  |
| <b>Inputs</b>      | 8x HDMI [8x HDMI Uncompressed AV and Data]<br>1x 9pin Dsub [1x RS-232 Data]<br>8x 3.5mm Stereo mini-jack [8x Infrared Receiver]<br>1x 3.5mm Stereo mini-jack [1x IR Propriety Data]<br>1x RJ45 [1x IP Control]<br>1x USB Mini B [1x Service Port Propriety Data] |
| <b>Outputs</b>     | 8x 3.5mm Stereo mini-jack [8x Infrared Emitter]<br>1x DVI-I [1x Monitor Output DVI-D]<br>16x RJ45 [16x HDBaseT HDMI & Propriety Data]  |
| <b>Dimensions</b>  | 440(W) x 130(H) x 360(D) mm  |
| <b>Net. Weight</b> | 12 kg  |