



• **PU-8V16HBT:** 16 x 8 VGA HDBaseT Matrix including PoE (100m transmission)

The **CYP PU-8V16HBT** is an 8 x 16 VGA to HDBaseT professional AV Matrix.

Developed to provide unrivalled levels of flexibility and performance for the control and distribution of AV signals, the **PU-8V16HBT** provides a professional grade Matrix for installed commercial and multi-zone / multi-room domestic audio visual systems.

Using the latest HDBaseT technology, the **PU8V16HBT** provides control and switching of up to 8 individual VGA sources (such as PC, laptops, video conference systems and games consoles) plus 2-way IR, RS-232 and Power-over-Ethernet; distributing all signals simultaneously over standard Cat5e/6/7 cable to distances of up to 100 metres.

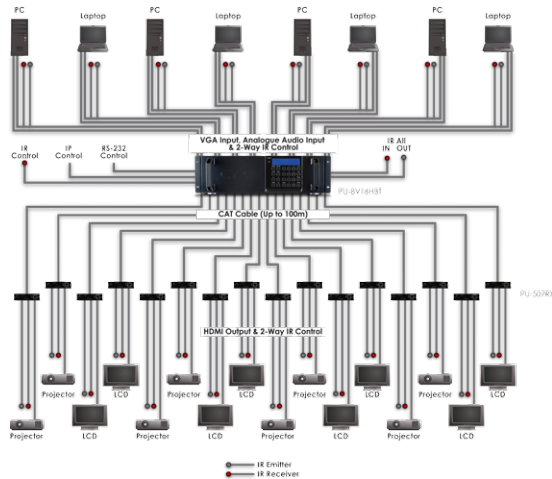
This version of the **CYP Modular Matrix** is pre-configured with 16 HDBaseT outputs, allowing any of the 8 VGA sources to be sent to any of the 16 HDBaseT outputs; scaling and converting the AV signal to HDMI at the Receiver end of each CatX cable. This **VGA-to-HDBaseT Matrix** is designed for use with the CYP Receiver models **PU-507RX**, **PU-507WPRX**, **PU-507RX-2H** or **PU-507RX-SCD** – each of which can be powered using the PoE (Power-over-Ethernet) of the Matrix.

The **CYP PU-8V16HBT** includes 2 x removable internal PSUs which allow for fast, easy inspection and maintenance without the need for any system downtime. The VGA to HDBaseT Matrix also features an additional DVI output for local monitoring, giving installers/engineers easy access to monitoring, test and configuration of all inputs and outputs.

The Matrix also features I.P. control to allow users to access and control their AV distribution system remotely, as well as the opportunity to integrate third-party control systems such as Control4, AMX, Crestron or Demopad.

Features:

- Supports uncompressed video/audio up to 10.2Gbps
- Common supported resolutions: HDTV: 480p, 576p, 720p, 1080p; PC: VGA, SVGA, XGA, WXGA, SXGA, UXGA, WUXGA.
- Analogue Audio Supported via 3.5mm Stereo Jacks
- Uncompressed data transfer over single CAT cable (100m - CAT6/7; 80m - CAT5e)
- Supports RS-232, 2-Way IR, and Manual Selection Buttons
- Supports RS-232 for Matrix Control, plus RS-232 pass-through : Third-party devices can be controlled in each zone via RS-232 from the head-end to the receiver, or head-end devices can be controlled via RS-232 from any receiver in any zone.
- Onboard Operating Temperature Diagnostics
- Recall function allows users to save up to 10 pre-configured Input/Output settings
- Supports full IP control via Telnet or web GUI
- Integrated VGA to HDMI conversion supported (no scaling)



Specifications:

Model:	PU-8V16HBT
Inputs	8x 15pin Dsub [8x VGA RGBHV] 8x 2.5mm Stereo mini-jack [8x Analogue Stereo (L/R)] 1x 9pin Dsub [1x RS-232 Data] 1x RJ45 [1x IP Control] 17x 3.5mm Stereo mini-jack [17x Infra Red Receiver] 1x USB Mini B [1x Service Port Propriety Data] 1x 3.5mm Stereo mini-jack [1x IR Propriety Data]
Outputs	16x RJ45 [16x HDBaseT HDMI & Propriety Data] 17x 3.5mm Stereo mini-jack [17x Infra Red Emitter] 1x DVI-I [1x Monitor DVI-D]
Dimensions	440(W) x 130(H) x 360(D) mm
Net. Weight	12 kg