

FEATURES

- High-quality EMINENCE woofer driver
- IMPALA Titanium compression driver
- 90°x60° constant directivity horn
- HF driver protection circuit
- 16 gauge powder coating steel grill
- Pole mount and rigging points (M8)x6
- optimized crossover design
- environmentally friendly high-density sound-absorbing material
- Enclosure designed for cluster installation

APPLICATIONS

- Live Stage
- House of Worship
- Cultural and Sports Facilities
- Restaurant
- Auditorium / Lecture Halls
- Health club

OVERVIEW

The SE-K series is a compact 2Way point source type loudspeaker that can be used in a variety of applications. With its wide and dynamic frequency response, the SE-K series loudspeaker accurately reproduces a wide range of frequency including a tight and powerful base.

The SE-K series speakers can be used as a main PA, as delay or fill boxes as well as program monitors.

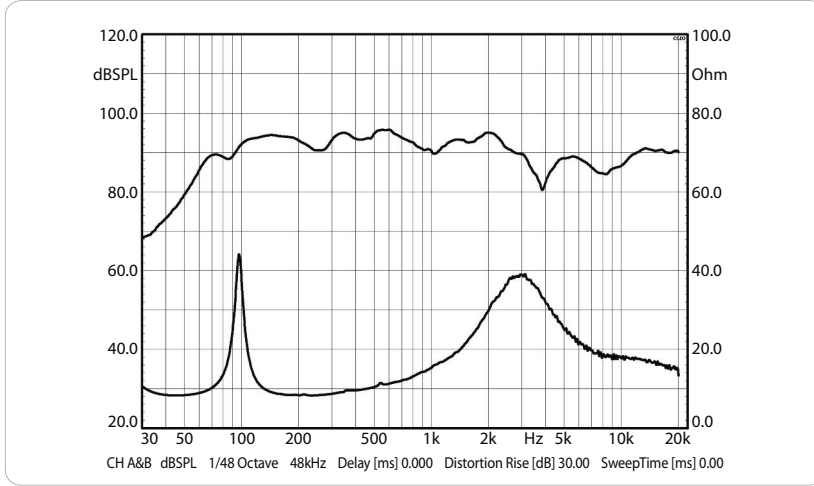
The enclosure design features multiple rigging points for easy horizontal or vertical Array and installation convenience. The SE-K series is designed considering the requirement for quality sound at an economical price. For applications where extended low frequency is required, the SE-K series can be coupled with the matching CSB-K series subwoofer.



SPECIFICATIONS

Type	2Way Passive Point Source
Frequency Range (-10dB)	55Hz ~ 20kHz
Rated Power (AES)	150W
Rated Power (Program)	300W
Rated Power (Peak)	600W
Recommended Amplifier Power	300W
Sensitivity (1W/1m)	94dB SPL
Maximum SPL (Peak)	121dB SPL
Normal Dispersion (H/V)	90° H/60° V (Rotatable)
Nominal Impedance	8Ω
Transformer Taps (70V/100V)	-
Recommended High-Pass Filter	45Hz 12dB/Oct.
LF Driver	10" Vented Woofer (EMINENCE DG)
HF Driver	1.35" Titanium Compression (IMPALA)
Horn	90° H/60° V (Rotatable)
Enclosure Material	15T MDF
Grill	Black powder coated 16 gauge hexagon perforated steel, protection mesh backing/ Powder Coated Punching Metal
Connectors	1xSpeakon NL4, 1xPush terminal
Fittings/Suspension	6xM8 inserts(2xtop, 2xbottom, 3xrear), PoleCup
Finish	Textured black RoHS compliant paint/ WATER-BORNE PAINTING
Color	BLACK
Weights (Net)	10.9kg/24lb
Dimensions (Net, WxHxD)	330x480x360mm (13x18.9x14.2in)
Optional Accessories	SB-30HA (Wall Bracket)

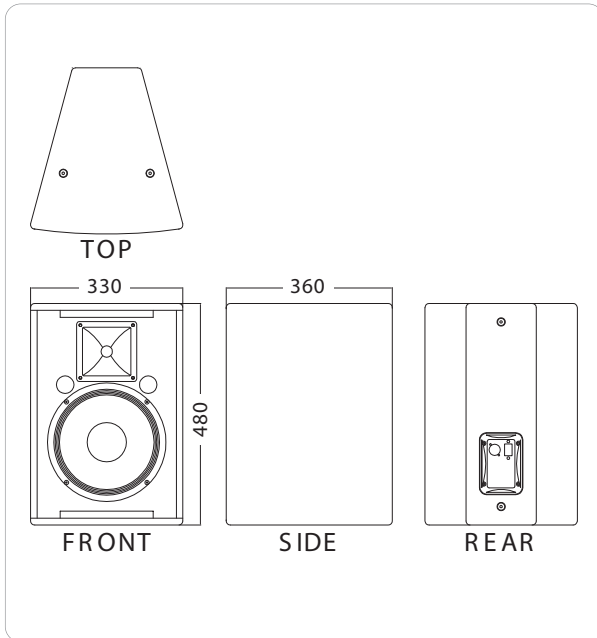
FREQUENCY/IMPEDANCE RESPONSE



[SPL VS Freq]

[Imp VS Freq]

DIMENSION



POLAR PATTERN

