



HDCP2.2

4KHDR

SY-HDVGA-4K22

PC/HDMI to HDMI 4K Scaler with Audio

OPERATION MANUAL

SAFETY PRECAUTIONS

Please read all instructions before attempting to unpack, install or operate this equipment and before connecting the power supply.

Please keep the following in mind as you unpack and install this equipment:

- Always follow basic safety precautions to reduce the risk of fire, electrical shock and injury to persons.
- To prevent fire or shock hazard, do not expose the unit to rain, moisture or install this product near water.
- Never spill liquid of any kind on or into this product.
- Never push an object of any kind into this product through any openings or empty slots in the unit, as you may damage parts inside the unit.
- Do not attach the power supply cabling to building surfaces.
- Use only the supplied power supply unit (PSU). Do not use the PSU if it is damaged.
- Do not allow anything to rest on the power cabling or allow any weight to be placed upon it or any person walk on it.
- To protect the unit from overheating, do not block any vents or openings in the unit housing that provide ventilation and allow for sufficient space for air to circulate around the unit.

REVISION HISTORY

VERSION NO.	DATE (DD/MM/YY)	SUMMARY OF CHANGE
VR0	04/07/16	Preliminary release
VR1	23/09/16	Supported resolution
VS2	14/11/16	Updated text/diagrams

CONTENTS

1. Introduction	1
2. Applications	1
3. Package Contents	1
4. System Requirements	2
5. Features	2
6. Operation Controls and Functions	3
6.1 Front Panel	3
6.2 Rear Panel.....	4
6.3 OSD Menu	5
7. Connection Diagram	9
8. Specifications	10
8.1 Technical Specifications	10
8.2 Video Specifications	11
8.2.1 Supported Resolutions.....	11
8.2.2 Scaled Resolutions	12
8.3 Audio Specifications	13
9. Acronyms	14

1. INTRODUCTION

The SY-HDVGA-4K22 is a compact and versatile scaler with HDMI and VGA inputs, scaling to the HDMI output. With its wide range of input resolution support and full 4K@60Hz (4:4:4) output it's ideal for presenting content to the latest full UHD displays.

The unit also features analogue stereo and digital optical audio inputs and outputs for integrating into any wider audio systems. Its OSD allows user to adjust contrast, brightness, hue, saturation, sharpness, RGB (colour tone) level and aspect ratio size. Auto sync, auto input detection and HDMI EDID management complete the units simple yet comprehensive OSD menu system.

2. APPLICATIONS

- Home Theater with 4K@60Hz HDMI media player and VGA home PC with output to a 4K@60Hz TV
- Boardroom presenter connection point with auto-switching to new presenters and output to a large 4K display
- Lecture Hall, Showroom or Classroom signal display
- Displaying analog PC/HD contents on an HDMI display with audio

3. PACKAGE CONTENTS

- 1×HDMI/VGA to HDMI Scaler
- 1×5V/2.6A Power Adaptor
- 1×Operation Manual

4. SYSTEM REQUIREMENTS

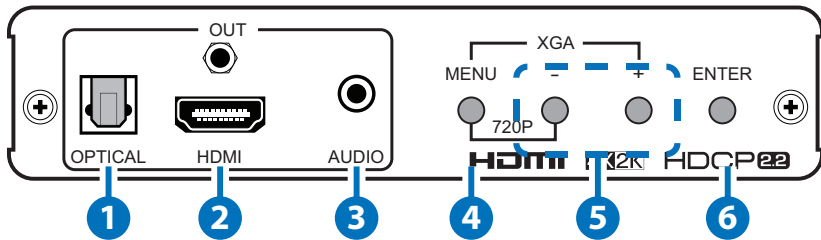
- HDMI or VGA source equipment such as media players, video game consoles, set-top boxes, PCs or laptops
- HDMI receiving equipment such as HDTVs, monitors or audio amplifiers
- The use of "Premium High Speed HDMI" cables is highly recommended

5. FEATURES

- HDMI 2.0 with 4K@60Hz (4:2:0 and 4:4:4) support, DVI 1.0 compliant
- HDCP 2.2 compliant
- Supports PC input resolutions from VGA~WUXGA and HD input resolutions from 480i~1080p@60Hz
- Supports HDMI input resolutions from 480i~4K@60Hz (4:4:4, 8-bit)
- Supports HDMI output resolutions from 640×480@60Hz up to 4096×2160@60Hz (4:4:4, 8-bit)
- Analog YUV input is supported with the use of a 15-pin to 3-RCA adapter
- 50/60Hz frame rate conversion
- 3-D motion adaptive de-interlacing and 3:2/2:2 pull-down detection and recovery
- Can automatically detect and output the preferred resolution and refresh rate reported by the EDID of the connected display (NATIVE output mode)
- EDID management options including multiple pre-defined EDIDs and EDID pass-through
- Comprehensive output picture adjustments (contrast, brightness, hue, saturation, sharpness, RGB (color tone) level and aspect ratio size)
- Supports LPCM 2.0 digital/analog audio input and LPCM 2.0 digital/analog output. The audio source is selected via the OSD and output simultaneously over the HDMI, optical and phone jack connections
- Supports firmware updates via USB

6. OPERATION CONTROLS AND FUNCTIONS

6.1 Front Panel



1 OPTICAL OUT: Connect to powered speakers or an amplifier for digital audio output using an appropriate optical cable. Supports LPCM 2.0 audio only. Bitstream formats will be muted.

2 HDMI OUT: Connect to HDMI TVs, monitors or amplifiers for digital video and audio output.

Note: When outputting 4K@60Hz HDMI signals, a compatible 4K@60Hz display is required. The use of "Premium High Speed HDMI" cables is highly recommended.

3 AUDIO OUT: Connect to powered speakers or an amplifier for stereo analog audio output. Supports LPCM 2.0 audio only. Bitstream formats will be muted.

4 MENU: Press to enter the OSD menu, or to back out from menu items.

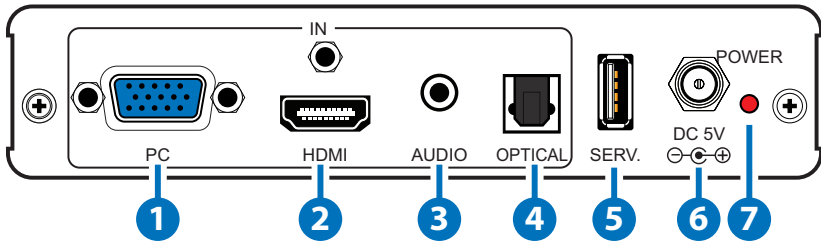
Note: Pressing "MENU" and "+" together will reset the output resolution to XGA (1024x768@60Hz). Pressing "Menu" and "-" together will reset the output resolution to 720p@60Hz.

5 -/+: Press to move up and down or adjust selections within menus. When not in the OSD press "-" to adjust the analog audio output volume (with on screen level indicator). Press "+" to activate the Auto Adjust function for VGA sources.

6 ENTER: Press to confirm a selection or to go deeper into a menu item within the OSD. When not in the OSD this button switches between the 2 inputs.

Note: Pressing "ENTER", "+" and "-" together will perform a factory reset on the unit.

6.2 Rear Panel



- 1 PC IN:** Connect to VGA source equipment such as a PC or laptop. YUV sources, such as DVD players, are also supported with the use of a 15-pin to 3-RCA adapter.
- 2 HDMI IN:** Connect to HDMI source equipment such as a media player, game console or set-top box. DVI sources are also supported with the use of an HDMI to DVI adapter.
Note: When outputting 4K@60Hz HDMI signals, a compatible 4K@60Hz display is required. The use of "Premium High Speed HDMI" cables is highly recommended.
- 3 AUDIO IN:** Connect to the stereo analog output of a device such as a CD player or PC.
- 4 OPTICAL IN:** Connect to the optical audio output of a device such as a media player or game console using an appropriate optical cable.
- 5 SERVICE:** This slot is reserved for firmware update use only.
- 6 DC 5V:** Plug the 5V DC power adapter into the unit and connect it to an AC wall outlet for power.
- 7 POWER LED:** This LED will illuminate to indicate the unit is on and receiving power.

6.3 OSD Menu

MAIN MENU	SUB MENU	PARAMETER	DEFAULT
PICTURE	CONTRAST	0~100	50
	BRIGHTNESS	0~100	50
	EXIT		
FINETUNE [HDMI/YPbPr source only]	HUE	0~100	50
	SATURATION	0~100	50
	SHARPNESS	0~100	50
	NR	OFF	OFF
		LOW	
		MIDDLE	
HIGH			
EXIT			
FINETUNE [PC source only]	PHASE	0~100	
	CLOCK	0~100	
	H-POSITION	0~100	
	V-POSITION	0~100	
	EXIT		
COLOR	RED	0~100	50
	GREEN	0~100	50
	BLUE	0~100	50
	EXIT		
OUTPUT	SOURCE	PC/YPbPr	HDMI
		HDMI	
	RESOLUTION*	640×480@60	NATIVE
		800×600@60	
		1024×768@60	
		1280×768@60	
		1360×768@60	
		1280×800@60	

MAIN MENU	SUB MENU	PARAMETER	DEFAULT
OUTPUT (Cont.)	RESOLUTION (Cont.)	1280×1024@60	NATIVE
		1440×900@60	
		1400×1050@60	
		1680×1050@60	
		1600×1200@60	
		1920×1200@60 (RB)	
		480P@60	
		576P@50	
		720P@50	
		720P@60	
		1080P@50	
		1080P@60	
		4K2K@24	
		4K2K@25	
		4K2K@30	
		4K2K@50	
		4K2K@60	
		4K2K@50 (4:2:0)	
		4K2K@60 (4:2:0)	
	NATIVE		
	UHD BYPASS	BYPASS	SCALER
		SCALER	
	SIZE*	FULL	BEST FIT
		OVER SCAN	
		UNDER SCAN	
		LETTER BOX	
		PAN SCAN	
		BEST FIT	
	EXIT		

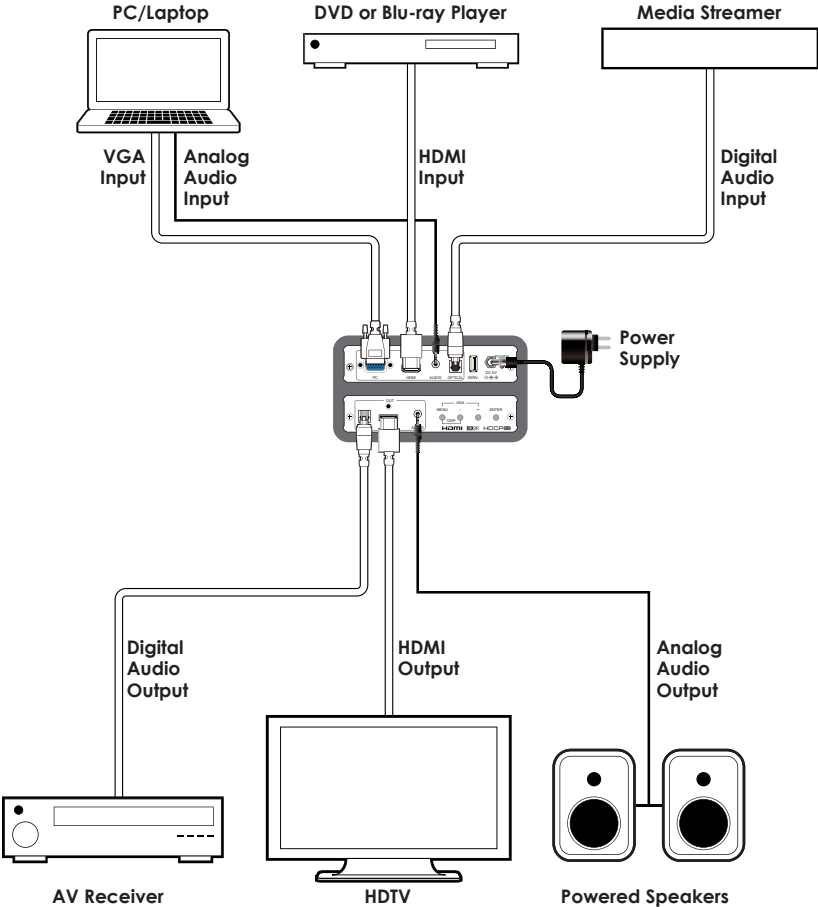
MAIN MENU	SUB MENU	PARAMETER	DEFAULT	
AUDIO	HDMI INPUT	AUTOMATIC	<i>AUTOMATIC</i>	
		EMBEDDED		
		ANALOG		
		OPTICAL		
	PC INPUT	ANALOG	<i>ANALOG</i>	
		OPTICAL		
	VOLUME [Analog audio only]	0~100	<i>100 [=2Vrms]</i>	
EXIT				
OSD	TIMER	OFF	<i>10</i>	
		5~100		
	DISPLAY	INFO	<i>INFO</i>	
		ON		
		OFF		
	EXIT			
	EDID MANAGE [HDMI source only]	EDID COPY	DEF. 1080P	<i>DEF. 1080P</i>
DEF. 4K2K (6G)				
DEF. 4K2K				
DEF. 4K2K (3G)				
OUTPUT				
EXIT				
ADVANCED		AUTO SYNC	OFF	<i>OFF</i>
	FAST [≈ 10sec.]			
	SLOW [≈ 120sec.]			
	AUTO INPUT	OFF	<i>AUTO SWITCH</i>	
		AUTO SWITCH		
	HDCP ON INPUT	OFF	<i>ON</i>	
		ON		

MAIN MENU	SUB MENU	PARAMETER	DEFAULT
ADVANCED (Cont.)	AUTO ADJUST	OFF	OFF
		ON	
	EXIT		
FACTORY	RESET	NO	NO
		YES	
	EXIT		

Note:

- When outputting a 4K resolution with the same refresh rate as the 4K source (or when bypass mode is enabled) the OSD items marked with an asterisk (*) will be disabled.
- When a new output resolution is selected the output will immediately change and you will be asked to confirm that you can view the new resolution by pressing "Enter". If "Enter" is not pressed within 30 seconds the output will return to the previous resolution automatically.

7. CONNECTION DIAGRAM



8. SPECIFICATIONS

8.1 Technical Specifications

Video Bandwidth	600MHz/18Gbps
Input Ports	1×HDMI, 1×VGA [15-pin D-sub], 1×Optical Audio, 1×3.5mm Audio
Output Ports	1×HDMI, 1×Optical Audio, 1×3.5mm Audio
Supported Resolutions	408i@60Hz - 4K@60Hz (4:4:4, 8-bit) VGA@60Hz - WUXGA@60Hz (RB)
Cable Length	10m (1080p@60Hz, 12-bit) 5m (4K@60Hz, 4:4:4, 8-bit)
Power Supply	5V/2.6A DC (US/EU standards, CE/FCC/UL certified)
ESD Protection	Human Body Model: ±8KV (Air Discharge), ±4KV (Contact Discharge)
Dimensions	145mm×30mm×192mm (W×H×D) [Case Only] 145mm×30mm×201.2mm (W×H×D) [All Inclusive]
Weight	578g
Chassis Material	Aluminum
Silkscreen Color	Black
Operating Temperature	0°C - 40°C/32°F - 104°F
Storage Temperature	-20°C - 60°C/-4°F - 140°F
Relative Humidity	20 - 90% RH (No-condensing)
Power Consumption	8.47W

8.2 Video Specifications

8.2.1 Supported Resolutions

PC Resolution (Hz)	HDMI Input	VGA Input	HDMI Output
640×480@60/72/75/85	✓	✓	60Hz only
800×600@56/60/72/75/85	✓	✓	
1024×768@60/70/75/85	✓	✓	
1280×1024@60/75/85	✓	✓	
1360×768@60	✓	✓	✓
1280×800@60	✓	✓	✓
1280×1024@60	✓	✓	✓
1440×900@60	✓	✓	✓
1400×1050@60	✓	✓	✓
1600×1200@60	✓	✓	✓
1680×1050@60	✓	✓	✓
1920×1200@60 (RB)	✓	✓	✓

TV Resolution (Hz)	HDMI Input	YPbPr Input	HDMI Output
480i/576i	✓	✓	
480p/576p	✓	✓	✓
720p@50/60	✓	✓	✓
1080i@50/60	✓	✓	
1080p@24/25/30	✓	✓	
1080p@50/60	✓	✓	✓
3840×2160@24/25/30	✓		✓
3840×2160@50/60	✓		✓
4096×2160@24/25/30	✓		Bypass only
4096×2160@50/60	✓		

8.2.2 Scaled Resolutions

Input Resolution	Output Resolution	UHD BYPASS			
		SCALER		BYPASS	
		Bypass Path	Scaler Path	Bypass Path	Scaler Path
Non-4K Timing	Any Timing		✓		✓
4K but not 24Hz	4K@24Hz		✓	N/A	N/A
4K but not 25Hz	4K@25Hz		✓	N/A	N/A
4K but not 30Hz	4K@30Hz		✓	N/A	N/A
4K but not 50Hz	4K@50Hz	Note	✓	N/A	N/A
4K but not 60Hz	4K@60Hz	Note	✓	N/A	N/A
4K but not 50Hz	4K@50Hz (4:2:0)	Note	✓	N/A	N/A
4K but not 60Hz	4K@60Hz (4:2:0)	Note	✓	N/A	N/A
4K@24Hz	4K@24Hz	✓		✓	
4K@25Hz	4K@25Hz	✓		✓	
4K@30Hz	4K@30Hz	✓		✓	
4K@50Hz	4K@50Hz	✓		✓	
4K@60Hz	4K@60Hz	✓		✓	
4K@50Hz (4:2:0)	4K@50Hz (4:2:0)	✓		✓	
4K@60Hz (4:2:0)	4K@60Hz (4:2:0)	✓		✓	

Note: If a 4K input source and the selected 4K output resolution share the same timing (e.g. 3840×2160@60Hz input to 3840×2160@60Hz output) but use different color sub-sampling (4:4:4 to 4:2:0) the unit will convert the color and use the "Bypass path" for the output.

8.3 Audio Specifications

Formats	HDMI	Optical	Analog
LPCM 2.0	✓	✓	✓
LCPM 5.1	✓		
LPCM 7.1	✓		
Bitstream	✓		
HD Bitstream	✓		

Sampling Rates (kHz)	HDMI	Optical
32	✓	✓
44.1	✓	✓
48	✓	✓
88.2	✓	
96	✓	
176.4	✓	
192	✓	

Input		Output				
Level	Frequency Range	Level	THD+N	Frequency Response	SNR	Crosstalk
Digital Audio		Digital Audio				
0dB	1kHz	0dB~-1dB	<0.01%	±1dB	>80dB	<-80dB
Analog Audio		Digital Audio				
1Vrms	1kHz	0dB~-1.5dB	<0.1%	±3dB	>70dB	<-60dB
Digital Audio		Analog Audio				
0dB	1kHz	0.5Vrms±10%	<0.1%	±3dB	>80dB	<-60dB
Analog Audio		Analog Audio				
1Vrms	1kHz	0.5Vrms±10%	<0.1%	±3dB	>70dB	<-60dB

9. ACRONYMS

ACRONYM	COMPLETE TERM
dB	Decibel
EDID	Extended Display Identification Data
HDCP	High-bandwidth Digital Content Protection
HDMI	High-Definition Multimedia Interface
LPCM	Linear Pulse-Code Modulation
SNR	Signal-to-Noise Ratio
THD+H	Total Harmonic Distortion plus Noise
UHD	Ultra-High-Definition
VGA	Video Graphics Array
XGA	Extended Graphics Array
WUXGA	Wide Ultra Extended Graphics Array



CIE-Group Ltd, 3 Widdowson Close, Blenheim Industrial Estate, Bulwell,
Nottingham NG6 8WB

Tel: +44 (0)115 977 0075 | Fax: +44 (0)115 977 0081

Email: info@cie-group.com

www.cie-group.com

VS2