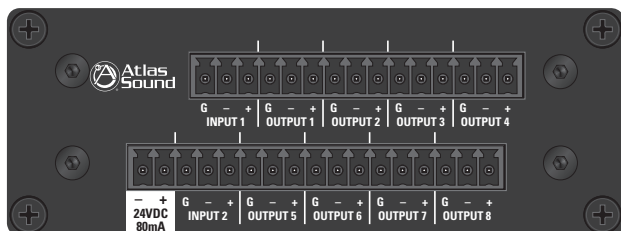
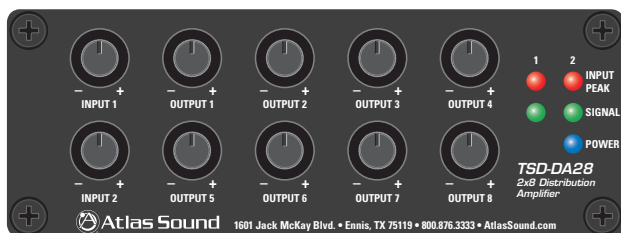




TSD-DA28

2 x 8 Distribution Amplifier



TSD-DA28

Atlas Time Saving Devices

New Atlas Sound Time Saving Devices are designed to solve some of the common audio system problems in the easiest and in the most efficient and cost-effective way. Utilizing the highest quality components and inspired by real world installation issues, the Atlas Sound TSDs include mixers, amplifiers, preamps, and other distribution and control devices to simplify your connections, provide specific application needs, and add flexibility in expansion and changes that prevent expensive system overhauls.

The Time Saving Devices are loaded with features making it versatile and user friendly. The TSD design mandate was to make the installation quick and reliable, saving you valuable time and money. Each model is housed in a compact 1.5" x 4" x 2.75" footprint that allows for placement almost anywhere. Common features include removable individual I/O connectors for quick and precise wiring, separate ground terminals for all I/Os assuring secured connections, and removable level controls that can be replaced with a tamper-resistant security cover.

Description

The Atlas Sound TSD-DA28 2x8 distribution amplifier is designed to provide clean, isolated signal distribution locally or to remote locations. The unit allows two independent balanced line level source inputs to be distributed to eight isolated variable outputs making it a perfect solution for applications including convention centers, houses of worship, restaurants/sports bars and industrial facilities.

Isolation between outputs prevents crosstalk, removes miss matched input impedance concerns and allows for adjustable levels on each connected device.

All I/O is via Phoenix style connectors for installation convenience and inputs may be easily paralleled for 1 in / 8 out configuration.

The TSD-DA28 is highly efficient and meets Energy Star™ standards as one 24V DC power supply (available separately) can power multiple Atlas Time Saving Devices.

Installation

- Churches
- Restaurants
- Sports Bars
- Schools
- Industrial Facilities
- House of Worship

Features

- Two (2) Balanced Line Inputs
- Eight (8) Isolated Balanced Line Outputs
- Signal & Peak Indicator LEDs For Each Channel
- High Gain Output for Driving Long Balanced Lines
- Security Covers Included for All Front Panel Controls
- Multiple Mounting Configurations
- Cable Management Systems
- Separate Ground Connections
- Removable Phoenix Style I/O Connectors
- Meets Energy Star™ Standards
- Compact Chassis Design

Audio Applications

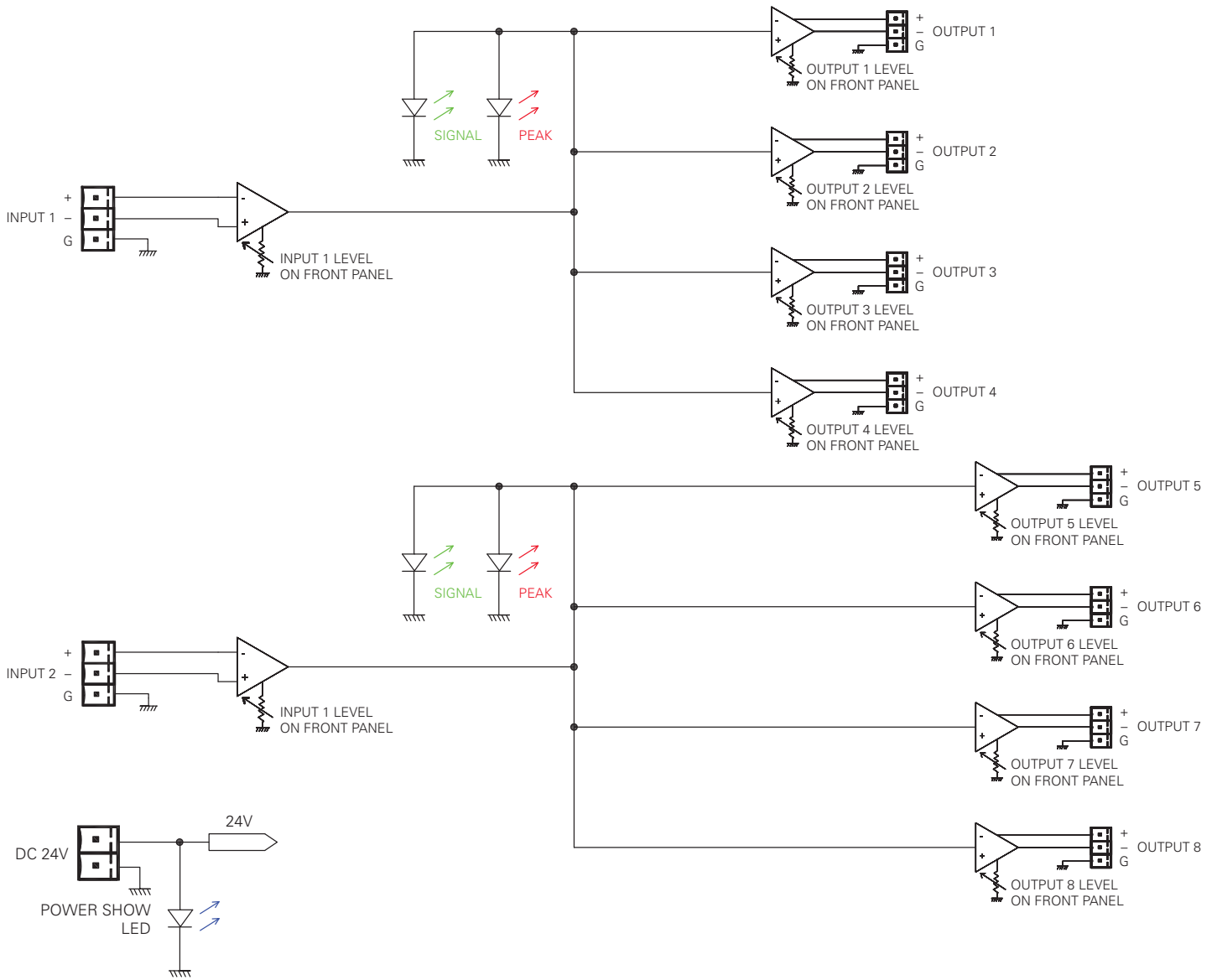
- Line Preamp
- Line Driver
- Zone Divider
- Broadcast

©2011 Atlas Sound L.P. All rights reserved. Atlas Sound is a trademark of Atlas Sound L.P. All other trademarks are the property of their respective owners.

Specifications

Description	2 x 8 Line Distribution Amplifier
Chassis Color	Black
Chassis Material	Aluminum
Inputs	
Type	Qty 2, Balanced Line Selectable
Connection	Removable 3 Position Captive Screw 3.5mm Spacing
Impedance	10K Ω Balanced, 5K Ω Unbalanced
Line Input Level	1V (0dBV) Balanced = 2V (+6dBV) Balanced Output, Maximum Input 6V (15dBV)
Outputs	
Type	Qty 8, Balanced Mic or Line Selectable
Connection	Removable 3 Position Captive Screw 3.5mm Spacing
Impedance	300 Ω Balanced, 150 Ω Unbalanced
Line Output Level	1V (0dBV) In = 2V (+6dBV) Balanced, Maximum Output 6V (15dBV) Balanced
Controls	
Input Level Control	Qty 2, Removable Knobs with Security Covers
Output Level Control	Qty 8, Removable Knobs with Security Covers
Indicators	
Input Signal	Green, 25mV On Threshold
Input Peak	Red, -3dB Before Clip
Power	Blue
Electrical	
Frequency Response	20Hz - 20kHz (\pm 1dB)
THD	.06% & 1kHz
Signal to Noise	90dB
Mounting	
Velcro	Industrial-Grade, Included
Brackets	Qty 2, Included
TSD-RMK	Optional 1 RU Rack Mount Panel (Supports 4 TSD Units)
Cable Retainer	Qty 2, Included
Power Requirements	
Voltage	24VDC
Power Consumption	80mA
Power Consumption	1.92W
Dimensions	
	H 1.5" (39mm) x W 4" (101mm) x D 2.75"(70mm)
Weight	
	6oz, .165kg
Accessories	
TSD 24VDC Power Supplies	
TSD-RMK 1 RU Rack Panel	
Safety and Certifications	
External Power Supply	cUL, CE, RoHS, TUV

Block Diagram



©2011 Atlas Sound L.P. All rights reserved. Atlas Sound is a trademark of Atlas Sound L.P. All other trademarks are the property of their respective owners.