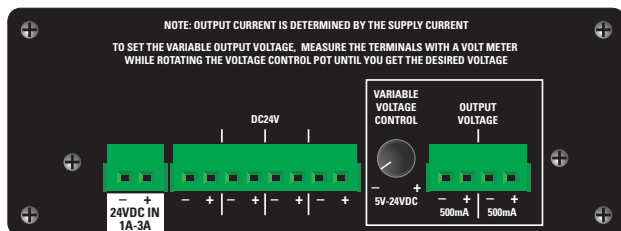
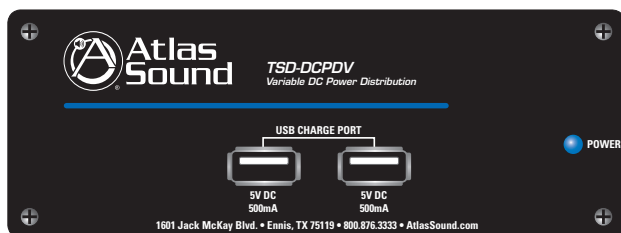




TSD-DCPDV

Variable DC Power Distribution



TSD-DCPDV

Features

- Power Distribution for Multiple TSDs From a Single PSU
- 1 in 8 Out Configuration
- Four (4) Fixed 24VDC Outputs
- Two (2) Variable 5V - 24VDC Outputs
- Two (2) USB 5VDC Charge Ports
- Current Operating Range 1A to 3A
- DC Filtering Per Channel
- DC Isolation Per Channel
- Cable Management System
- Multiple Mounting Configurations
- Separate Ground Connections
- Removable Phoenix Style I/O Connectors
- Meets Energy Star™ Standards
- Compact Chassis Design

Audio Applications

- Wireless Microphone Power Supplies
- TSD Power Distribution
- Reduce AC Outlets from Power Strips
- Use Less Power

Atlas Time Saving Devices

New Atlas Sound Time Saving Devices are designed to solve some of the common audio system problems in the easiest and in the most efficient and cost-effective way. Utilizing the highest quality components and inspired by real world installation issues, the Atlas Sound TSDs include mixers, amplifiers, preamps, and other distribution and control devices to simplify your connections, provide specific application needs, and add flexibility in expansion and changes that prevent expensive system overhauls.

The Time Saving Devices are loaded with features making it versatile and user friendly. The TSD design mandate was to make the installation quick and reliable, saving you valuable time and money. Each model is housed in a compact 1.5" x 4" x 2.75" footprint that allows for placement almost anywhere. Common features include removable individual I/O connectors for quick and precise wiring, separate ground terminals for all I/Os assuring secured connections, and removable level controls that can be replaced with a tamper-proof security cover.

Description

The Atlas Sound TSD-DCPDV is designed to distribute power to TSD devices or other equipment requiring DC power without the need for separate power supplies. The TSD-DCPDV will help remove rack clutter and free up power strip space. It is also ideal for use with wireless microphones that typically require 12-18VDC PSUs.

Rear panel includes one 9-24V input for a user selectable power supply up to 2500mA, four fixed 24V outputs and two 5-24V variable outputs. Voltage for variable outputs is adjusted from a secure trim pot. In addition, two front panel USB ports are available for charging other devices or for USB style rack lighting. The TSD-DCPDV is highly efficient and meets Energy Star standards as it supplies power to multiple Atlas Time Saving Devices via a single PSU (available separately).

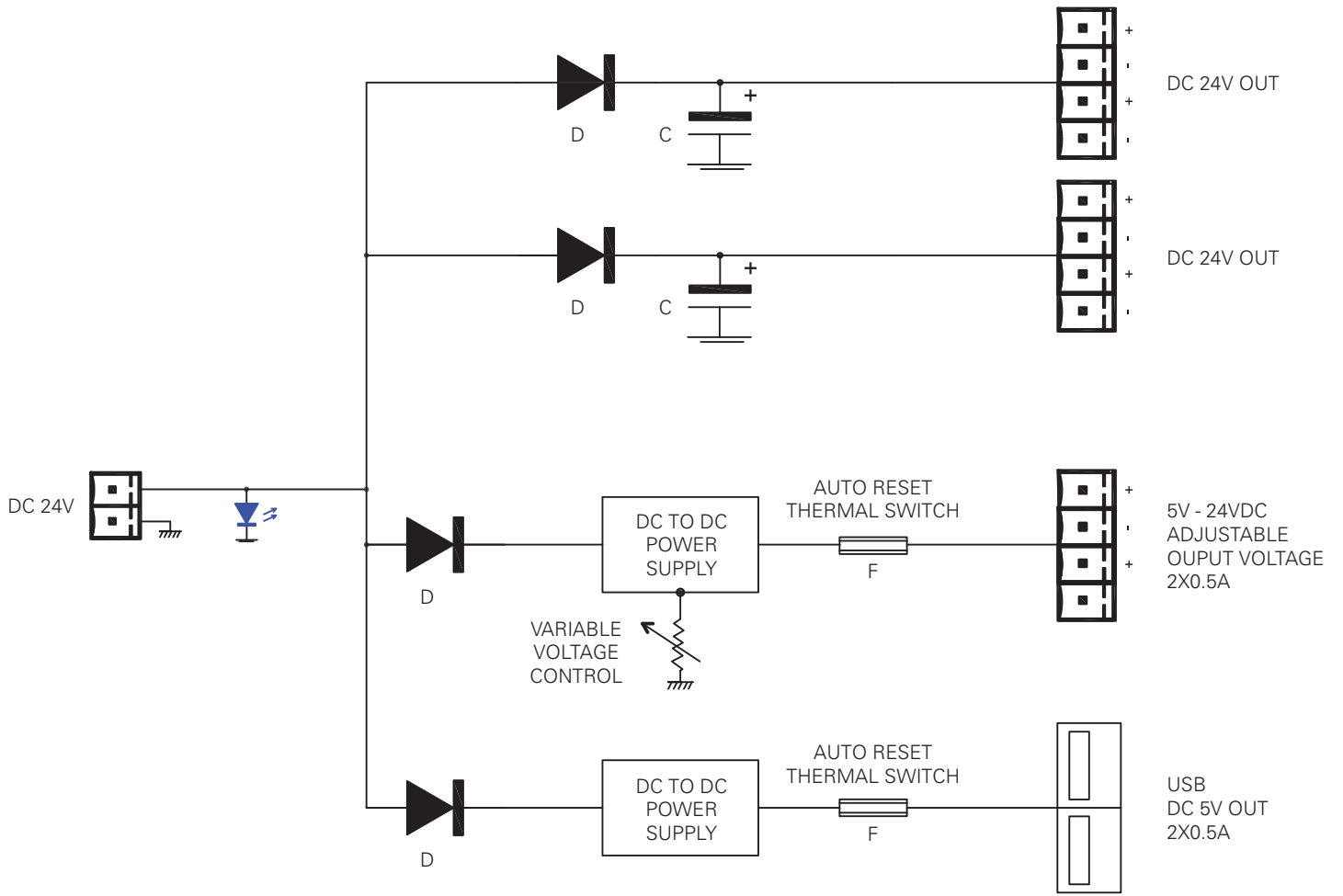
Installation

- Government Buildings
- Medical Facilities
- Office Environments
- Churches
- Restaurants
- Schools
- Industrial Facilities
- House of Worship

Specifications

Description	DC Power Distribution with Fixed & Variable Outputs
Chassis Color	Black
Chassis Material	Aluminum
Inputs	
DC Voltage Input Connection	1A - 3A, 24V DC, 3A Max Removable 2 Position Captive Screw 3.5mm Spacing
Outputs	
DC Voltage Output Fixed Connection	24V DC, Current Output Related to Input Power Supply and Load Qty 4, Removable 2 Position Captive Screw 3.5mm Spacing
DC Voltage Output Fixed Connection	5V DC, 500mA Each Power Supply and Load Qty 2, USB Charge Port, Front Panel
DC Voltage Variable	Qty 2, Ports 1 Adjustable Voltage, Variable DC Output 5V - 24VDC, 500mA Each
Controls	
Variable DC Adjust Recess Pot	
Indicators	
Power	Blue
Electrical	
Isolation	Active
Filters	DC Storage & AC Ripple
Over Current	Auto Reset Thermal Switch for Variable Output
Mounting	
Velcro	Industrial Grade, Included
Brackets	Qty 2, Included
TSD-RMK	Optional 1 RU Rack Mount Panel (Supports 4 TSD Units)
Cable Retainer	Qty 2, Included
Power Requirements	
Idle	10mA
Dimensions	H 1.5" (39mm) x W 4" (101mm) x D 2.75" (70mm)
Weight	6oz, .165kg

Block Diagram



Atlas Sound and Strategy Series are trademarks of Atlas Sound L.P. All other trademarks are the property of their respective owners. AT5003823 RevA 4/10

©2010 Atlas Sound L.P. All rights reserved.