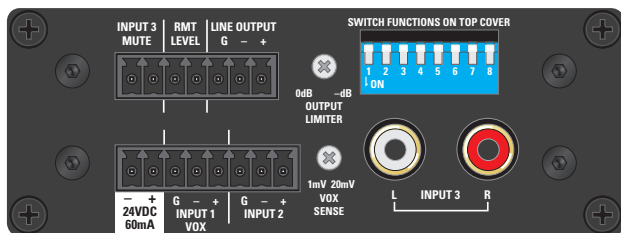
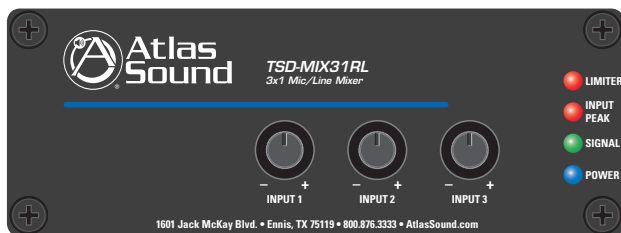




# TSD-MIX31RL

## 3 x 1 Mic/Line Mixer with Priority Mute & Remote Level



TSD-MIX31RL

### Atlas Time Saving Devices

New Atlas Sound Time Saving Devices are designed to solve some of the common audio system problems in the easiest and in the most efficient and cost-effective way. Utilizing the highest quality components and inspired by real world installation issues, the Atlas Sound TSDs include mixers, amplifiers, preamps, and other distribution and control devices to simplify your connections, provide specific application needs, and add flexibility in expansion and changes that prevent expensive system overhauls.

The Time Saving Devices are loaded with features making it versatile and user friendly. The TSD design mandate was to make the installation quick and reliable, saving you valuable time and money. Each model is housed in a compact 1.5" x 4" x 2.75" footprint that allows for placement almost anywhere. Common features include removable individual I/O connectors for quick and precise wiring, separate ground terminals for all I/Os assuring secured connections, and removable level controls that can be replaced with a tamper-resistant security cover.

### Description

The versatile Atlas Sound TSD-MIX31RL 3x1 mic/line mixer is ideal for applications where paging, public address, and BGM music are required. Use alone or in conjunction with amplifiers in meeting rooms, stadiums, gymnasiums, and other applications requiring versatile, multi source mix control.

The unit includes two mic/balanced line inputs via removable Phoenix style connectors and a stereo summing dual RCA input. Switchable phantom power is provided for both mic inputs to facilitate condenser microphones. The high quality, low noise internal mic preamps ensure clarity and quiet operation without unwanted coloration. A 12dB/octave high pass filter @ 125Hz also is available on each input to minimize bass rumble and low frequency feedback.

Priority paging can be accomplished via contact closure or VOX trigger on Input 1 (mutes input 3 only). Remote level control feature allows use of the Atlas Sound AAVC-10K (or equivalent) decorative wall plate control for convenient remote adjustment of either the entire mix bus or input 3 only (typical BGM input). A variable output limiter provides system protection by reducing clipping and distortion - which is especially useful when mixing multiple mics and/or line sources with varying volumes.

The TSD-MIX31RL is highly efficient and meets Energy Star™ standards as one 24V DC power supply (available separately) can power multiple Atlas Time Saving Devices.

### Installation

- Churches
- Restaurants
- Sports Bars
- Schools
- Industrial Facilities
- House of Worship

### Features

- Two (2) Balanced Mic/Line Inputs
- High Gain (50dB) Microphone Preamps
- Switchable 24V Phantom Power
- One (1) Unbalanced Summing Dual RCA Line Input
- Vox Sense and Contact Closure Priority Mute of Ch3
- Variable Output Limiter
- Remote Level Control
- 12dB/Octave Low Cut Filter @ 125Hz
- Input Signal & Peak Indicator LEDs
- High Gain Output for Driving Long Balanced Lines
- Separate Ground Connections
- Removable Phoenix Style I/O Connectors
- Security Covers Included for All Front Panel Controls
- Cable Management System
- Multiple Mounting Configurations
- Meets Energy Star™ Standards
- Compact Chassis Design

### Audio Applications

- Mixer
- Mic Preamp
- Line Preamp
- Stereo Summing Preamp
- Line Drive
- Remote Level Control
- Priority Paging

©2011 Atlas Sound L.P. All rights reserved. Atlas Sound is a trademark of Atlas Sound L.P. All other trademarks are the property of their respective owners.

## Specifications

<b>Description</b>	3 x 1 Mic/Line Mixer
<b>Chassis Color</b>	Black
<b>Chassis Material</b>	Aluminum
<b>Inputs</b>	
Type	Qty 1, Unbalanced
Connection	RCA Left and Right Actively Summed
Impedance	10K $\Omega$
Input Level	316mV (-10dBV) = 2V (+6dBV) Balanced Output, Maximum Input 1.6V (4.1dBV)
Type	Qty 2, Balanced Mic or Line Selectable
Connection	Removable 3 Position Captive Screw 3.5mm Spacing
Impedance	1.2K $\Omega$ Balanced, 600 $\Omega$ Unbalanced
Phantom	24VDC Defeatable
Low Cut Filter	125Hz/12dB Defeatable
Line Input Level	1V (0dBV) Balanced 2V (+6dBV) Balanced Output, Maximum Input 6V (6dBV)
Mic Input Level	46dB Gain 10mV (-40dBV) Balanced = 2V (+6dBV) Balanced Output, Maximum Input 40mV (-27dBV)
<b>Outputs</b>	
Type	Qty 1, Balanced Line
Connection	Removable 3 Position Captive Screw 3.5mm Spacing
Impedance	300 $\Omega$ Balanced, 150 $\Omega$ Unbalanced
Line Output Level	1V (0dBV) In = 2V (+6dBV), Maximum Output 6V (15dBV)
<b>Controls</b>	
Input Level Control	Qty 3, Removable Knobs with Security Covers
Mute Input 3	Contact Closure, Removable 2 Position Captive Screw 3.5mm Spacing
VOX Mute Sens	Trim Adjust for Mic Sensitivity
Output Limiter	Threshold Adjust
Remote Level	Control Port 10K External Pot, Removable 2 Position Captive Screw 3.5mm Spacing
Dip Switch Function	<ul style="list-style-type: none"><li>• Phantom Power 24VDC, Input 1 &amp; 2</li><li>• Input 1 &amp; 2 Mic/Line Select</li><li>• Input 1 &amp; 2 125Hz/12dB High Pass Filter</li><li>• Input 3, Mute Receive</li><li>• Remote Level Assign, Mix or Input 3</li></ul>
<b>Indicators</b>	
Input Signal	Green, 25mV On Threshold
Input Peak	Red, -3dB Before Clip
Limiter	Red, Limiter Activation
Power	Blue
<b>Electrical</b>	
Frequency Response	20Hz - 20kHz ( $\pm$ 1dB)
THD	.06% & 1kHz
Signal to Noise	Line to Line: 85dBV Mic to Line: 78dBV
Output Limiter	Threshold Adjust 50mV Minimum Output to No Limit
<b>Mounting</b>	
Velcro	Industrial-Grade, Included
Brackets	Qty 2, Included
TSD-RMK	Optional 1 RU Rack Mount Panel (Supports 4 TSD Units)
Cable Retainer	Qty 2, Included

## Power Requirements

Voltage 24VDC  
 Power Consumption 60mA  
 Power Consumption 1.4W

**Dimensions** H 1.5" (39mm) x W 4" (101mm) x D 2.75" (70mm)

**Weight** 6oz, .165kg

## Accessories

TSD 24VDC Power Supplies  
 TSD-RMK 1 RU Rack Panel

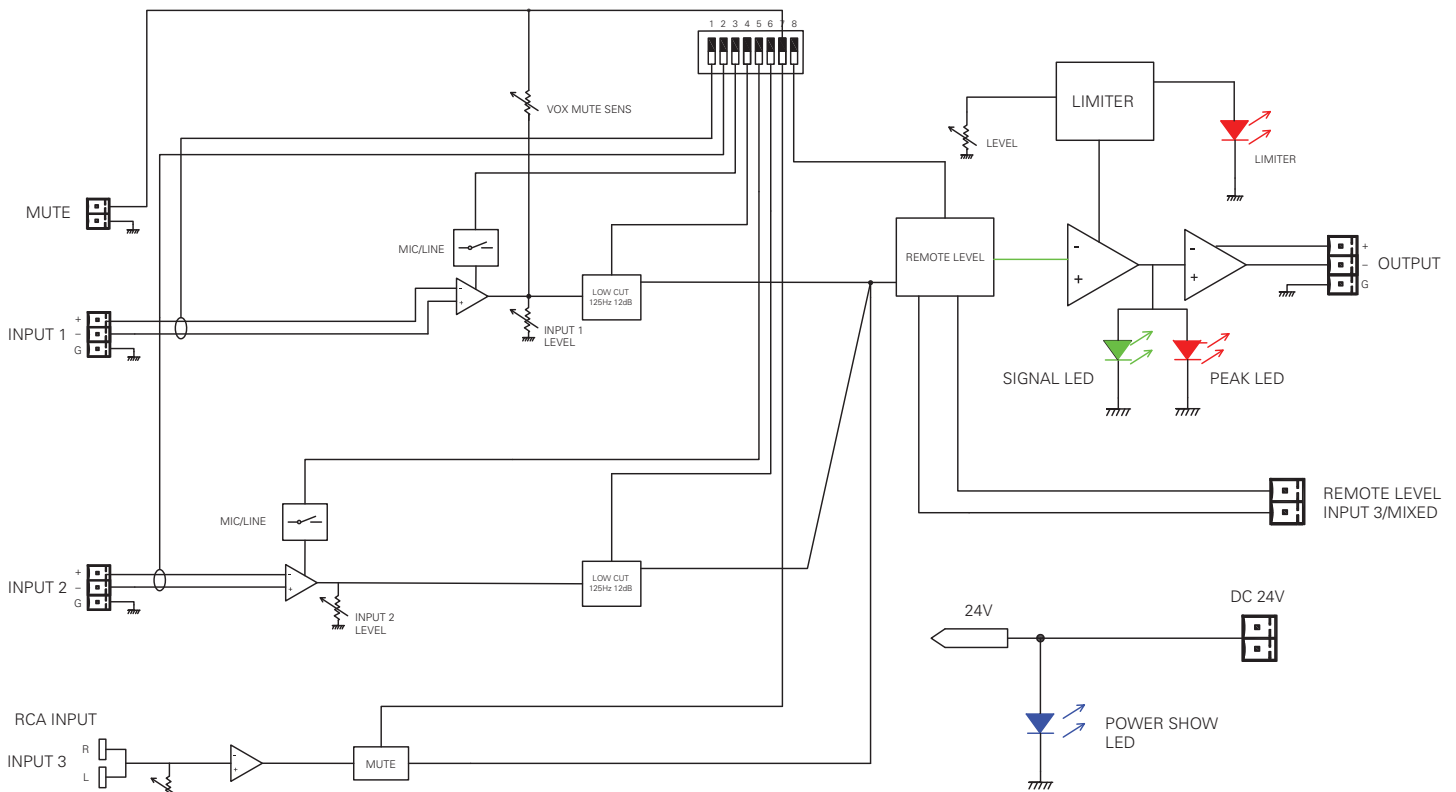
## Safety and Certifications

External Power Supply cUL, CE, RoHS, TUV

## Block Diagram

DIP SWITCH FUNCTION SET

1	2	3	4	5	6	7	8
INPUT 1 PHANTOM	INPUT 2	INPUT 1	INPUT 1 MIC LOW CUT	INPUT 2	INPUT 2 MIC LOW CUT	INPUT 3 MUTE RCV	REMOTE LEVEL
OFF	OFF	LINE	OFF	LINE	OFF	OFF	INPUT 3
ON	ON	MIC	ON	MIC	ON	ON	MIXED



©2011 Atlas Sound L.P. All rights reserved. Atlas Sound is a trademark of Atlas Sound L.P. All other trademarks are the property of their respective owners.