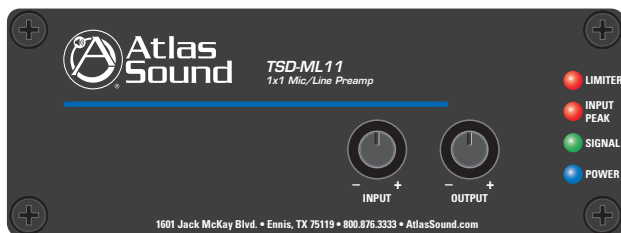




# TSD-ML11

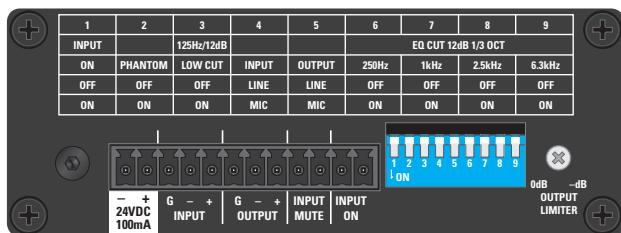
## 1 x 1 Mic/Line Preamp with EQ & Mute



### Atlas Time Saving Devices

New Atlas Sound Time Saving Devices are designed to solve some of the common audio system problems in the easiest and in the most efficient and cost-effective way. Utilizing the highest quality components and inspired by real world installation issues, the Atlas Sound TSDs include mixers, amplifiers, preamps, and other distribution and control devices to simplify your connections, provide specific application needs, and add flexibility in expansion and changes that prevent expensive system overhauls.

The Time Saving Devices are loaded with features making it versatile and user friendly. The TSD design mandate was to make the installation quick and reliable, saving you valuable time and money. Each model is housed in a compact 1.5" x 4" x 2.75" footprint that allows for placement almost anywhere. Common features include removable individual I/O connectors for quick and precise wiring, separate ground terminals for all I/Os assuring secured connections, and removable level controls that can be replaced with a tamper-resistant security cover.



TSD-ML11

### Description

The TSD-ML11 is a high headroom, low noise mic preamp that allows your 'money channel' to have the highest performance possible. Use as a standalone preamp or in conference room systems, board meetings, courtrooms, council chambers, and public forums system that need mute and push to talk microphone functions.

The TSD-ML11 features switchable phantom power for powering condenser microphones and has four EQ cut filters centered at common frequencies to eliminate feedback and control voice shaping. The variable mic preamp helps further eliminate noise for quiet operation as well as reduces unwanted coloration and changes in tonality and a 12dB @ 125Hz high pass filter is available on each mic input to minimize bass rumble and low frequency feedback in the system and ensure focus and clarity stays on voice sound spectrum. An output limiter/compressor is also included for system protection to avoid clipping and eliminate distortion. Mic Mute and Mic On control allows microphones in the system to be push-to-talk enabled or muted for speaker priority.

The TSD-ML11 is highly efficient and meets Energy Star™ standards as one 24V DC power supply (available separately) can power multiple Atlas Time Saving Devices.

### Installation

- Churches
- Restaurants
- Sports Bars
- Schools
- Industrial Facilities
- House of Worship

### Features

- High Quality Microphone Preamp
- Mic/Line I/O via Removable Phoenix Style Connector
- 125Hz/12dB Low Cut Filter
- Phantom Power
- Four (4) Preset Frequency Notch Filters For Tone and Feedback Control
- Variable Output Limiter/Compressor
- Mic Mute/Mic On Via Contact Closure
- Input Signal & Peak Indicator LEDs
- High Gain Output for Long Distance Applications
- Separate Ground Connections
- Cable Management Systems
- Multiple Mounting Configurations
- Removable Phoenix Style I/O Connectors
- Security Covers Included for Front Panel Level Controls
- Meets Energy Star™ Standards
- Compact Chassis Design

### Audio Applications

- Mic Preamp
- Line Preamp
- Line Drive
- Choirs
- Remote Mic Control

©2011 Atlas Sound L.P. All rights reserved. Atlas Sound is a trademark of Atlas Sound L.P. All other trademarks are the property of their respective owners.

## Specifications

<b>Description</b>	1 x 1 Mic/Line Preamp
<b>Chassis Color</b>	Black
<b>Chassis Material</b>	Aluminum
<b>Inputs</b>	
Type	Qty 1, Balanced Mic or Line Selectable
Connection	Removable 3 Position Captive Screw 3.5mm Spacing
Impedance	1.2K $\Omega$ Balanced, 600 $\Omega$ Unbalanced
Phantom	24VDC Defeatable
Low Cut Filter	125Hz/12dB Defeatable
Line Input Level	1V (0dBV) Balanced 2V (+6dBV) Balanced Output, Maximum Input 8V (+15dBV)
Mic Input Level	46dB Gain 10mV (-40dB) Balanced = 2V (+6dBV) Balanced Output, Maximum Input 40mV (-27dBV)
<b>Outputs</b>	
Type	Qty 1, Balanced Mic or Line Selectable
Connection	Removable 3 Position Captive Screw 3.5mm Spacing
Impedance	300 $\Omega$ Balanced, 150 $\Omega$ Unbalanced
Line Output Level	1V (0dBV) In = 2V (+6dBV), Maximum Output 6V (15dBV)
Mic Output Level	10mV (-40dBV) In = 80mV (-21dBV), Maximum Output 300mV (-10dBV)
<b>Controls</b>	
Input Level Control	Qty 1, Removable Knob with Security Cover
Output Level Control	Qty 1, Removable Knob with Security Cover
Output Limiter	Threshold Adjust From +18dB - No Output. Hard Knee Limit
Mic Mute	Contact Closure, Removable 2 Position Captive Screw 3.5mm Spacing
Mic On	Contact Closure, Removable 2 Position Captive Screw 3.5mm Spacing
Dip Switch Function	<ul style="list-style-type: none"><li>• Input 1 On/Off</li><li>• Phantom Power 24VDC</li><li>• Input Mic/Line Select</li><li>• Input 125Hz/12dB High Pass Filter</li><li>• Output Qty 1, Mic/Line Select</li><li>• EQ, 12dB Cut Filters 250Hz, 1KHz, 2.5KHz, 6.3KHz</li></ul>
<b>Indicators</b>	
Input Signal	Green, 25mV On Threshold
Input Peak	Red, -3dB Before Clip
Limiter	Red, Output Limiter Activation
Power	Blue
<b>Electrical</b>	
Frequency Response	20Hz - 20kHz ( $\pm$ 1dB)
THD	.06% & 1kHz
Output Limiter	Threshold Adjust 50mV to No Limiter
Signal to Noise	Line to Line: 85dBV Mic to Line: 70dBV Line to Mic: 55dBV Mic to Mic: 55dBV
<b>Mounting</b>	
Velcro	Industrial-Grade, Included
Brackets	Qty 2, Included
TSD-RMK	Optional 1 RU Rack Mount Panel (Supports 4 TSD Units)
Cable Retainer	Qty 2, Included
<b>Power Requirements</b>	
Voltage	24VDC
Power Consumption	100mA
Power Consumption	2.4W

**Dimensions** H 1.5" (39mm) x W 4" (101mm) x D 2.75" (70mm)

**Weight** 6oz, .165kg

**Accessories**

TSD 24VDC Power Supplies

TSD-RMK 1 RU Rack Panel

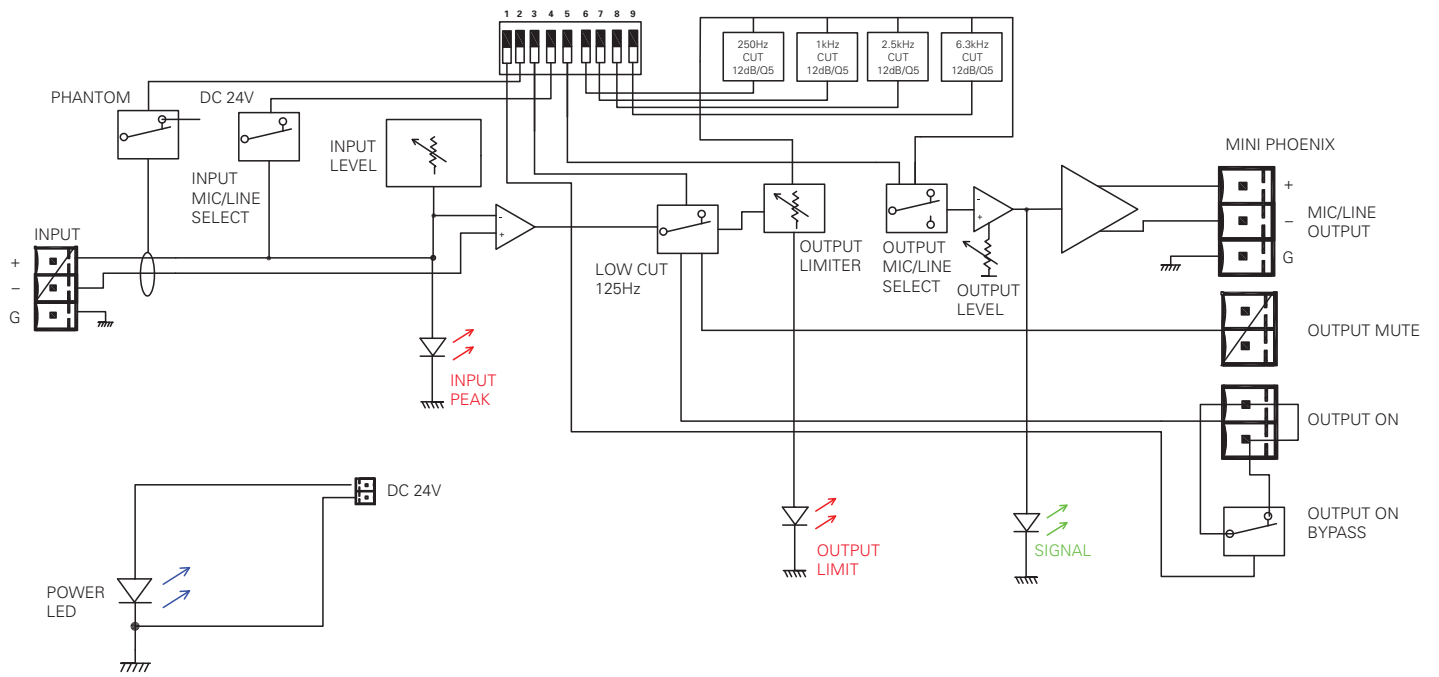
**Safety and Certifications**

External Power Supply cUL, CE, RoHS, TUV

**Block Diagram**

DIP SWITCH FUNCTION SET

1	2	3	4	5	6	7	8	9
INPUT		125Hz/12dB			EQ CUT 12dB 1/3 OCT			
ON	PHANTOM	LOW CUT	INPUT	OUTPUT	250Hz	1kHz	2.5kHz	6.3kHz
OFF	OFF	OFF	LINE	LINE	OFF	OFF	OFF	OFF
ON	ON	ON	MIC	MIC	ON	ON	ON	ON



©2011 Atlas Sound L.P. All rights reserved. Atlas Sound is a trademark of Atlas Sound L.P. All other trademarks are the property of their respective owners.