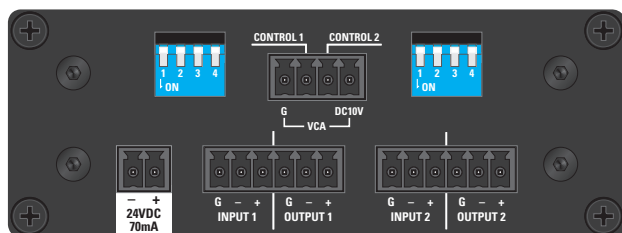
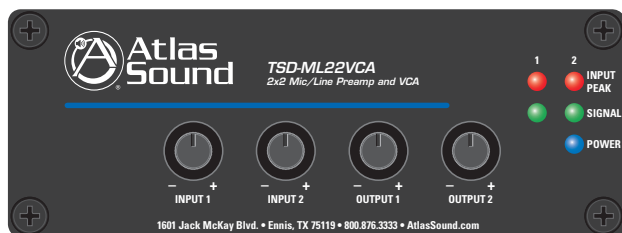




TSD-ML22VCA

2 x 2 Mic/Line Preamp and VCA



TSD-ML22VCA

Atlas Time Saving Devices

New Atlas Sound Time Saving Devices are designed to solve some of the common audio system problems in the easiest and in the most efficient and cost-effective way. Utilizing the highest quality components and inspired by real world installation issues, the Atlas Sound TSDs include mixers, amplifiers, preamps, and other distribution and control devices to simplify your connections, provide specific application needs, and add flexibility in expansion and changes that prevent expensive system overhauls.

The Time Saving Devices are loaded with features making it versatile and user friendly. The TSD design mandate was to make the installation quick and reliable, saving you valuable time and money. Each model is housed in a compact 1.5" x 4" x 2.75" footprint that allows for placement almost anywhere. Common features include removable individual I/O connectors for quick and precise wiring, separate ground terminals for all I/Os assuring secured connections, and removable level controls that can be replaced with a tamper-resistant security cover.

Description

The Atlas Sound TSD-ML22VCA is a 2 input, 2 output true VCA with enhanced features including a high quality microphone pre amplifier. VCA's inserted prior to amplification provides a far more efficient solution than transformer-based attenuators for volume adjustment in high power music applications. The dual channel design can provide level control for two separate discrete zones or stereo sources and is perfect for use in sports bars, restaurants, hotels or other installations.

The TSD-ML22VCA also provides two high quality, low noise mic pre-amps, which allows simplification of designs that require remote microphone level adjustment. Switchable phantom power is provided for powering condenser microphones and a 12dB/octave @ 125Hz high pass filter is available on each mic input to minimize bass rumble and low frequency feedback in the system ensuring focus and clarity for the voice spectrum.

The TSD-ML22VCA is highly efficient and meets Energy Star™ standards as one 24V DC power supply can power multiple Atlas Time Saving Devices (available separately).

Installation

- Churches
- Restaurants
- Sports Bars
- Schools
- Industrial Facilities
- House of Worship

Features

- Two (2) Selectable Balanced Mic or Line Inputs
- High Gain Mic Input 50dB
- 12dB/Octave @ 125Hz Low Cut Filter Per Input
- Phantom Power Per Input
- Two (2) Balanced Mic/Line Outputs
- Separate Channel VCAs for Remote Level Control via Wall Plate or Programmable External DC
- Input Peak Indicator LED Per Channel
- Input Signal Indicator LED Per Channel
- High Gain Output for Long Distance Applications
- Cable Management System
- Multiple Mounting Configurations
- Separate Ground Connections
- Removable Phoenix Style I/O Connectors
- Security Covers Included for All Front Panel Controls
- Meets Energy Star™ Standards
- Compact Chassis Design

Audio Applications

- Mic Preamp
- Line Preamp
- Line Drive
- Choirs
- Remote System Controller

©2011 Atlas Sound L.P. All rights reserved. Atlas Sound is a trademark of Atlas Sound L.P. All other trademarks are the property of their respective owners.

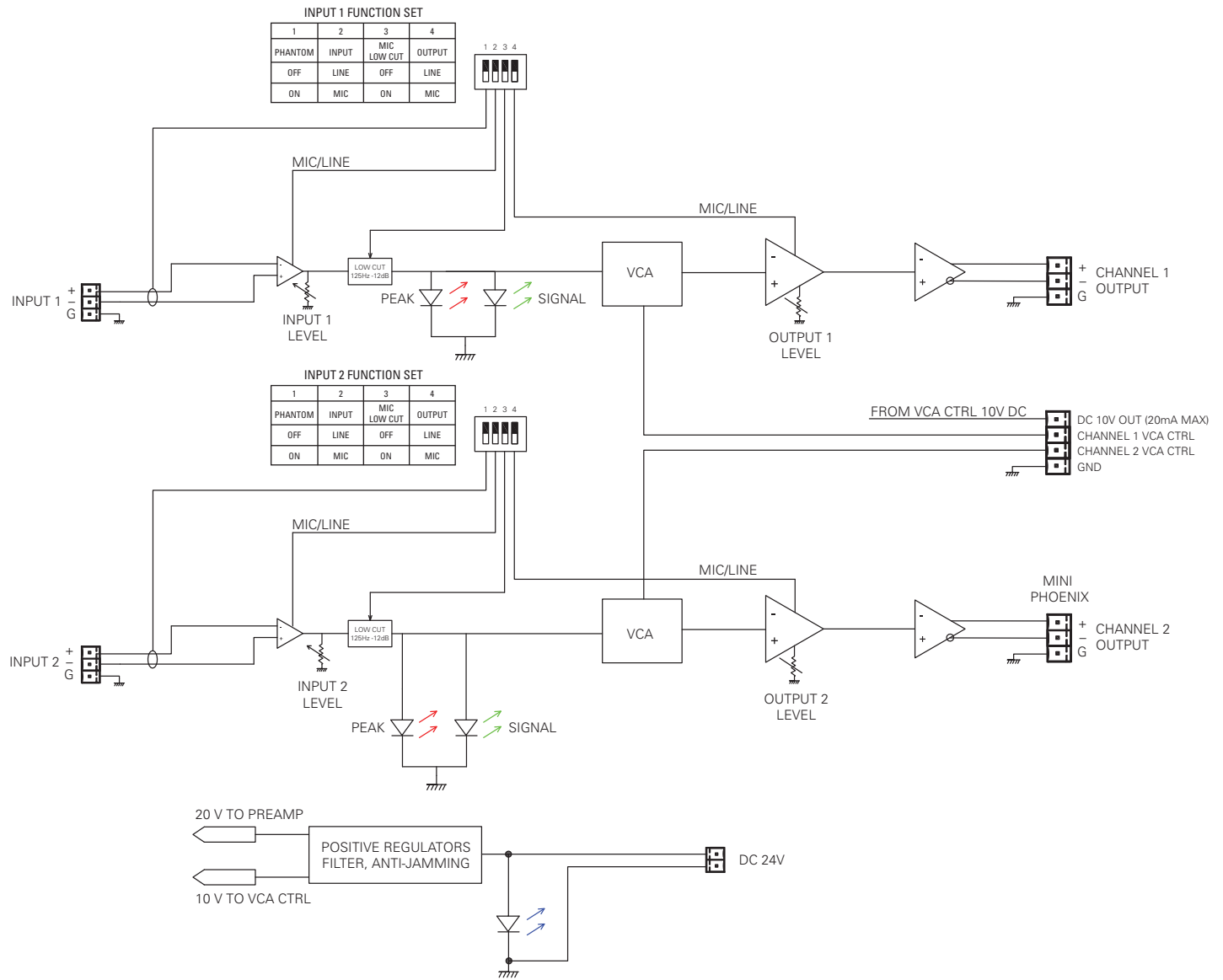
Specifications

Description	2 x 2 Mic/Line Preamp with VCA Control
Chassis Color	Black
Chassis Material	Aluminum
Inputs	
Type	Qty 2, Balanced Mic or Line Selectable
Connection	Removable 3 Position Captive Screw 3.5mm Spacing
Impedance	1.2K Ω Balanced, 600 Ω Unbalanced
Phantom	24VDC Defeatable
Low Cut Filter	125Hz/12dB Defeatable
Line Input Level	1V (0dBV) Balanced = 2V (+6dBV) Balanced Output, Maximum Input 6V (+15dBV)
Mic Input Level	46dB Gain 10mV (-40dB) Balanced = 2V (+6dBV) Balanced Output, Maximum Input 40mV (-27dBV)
Outputs	
Type	Qty 2, Balanced Mic or Line Selectable
Connection	Removable 3 Position Captive Screw 3.5mm Spacing
Impedance	300 Ω Balanced, 150 Ω Unbalanced
Line Output Level	1V (0dBV) In = 2V (+6dBV), Maximum Output 6V (15dBV)
Mic Output Level	10mV (-40dBV) In = 80mV (-21dBV), Maximum Output 300mV (-10dBV)
Controls	
Input Level Control	Qty 2, Removable Knobs with Security Covers
Output Level Control	Qty 2, Removable Knobs with Security Covers
VCA Control Port	Channel 1 & 2, +10VDC Return Design, Removable 4 Position Captive Screw 3.5mm Spacing
Dip Switch Function	<ul style="list-style-type: none">• Qty 2, Phantom Power 24VDC• Qty 2, Input Mic/Line Select• Qty 2, Input 125Hz/12dB High Pass Filter• Qty 2, Output Mic/Line Select
Indicators	
Input Signal	Green, 25mV On Threshold, Qty 2
Output Peak	Red, -3dB Before Clip, Qty 2
Power	Blue
Electrical	
Frequency Response	20Hz - 20kHz (\pm 1dB)
THD	.06% & 1kHz
Signal to Noise	Line to Line: 85dBV Mic to Line: 70dBV Line to Mic: 55dBV Mic to Mic: 55dBV
Mounting	
Velcro	Industrial-Grade, Included
Brackets	Qty 2, Included
TSD-RMK	Optional 1 RU Rack Mount Panel (Supports 4 TSD Units)
Cable Retainer	Qty 2, Included
Power Requirements	
Voltage	24VDC
Power Consumption	70mA
Power Consumption	1.68W
Dimensions	H 1.5" (39mm) x W 4" (101mm) x D 2.75" (70mm)
Weight	6oz, .165kg
Accessories	
TSD 24VDC Power Supplies	
TSD-RMK 1 RU Rack Panel	

Safety and Certifications

External Power Supply cUL, CE, RoHS, TUV

Block Diagram



©2011 Atlas Sound L.P. All rights reserved. Atlas Sound is a trademark of Atlas Sound L.P. All other trademarks are the property of their respective owners.