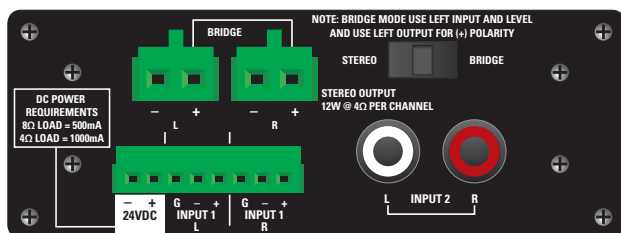
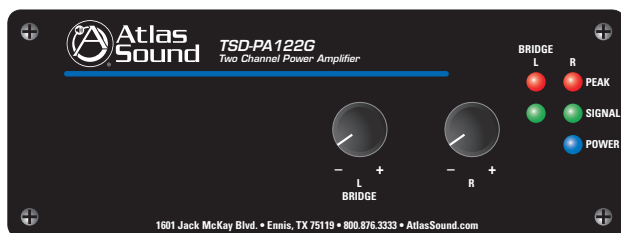




# TSD-PA122G

## Two Channel Power Amplifier



**TSD-PA122G**

### Features

- 2 Channel Into 4Ω
- 24W Bridged Into 8Ω
- Two (2) Balanced Inputs
- Dual RCA Inputs
- Removable Level Controls with Set-It-And-Forget-It Security Covers
- Input Peak Indicator LEDs Per Channel
- Input Signal Indicator LEDs Per Channel
- Cable Management System
- Multiple Mounting Configurations
- Separate Ground Connections
- Removable Phoenix Style I/O Connectors
- Meets Energy Star™ Standards
- Compact Chassis Design

### Audio Applications

- Projector Amplifier
- Zone Amplifier
- Rear Channel Amplifier

### Atlas Time Saving Devices

New Atlas Sound Time Saving Devices are designed to solve some of the common audio system problems in the easiest and in the most efficient and cost-effective way. Utilizing the highest quality components and inspired by real world installation issues, the Atlas Sound TSDs include mixers, amplifiers, preamps, and other distribution and control devices to simplify your connections, provide specific application needs, and add flexibility in expansion and changes that prevent expensive system overhauls.

The Time Saving Devices are loaded with features making it versatile and user friendly. The TSD design mandate was to make the installation quick and reliable, saving you valuable time and money. Each model is housed in a compact 1.5" x 4" x 2.75" footprint that allows for placement almost anywhere. Common features include removable individual I/O connectors for quick and precise wiring, separate ground terminals for all I/Os assuring secured connections, and removable level controls that can be replaced with a tamper-proof security cover.

### Description

The Atlas Sound TSD-PA122G is a reliable, cost effective 4Ω stereo amplifier perfectly suited for most any general amplification requirement. The unit is especially suited for adding sound reinforcement to small projector systems as it provides ample power to drive up to four 8Ω loudspeakers in a classroom or boardroom application.

Output is 12W per channel at 4Ω or 24W bridge mono at 8Ω. Input is via balanced stereo phoenix style and unbalanced RCA connectors. Front panel gain controls provide adjustment for both left/right or bridged outputs and include removable knobs that can be easily replaced with the included tamper resistant security covers.

The TSD-PA122G is highly efficient and meets Energy Star™ standards as one 24V DC power supply can power multiple Atlas Time Saving Devices (available separately).

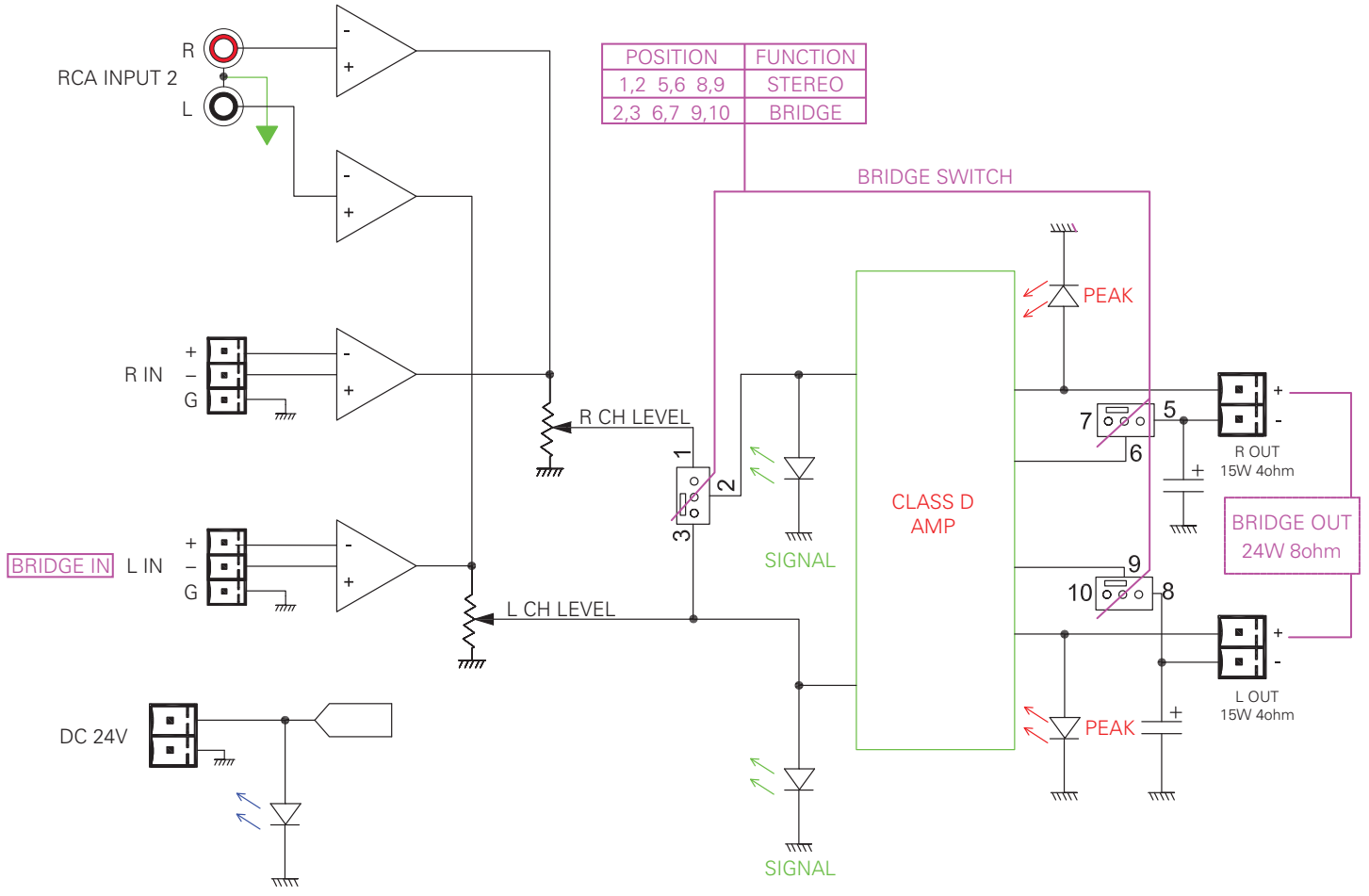
### Installation

- Courtrooms
- Public Forums
- Churches
- Restaurants
- Schools
- Industrial Facilities
- House of Worship

## Specifications

<b>Description</b>	2 x 12W Global Audio Amplifier	
<b>Chassis Color</b>	Black	
<b>Chassis Material</b>	Aluminum	
<b>Power Output</b>	12W @ 4Ω x 2 CH, 6W @ 8Ω x 2 CH, 24W 8Ω Bridge	
<b>Inputs</b>		
Type	Qty 1, Unbalanced	
Connection	RCA Left & Right	
Impedance	10KΩ	
Input Level	316mV (-10dBV)	
Type	Qty2, Balanced Line	
Connection	Removable 3 Position Captive Screw 3.5mm Spacing	
Impedance	10KΩ Balanced, 5KΩ Unbalanced	
Line Input Level	500mV (-6dBV) Balanced	
<b>Outputs</b>		
Type	Qty 2, Speaker Output	
Connection	Removable 2 Position Captive Screw 5mm Spacing	
<b>Controls</b>		
Level Control	Qty 2, Removable Knobs with Security Covers	
Operation Mode Switch	Stereo or Bridge	
<b>Indicators</b>		
Input Signal	Green, 25mV On Threshold, Qty 2	
Peak	Red, -3dB Before Clip, Qty 2	
Power	Blue	
<b>Electrical</b>		
Frequency Response	20Hz - 20kHz (±3dB)	
THD	1% & 1kHz	
Signal to Noise	80dBV	
<b>Mounting</b>		
Velcro	Industrial Grade, Included	
Brackets	Qty 2, Included	
TSD-RMK	Optional 1 RU Rack Mount Panel (Supports 4 TSD Units)	
Cable Retainer	Qty 2, Included	
<b>Power Requirements</b>		
	8 Ohm	4 Ohm
Voltage	24VDC 500mA	24VDC 1000mA
Idle Current	50mA	50mA
Idle VA Watts	1.2W	1.2W
Average Current	160mA	320mA
Average VA Watts	11W	22W
Max Current	490mA	980mA
Max VA Watts	36W	72W
<b>Dimensions</b>	H 1.5" (39mm) x W 4" (101mm) x D 2.75" (70mm)	
<b>Weight</b>	6oz, .165kg	
<b>Accessories</b>		
TSD 24VDC Power Supplies		
TSD-RMK 1 RU Rack Panel		
<b>Safety and Certifications</b>		
External Power Supply	cUL, CE, RoHS, TUV	

# Block Diagram



POSITION	FUNCTION
1,2 5,6 8,9	STEREO
2,3 6,7 9,10	BRIDGE

©2010 Atlas Sound L.P. All rights reserved. Atlas Sound and Strategy Series are trademarks of Atlas Sound L.P. All other trademarks are the property of their respective owners. AT5003824 RevA 4/10