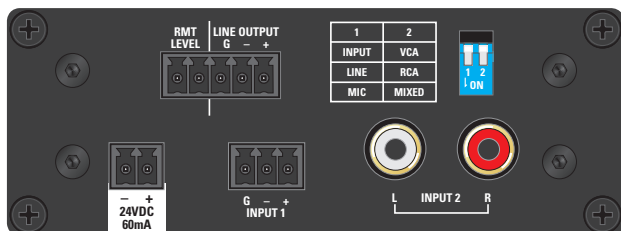
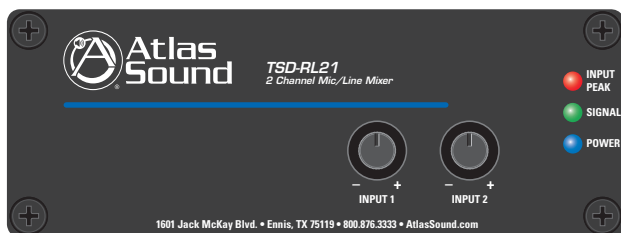




# TSD-RL21

## 2 x 1 Mic/Line Mixer with Remote Level



TSD-RL21

### Atlas Time Saving Devices

New Atlas Sound Time Saving Devices are designed to solve some of the common audio system problems in the easiest and in the most efficient and cost-effective way. Utilizing the highest quality components and inspired by real world installation issues, the Atlas Sound TSDs include mixers, amplifiers, preamps, and other distribution and control devices to simplify your connections, provide specific application needs, and add flexibility in expansion and changes that prevent expensive system overhauls.

The Time Saving Devices are loaded with features making it versatile and user friendly. The TSD design mandate was to make the installation quick and reliable, saving you valuable time and money. Each model is housed in a compact 1.5" x 4" x 2.75" footprint that allows for placement almost anywhere. Common features include removable individual I/O connectors for quick and precise wiring, separate ground terminals for all I/Os assuring secured connections, and removable level controls that can be replaced with a tamper-resistant security cover.

### Description

The versatile Atlas Sound TSD-RL21 2x1 mic/line mixer is ideal for applications where paging, public address, and BGM music is required.

Use as a standalone remote mixer or in conjunction with Atlas Sound power amplifiers in applications such as conference center meeting rooms, football stadiums, gymnasiums, retail/hospitality or other areas requiring versatile, multi source mix control.

Channel one may be configured via rear panel dipswitch to accommodate mic or line level while channel two features a stereo summing RCA line level input. Both inputs are adjustable by front panel controls with removable knobs, which may be easily replaced by security covers to prevent tampering.

The remote level control feature allows use of the Atlas Sound AAVC-10K (or equal) decorative wall plate control for convenient remote adjustment of either the entire mix bus or RCA input 2 only (the typical BGM input).

The TSD-RL21 is highly efficient and meets Energy Star™ standards as one 24V DC power supply (available separately) can power multiple Atlas Time Saving Devices.

### Installation

- Churches
- Restaurants
- Sports Bars
- Schools
- Industrial Facilities
- House of Worship

### Features

- Selectable Balanced Mic or Line Input
- RCA Actively Summed Input
- High Gain Mic Input 50dB
- Balanced Line Out
- Input Peak & Signal Indicator LEDs
- Remote Level Control Assignable to the Mixed Signal or to a BGM Source
- High Gain Output for Driving Long Balanced Lines
- Cable Management System
- Multiple Mounting Configurations
- Separate Ground Connections
- Removable Phoenix Style I/O Connectors
- Meets Energy Star™ Standards
- Compact Chassis Design

### Audio Applications

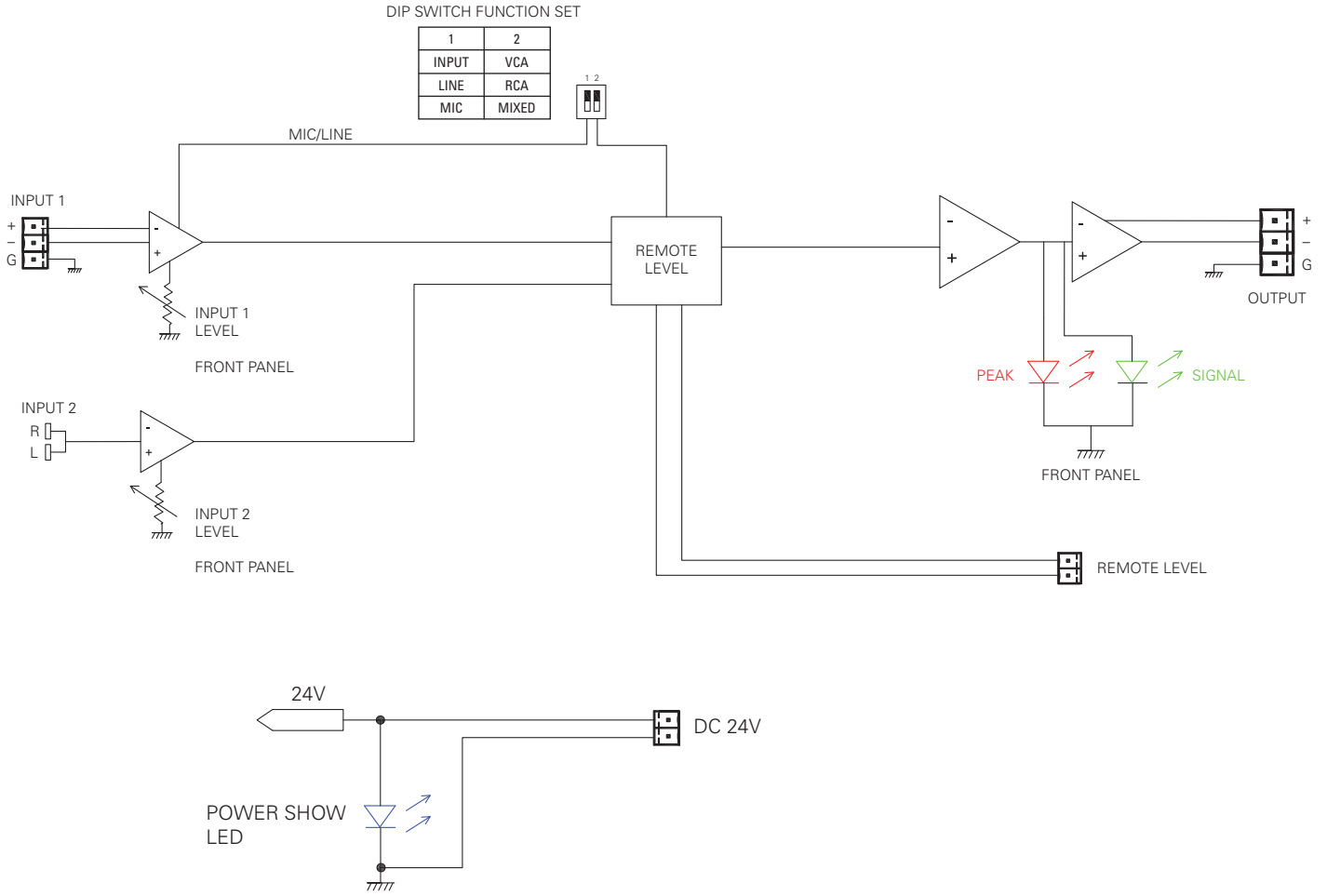
- Mixer
- Mic Preamp
- Line Preamp
- Stereo Summing Preamp
- Line Drive
- Remote Level Control

©2011 Atlas Sound L.P. All rights reserved. Atlas Sound is a trademark of Atlas Sound L.P. All other trademarks are the property of their respective owners.

## Specifications

<b>Description</b>	2 x 1 Mic/Line Mixer with Remote Level
<b>Chassis Color</b>	Black
<b>Chassis Material</b>	Aluminum
<b>Inputs</b>	
Type	Qty 1, Unbalanced
Connection	RCA Left & Right Actively Summed
Impedance	10K $\Omega$
Input Level	316mV (-10dBV) = 2V (+6dBV) Balanced Output, Maximum Input 1.6V (4.1dBV)
Type	Qty 1, Balanced Mic or Line Selectable
Connection	Removable 3 Position Captive Screw 3.5mm Spacing
Impedance	1.2K $\Omega$ Balanced, 600 $\Omega$ Unbalanced
Line Input Level	1V (0dBV) Balanced = 2V (+6dBV) Balanced Output, Maximum Input 6V (15dBV)
Mic Input Level	46dB Gain 10mV (-40dB) Balanced = 2V (+6dBV) Balanced Output, Maximum Input 40mV (-27dBV)
<b>Outputs</b>	
Type	Qty 1, Balanced Line
Connection	Removable 3 Position Captive Screw 3.5mm Spacing
Impedance	300 $\Omega$ Balanced, 150 $\Omega$ Unbalanced
Line Output Level	1V (0dBV) In = 2V (+6dBV), Maximum Output 6V (15dBV)
<b>Controls</b>	
Input Level Control	Qty 2, Removable Knobs with Security Covers
Remote Level	Control Port 10K External Pot, Removable 2 Position Captive Screw 3.5mm Spacing
Dip Switch Function	<ul style="list-style-type: none"><li>• Input 1, Mic/Line Select</li><li>• Remote Level Assign, Mix or Input 2</li></ul>
<b>Indicators</b>	
Input Signal	Green, 25mV On Threshold
Input Peak	Red, -3dB Before Clip
Power	Blue
<b>Electrical</b>	
Frequency Response	20Hz - 20kHz ( $\pm$ 1dB)
THD	.06% & 1kHz
Signal to Noise	Line to Line: 85dBV Mic to Line: 70dBV
<b>Mounting</b>	
Velcro	Industrial-Grade, Included
Brackets	Qty 2, Included
TSD-RMK	Optional 1 RU Rack Mount Panel (Supports 4 TSD Units)
Cable Retainer	Qty 2, Included
<b>Power Requirements</b>	
Voltage	24VDC
Power Consumption	60mA
Power Consumption	1.4W
<b>Dimensions</b>	
	H 1.5" (39mm) x W 4" (101mm) x D 2.75" (70mm)
<b>Weight</b>	
	6oz, .165kg
<b>Accessories</b>	
TSD 24VDC Power Supplies	
TSD-RMK 1 RU Rack Panel	
<b>Safety and Certifications</b>	
External Power Supply	cUL, CE, RoHS, TUV

# Block Diagram



©2011 Atlas Sound L.P. All rights reserved. Atlas Sound is a trademark of Atlas Sound L.P. All other trademarks are the property of their respective owners.