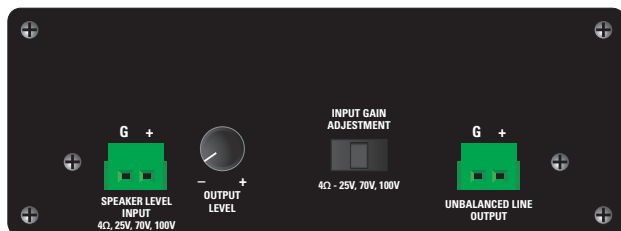
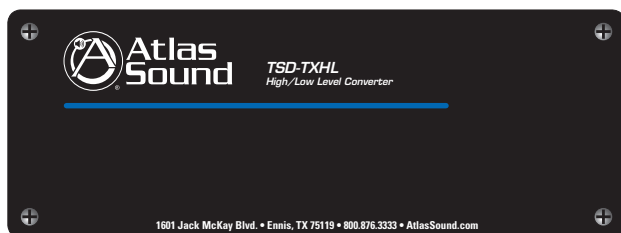




# TSD-TXHL

## High/Low Level Converter



**TSD-TXHL**

### Features

- Speaker to Line Level Conversion
- Works with 4Ω/25V/70V/100V Speaker Systems
- Variable Output Level
- Transformer Isolated
- Trim Level Control
- Cable Management System
- Multiple Mounting Configurations
- Wide Bandwidth Frequency Response
- Separate Ground Connections
- Removable I/O Connectors
- No External Power Required
- Compact Chassis Design

### Audio Applications

- System Isolation
- Level Matching
- Add a Zone Anywhere a Speaker System Exists

### Atlas Time Saving Devices

New Atlas Sound Time Saving Devices are designed to solve some of the common audio system problems in the easiest and in the most efficient and cost-effective way. Utilizing the highest quality components and inspired by real world installation issues, the Atlas Sound TSDs include mixers, amplifiers, preamps, and other distribution and control devices to simplify your connections, provide specific application needs, and add flexibility in expansion and changes that prevent expensive system overhauls.

The Time Saving Devices are loaded with features making it versatile and user friendly. The TSD design mandate was to make the installation quick and reliable, saving you valuable time and money. Each model is housed in a compact 1.5" x 4" x 2.75" footprint that allows for placement almost anywhere. Common features include removable individual I/O connectors for quick and precise wiring, separate ground terminals for all I/Os assuring secured connections, and removable level controls that can be replaced with a tamper-proof security cover.

### Description

The Atlas Sound TSD-TXHL is a high to low level converter designed to interface with 4Ω/25V/70V/100V distributed speaker lines. An unbalanced line level output is provided to drive remote amplifiers or other devices. The TSD-TXHL allows easy expansion of zones without the need for dedicated wiring to remote locations. The high to low-level converter features an isolated transformer, which will not add measurable load to the speaker line. An output level control allows for trim adjustment to best match the remote amplifier (or other device) input sensitivity. The TSD-TXHL works perfectly in conjunction with Atlas Sound's CP and PA series.

### Installation

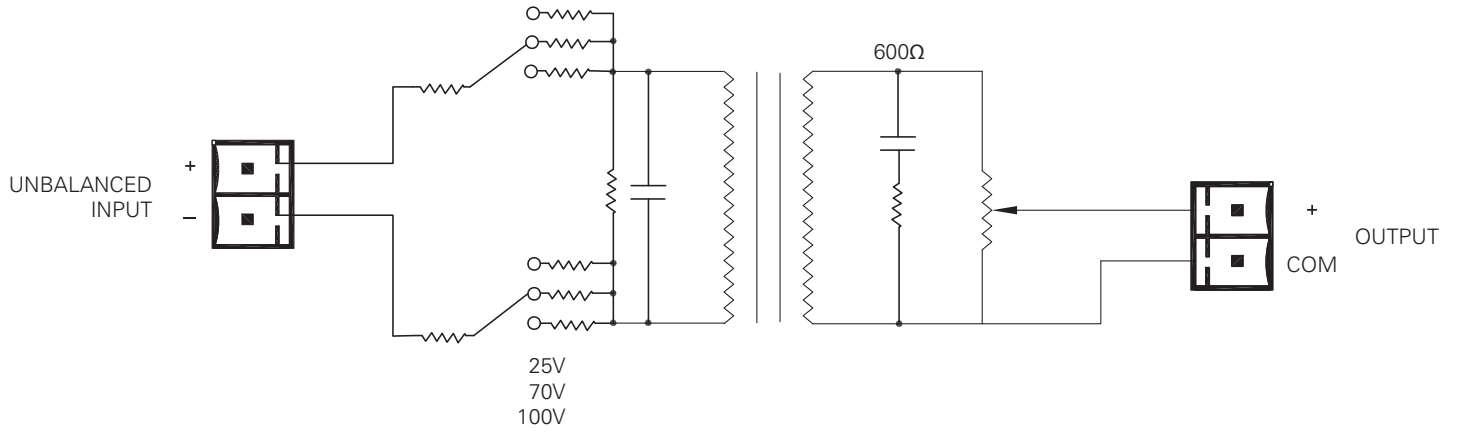
- Government Buildings
- Medical Facilities
- Office Environments
- Churches
- Restaurants
- Schools
- Industrial Facilities
- House of Worship

©2010 Atlas Sound L.P. All rights reserved. Atlas Sound and Strategy Series are trademarks of Atlas Sound L.P. All other trademarks are the property of their respective owners. AT5003821 RevA 4/10

## Specifications

<b>Description</b>	High Level to Line Level Converter and Signal Isolator
<b>Chassis Color</b>	Black
<b>Chassis Material</b>	Aluminum
<b>Inputs</b>	
High Level Input Connection	Qty 1, Amplifier Speaker Outputs 4Ω, 8Ω, 25V, 70V, 100V Removable 2 Position Captive Screw 3.5mm Spacing
<b>Outputs</b>	
Type Connection	Qty 1, Unbalanced Line Removable 2 Position Captive Screw 3.5mm Spacing
Impedance	600Ω Unbalanced
Line Output Level	Max Output 1V ±10%
<b>Controls</b>	
Level Control	Qty 1, Removable Knob with Security Cover
Input Level Adjustment	Three Selections 4Ω -25V, 70V, 100V
<b>Electrical</b>	
Transformer	Isolation Step Down
Frequency Response	40Hz - 25kHz (-3dB)
<b>Mounting</b>	
Velcro	Industrial Grade, Included
Brackets	Qty 2, Included
TSD-RMK	Optional 1 RU Rack Mount Panel (Supports 4 TSD Units)
Cable Retainer	Qty 2, Included
<b>Power Requirements</b>	
None	Passive
<b>Dimensions</b>	H 1.5" (39mm) x W 4" (101mm) x D 2.75" (70mm)
<b>Weight</b>	6oz, .165kg

# Block Diagram



©2010 Atlas Sound L.P. All rights reserved. Atlas Sound and Strategy Series are trademarks of Atlas Sound L.P. All other trademarks are the property of their respective owners. AT5003821 RevA 4/10