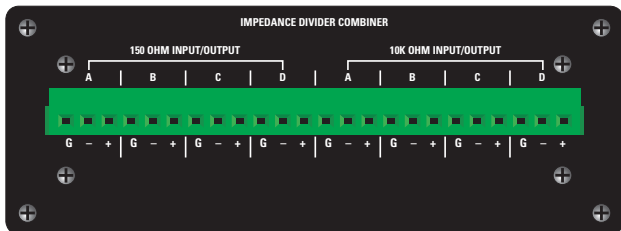
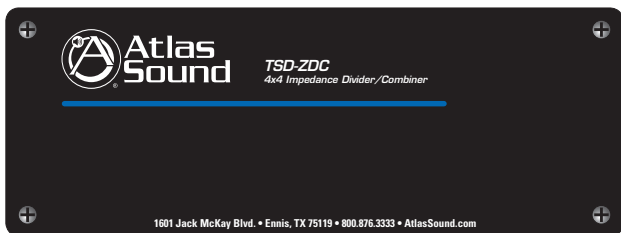




TSD-ZDC

4 x 4 Impedance Divider/Combiner



TSD-ZDC

Atlas Time Saving Devices

New Atlas Sound Time Saving Devices are designed to solve some of the common audio system problems in the easiest and in the most efficient and cost-effective way. Utilizing the highest quality components and inspired by real world installation issues, the Atlas Sound TSDs include mixers, amplifiers, preamps, and other distribution and control devices to simplify your connections, provide specific application needs, and add flexibility in expansion and changes that prevent expensive system overhauls.

The Time Saving Devices are loaded with features making it versatile and user friendly. The TSD design mandate was to make the installation quick and reliable, saving you valuable time and money. Each model is housed in a compact 1.5" x 4" x 2.75" footprint that allows for placement almost anywhere. Common features include removable individual I/O connectors for quick and precise wiring, separate ground terminals for all I/Os assuring secured connections, and removable level controls that can be replaced with a tamper-proof security cover.

Description

The Atlas Sound TSD-ZDC is a universal impedance divider/combiner for passively summing or splitting of mic or line level signals.

Features include four balanced 10K and four balanced 150Ω inputs/outputs that may be passively split or combined in any arrangement.

Typical applications include:

- *Passive summation of multiple 150Ω mics or stereo 10K sources
- *Passive splitting of 150Ω or 10K input sources to multiple outputs

To ease contractor use and installation the TSD-ZDC includes individual ground connectors for each input/output. The unit's compact footprint allows easy standalone mounting or an optional rack mount adapter may be used to facilitate up to (4) TSD devices.

Installation

- Government Buildings
- Medical Facilities
- Office Environments
- Churches
- Restaurants
- Schools
- Industrial Facilities
- House of Worship

Features

- 1 In x 3 Out, 2 In x 2 Out, 150Ω Input/Outputs
- 1 In x 3 Out, 2 In x 2 Out, 10K Input/Outputs
- Split or Combine Any Signal
- RF Filtering on All Inputs
- Individual Input Grounds
- Removable I/O Connectors
- No External Power Required
- Compact Chassis Design

Audio Applications

- Combine up to 3 Microphones to One Output
- Divide a Signal Microphone Signal to Three Mic Outputs
- Combine Stereo Signals Into a Mono Signal
- Divide a Mono Line Level Signal to a Simulated Stereo Signal
- Add a Zone

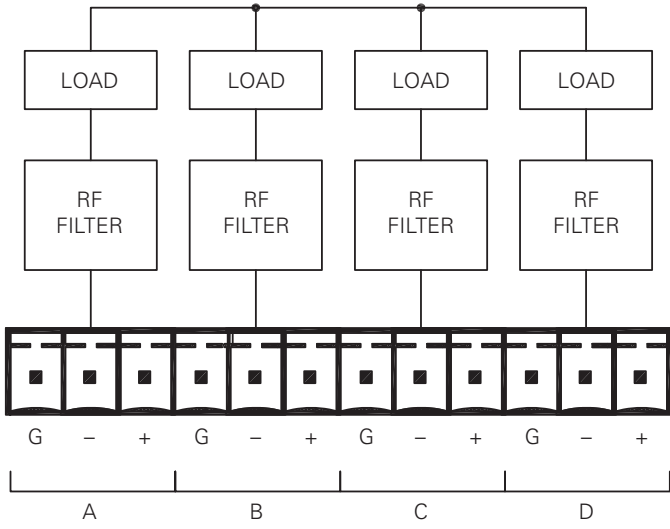
Atlas Sound and Strategy Series are trademarks of Atlas Sound L.P. All other trademarks are the property of their respective owners. AT5003820 RevA 4/10

©2010 Atlas Sound L.P. All rights reserved.

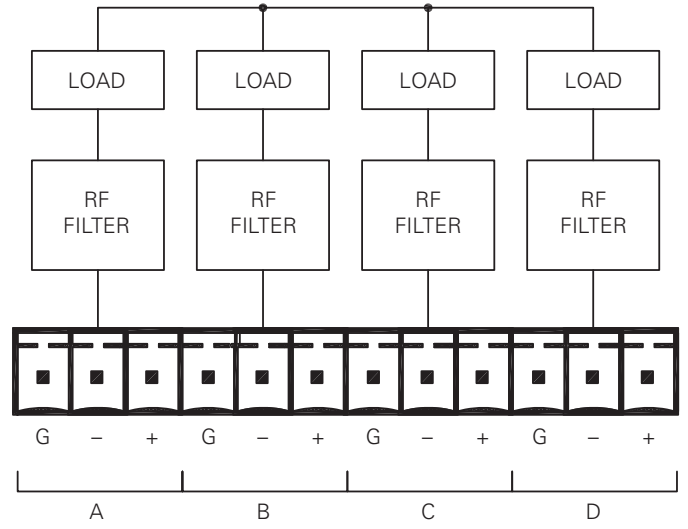
Specifications

Description	Audio Impedance Combiner/Divider
Chassis Color	Black
Chassis Material	Aluminum
Inputs/Outputs	
150Ω Network	Qty4, Passive Balanced Networks, Any Channel Can Be Used for Input or Output
10KΩ Network	Qty4, Passive Balanced Networks, Any Channel Can Be Used for Input or Output
Connection	Removable 3 Position Captive Screw 3.5mm Spacing
Electrical	
Isolation	Passive
Filters	RF
Frequency Response	20Hz - 20kHz (-1dB)
Mounting	
Velcro	Industrial Grade, Included
Brackets	Qty 2, Included
TSD-RMK	Optional 1 RU Rack Mount Panel (Supports 4 TSD Units)
Cable Retainer	Qty 2, Included
Power Requirements	
None	Passive
Dimensions	H 1.5" (39mm) x W 4" (101mm) x D 2.75" (70mm)
Weight	6oz, .165kg

Block Diagram



ZDC 150 OHM BLOCK DIAGRAM



ZDC 10K OHM BLOCK DIAGRAM