

2/4/8-Port 350MHz Video Splitter

VS-201H
VS-401H
VS-801H

User Manual

◀ V2.2 ▶



DataBay

www.databay.com.tw

www.green-box.com.tw

1. Package Content

VS-201H/VS-401H/VS-801H VGA Splitter:

- 2/4/8-Port VGA Splitter x 1
- VGA Cable x 1 (option)
- DC Power Adapter x 1
- User Manual x 1

2. Product Introduction

The main function of VS-201H/VS-401H/VS-801H is broadcasting one VGA source to multiple monitors each at 350MHz video outputs. It allows VGA Screen sharing multiple devices, including the projector, PDP, LCD TV. In addition, they also transfer the video signals within distances up to 65m. The Video Splitters is applied popularly to teaching/training program, media, conferences, and public transportation or display, etc.

3. Product Features

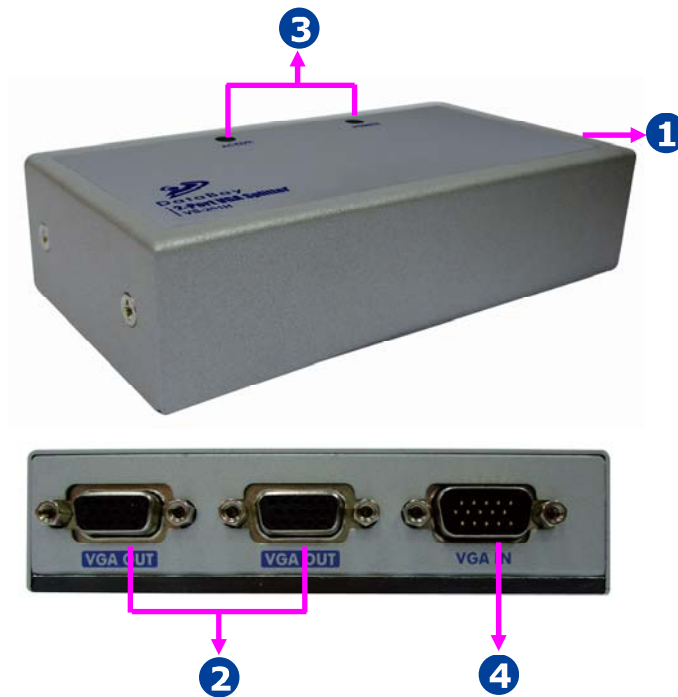
- Multiply one VGA source to 2/4/8 VGA outputs
- Effective extended distance: 65M (200ft)
- Compatible with VGA, SVGA, XGA, Multi-sync, TFT-LCD monitors
- Supports DDC, DDC2, DDC2B functions for optimum setup
- Easy cascading to increase VGA outputs
- Bottom design with magnetic pad is easy to install on any metallic plane

4. Application

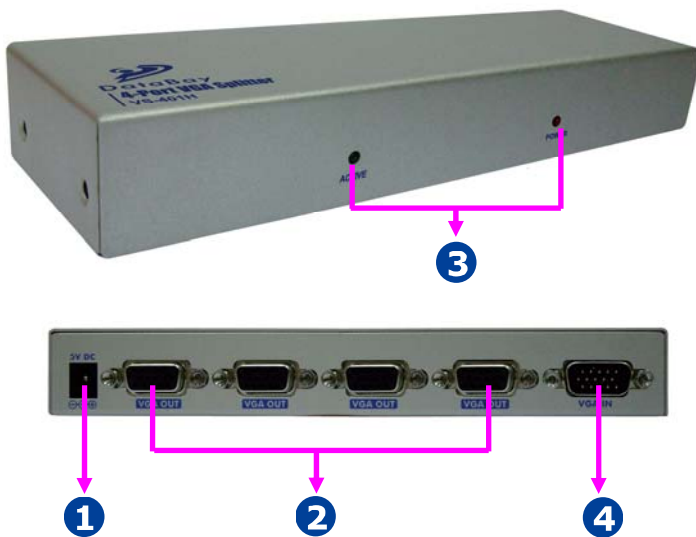
- Multimedia presentations & public exhibits
- Simple PC training system
- Video conference & business meeting
- Monitor testing and bum-in

5. Product Descriptions

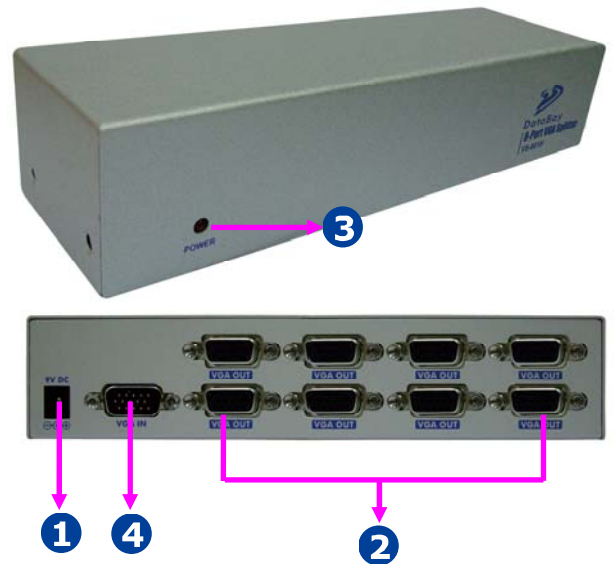
■ VS-201H



■ VS-401H



■ VS-801H



- 1 Power
- 2 To Monitor
- 3 Status Display
- 4 VGA Input (To PC)

6. Installation and Operation

6.1 Installation

- (1) Plug the power adapter into the video splitter, the front panel's power LED should turn Blue.
- (2) Use VGA Cable (Male-Female), plug female connector to video splitter's "INPUT", the other male connector to VGA resource (PC/Notebook's VGA port or standard VGA output port). If a VGA signal is detected, the front panel's active LED should turn Red.
- (3) Plug the connector of VGA output device, VGA monitor or projector, to the "Monitor" port of video splitter. Please notify that the VGA output range should under the Input range of monitor.
- (4) You may use additional VGA cable to extend the monitor connection. The VGA cable should satisfy the UI2919 standard to provide optimum display.

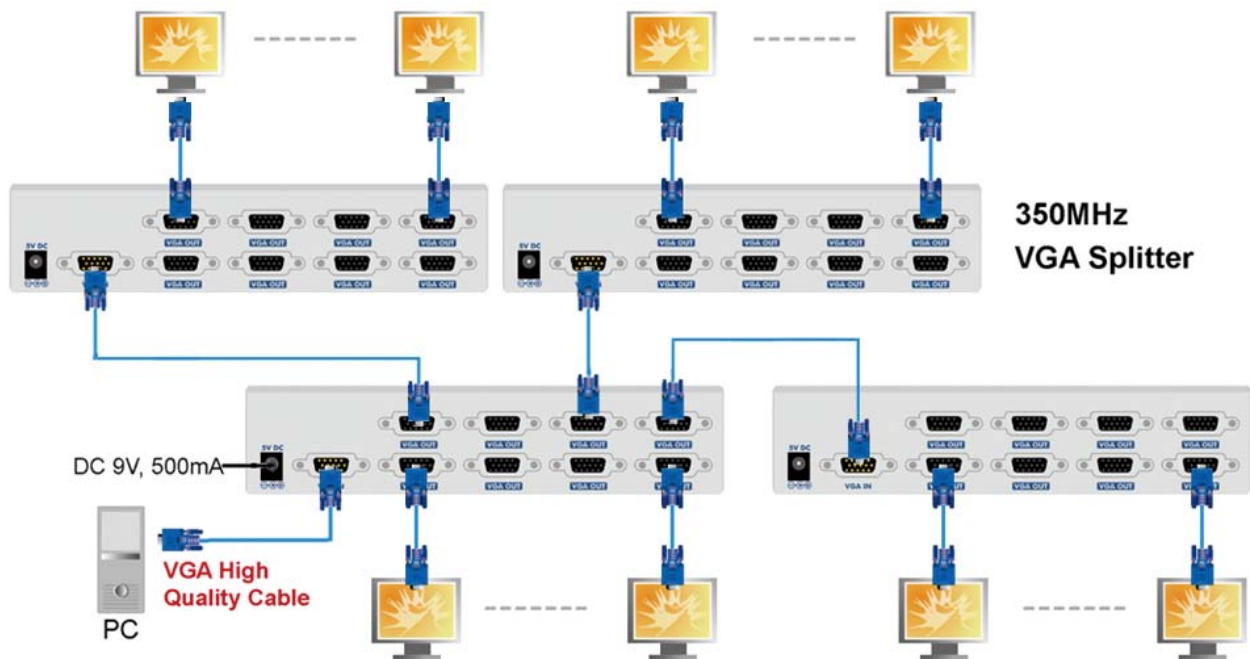
6.2 Product Connection

■ 2-Port Video Splitter Connection



***Send PC's Screen to
Projector, PDP or LCD TV,
also to local Monitor***

■ 4/8-Port Video Splitter Connection



Broadcast one VGA source to multiple monitors

6.3 Operation

- (1) **ACTIVE LED turns Red:** VGA signal is connected.
- (2) **POWER LED turns Blue:** Power adapter is on.

7. Specifications

Model Name		Video Splitters - Multiply One VGA source to the VGA Signal outputs, 350MHz	Video Splitters - Multiply one VGA source to 4 VGA outputs, 350MHz	Video Splitters - Multiply one VGA source to 8 VGA outputs, 350MHz
Model No.		VS-201H	VS-401H	VS-801H
Monitor Wires		VGA Cable 1M		
Cable Distance		65m (200 feet) Max		
Signal Type		VGA, SVGA, XGA, Multi-sync, TFT-LCD monitor		
VGA Bandwidth		350MHz (Resolution up to 2048x1536)		
Connector	Input	1 x HD15, Male		
	Output	2 x HD15, Female	4 x HD15, Female	8 x HD15, Female
LED Display		Power Indicator x 1, Active Indicator x 1		
Housing		Metal		
Power Input		DC 5V		DC 9V
Dimension (LxWxH)		113x58x28 mm	200x58x28 mm	200x58x42 mm

8. Remarks

- I. Before operating this system, please read operation manual carefully.
- II. Please use correct power adapter and use high quality cable for optimum broadcasting.
- III. To prevent potential power damage, please don't use 2-wire extension cord and ensure AC outlets at relative devices on the same electronic phase and have correct grounding.
- IV. Limited Warranty:
 - (1) In no events shall the vendor's liability for direct or indirect, special, incidental or consequential damages, loss of profit, loss of business, or financial loss which may be caused by the use of the product exceeds the price paid for the product.
 - (2) The vendor makes no warranty or representation, expressed or implied with respect to the contents or use of this documentation, and especially disclaims its quality, performance, merchantability, or fitness for any particular purpose.
 - (3) The vendor also reserves the right to revise or update the product or documentation without obligation to notify any user of such revisions or updates. For further information please contact your vendor.

9. Notice

1. All other company or product names mentioned herein are trademarks or registered trademarks of their respective companies.
2. Specifications are subject to change without notice.
3. Please read user manual carefully before operating the device
4. Please use the power adaptor accompanied with this product. Warranty does not cover for damages caused by pairing other power adaptor
5. Please check all connecting devices are properly grounded to avoid electric failure
6. This product has limited warranty for one year from defects in material and workmanship. Items that are physically damaged, misused, tempered with or altered are void of warranty. For further details please contact your distributor. In case warranty sticker is damaged or missing, warranty is void. For further details please contact your distributor.

Certifications

FCC

This equipment has been tested and found to comply with Part 15 of the FCC Rules.

Operation is subject to the following two conditions:

- (1) This device may not cause harmful interference
- (2) This device must accept any interference received, including interference that may cause undesired operation.

CE

This equipment is in compliance with the requirements of the following regulations:

EN 55022: CLASS B

RoHS

All contents of this package, including products, packing materials and documentation comply with RoHS.



© 2009 by Green-Box

Green-Box Technology Co. Ltd. reserves the right to make changes in the hardware, packaging, and any accompanying documentation without prior written notice.

No part of this document may be reproduced or transmitted in any form or by any means, electronic, mechanical, photocopying, recording, or otherwise, without prior written permission of Green-Box Technology Co. Ltd.

P/N: CDDMVS000001D1